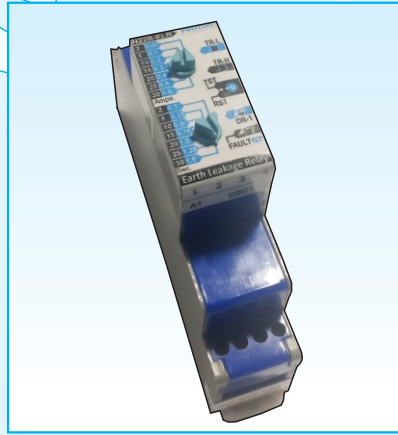


PROTIME[®]



N22B Series Relay

N22B - ELR

Special Features

- Most compact Wide Setting range ELR
- Micro controller based True RMS Measurement
- Tripping ranges in 14 steps
- Wide Time delay range in one unit
- User selectable Auto/Manual Reset
- Interchangeable with any size of Prottime's "B" series CBCTs

Technical Data

- | | |
|--------------------------|----------------------------------------------------------------------|
| 1) Supply Voltage- | 2=180-250V AC/DC* |
| 2) Output Contacts- | One change over (potential free) |
| 3) Switching duty- | 6A resistive at 250V AC or 24V DC |
| 4) Electrical Life- | 10 ⁵ operation at designed switching duty |
| 5) Relay Status- | Normal = De-energised in normal conditions |
| 6) Signal- | From "PROTIME" CBCT |
| 7) Ranges- | 30mA-100mA-200mA-300mA-400mA-500mA-1A
/ 2A-5A-10A-15A-20A-25A-30A |
| 8) Time Delays- | 0.1 Sec - 30Sec |
| 9) Reset- | User selectable Auto/Manual Reset |
| 10) Mounting- | Din channel |
| 11) Approximate Weight- | 100gm |
| 12) Dimension- | 22.5mm(W) X 110(D) X 73.5mm(H) |
| 13) ENCLOSURE- | ABS Type = N22 |
| 14) Operating Temp & RH- | 10°C, +55°C up to 80% |

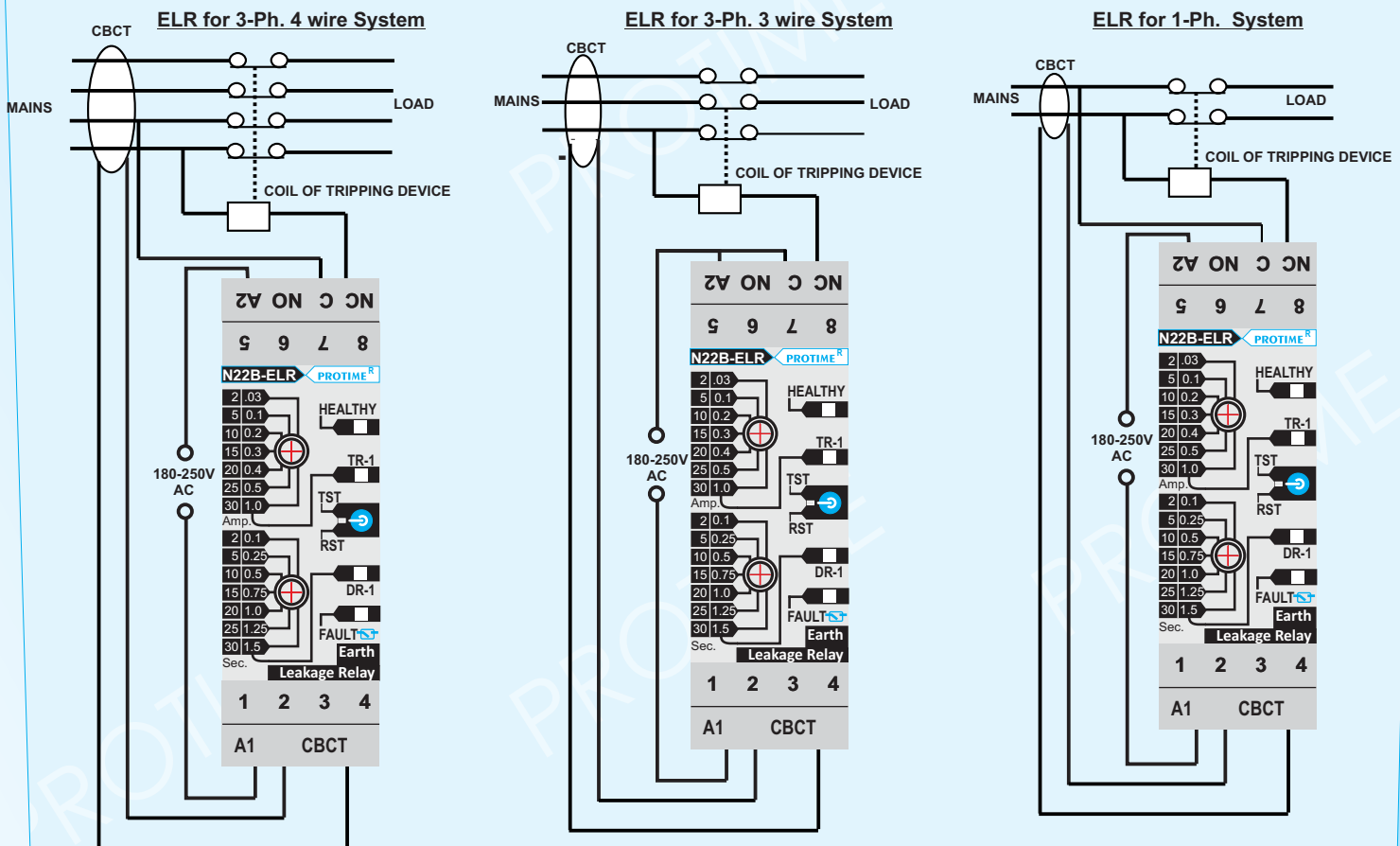
Applications:

**Distribution Panel Boards
Motors / Pump Panel Board
Generators
Transformers etc.**

OPERATION

The N22B-ELR senses the Earth leakage current for any equipments like L. T. Panels, Switch boards, Generators, Transformers, Motors etc. These leakage current if continues can cause insulation breakdown resulting Earth fault, which results in to loss of life or damage to equipment. The PROTImE Earth leakage relay senses leakage current through CBCT & energises relay when current goes out of the tripping range (30mA-30A) selected on the micro rotary switch. The Relays are provided with user settable (0.1 - 30 Sec) time delay. The CBCT is connected externally with the Busbar or cable carrying load current passed through it.

Connection Details:



HOW TO ORDER ?

Ordering Pattern (example)- **N22B-ELR-A-2**

N22B-EFR - **A** - **2**

Code

Tripping Range
A-30mA-30A

Supply

- 1=90-120V AC
- 2=180-250V AC
- 3=350-400V AC
- 4=380-450V AC
- 5=24V DC