

# Tools From Professional For Professionals



**Sabsons**<sup>®</sup>

## HEAVY DUTY SINGLE HEX IMPACT SOCKETS

SQ. DRIVE	SOCKET WRENCH A/F SIZE	
3/8" (METRIC) (SAE)	6, 7, 8, 9, 10, 11, 12, 13, 14, 15, 16, 17, 18, 19, 20, 21, 22, 24 1/4, 5/16, 3/8, 7/16, 1/2, 9/16, 5/8, 11/16, 3/4, 13/16, 7/8, 15/16, 1	
1/2" (METRIC) (SAE)	8, 9, 10, 11, 12, 13, 14, 15, 16, 17, 18, 19, 20, 21, 22, 23, 24, 25, 26, 27, 28, 29, 30, 31, 32 3/8, 7/16, 1/2, 9/16, 5/8, 11/16, 3/4, 13/16, 7/8, 15/16, 1, 1 1/16, 1 1/8, 1 1/4	
3/4" (METRIC) (SAE)	19, 22, 24, 27, 30, 32, 36, 38, 41, 46, 50, 55, 60, 65, 70, 75, 80 9/16, 5/8, 11/16, 3/4, 13/16, 7/8, 15/16, 1, 1 1/16, 1 1/8, 1 1/4, 1 5/16, 1 3/8, 1 7/16, 1 1/2, 1 9/16, 1 5/8, 1 11/16, 1 3/4, 1 13/16, 1 7/8, 2, 2 1/4, 2 1/2, 2 3/4, 3	
1" (METRIC) (SAE)	27, 30, 32, 36, 38, 41, 46, 50, 55, 60, 65, 70, 75, 80, 85 1 1/16, 1 1/8, 1 1/4, 1 5/16, 1 3/8, 1 7/16, 1 1/2, 1 5/8, 1 11/16, 1 3/4, 1 13/16, 1 7/8, 1 15/16, 2, 2 1/16, 2 1/8, 2 3/16, 2 1/4, 2 3/8, 2 7/16, 2 1/2, 2 9/16, 2 5/8, 2 3/4, 2 13/16, 2 15/16, 3, 3 1/8, 3 1/4, 3 1/2	
1 1/2" (METRIC) (SAE)	36, 38, 41, 46, 50, 55, 60, 65, 70, 75, 80, 85, 90, 95, 100, 105, 110, 115, 120 1 3/8, 1 7/16, 1 1/2, 1 5/8, 1 11/16, 1 3/4, 1 13/16, 1 7/8, 2, 2 1/16, 2 1/8, 2 3/16, 2 1/4, 2 3/8, 2 7/16, 2 9/16, 2 5/8, 2 3/4, 2 13/16, 2 15/16, 3, 3 1/8, 3 1/4, 3 1/2, 3 3/4, 3 7/8, 4 1/8, 4 1/4, 4 1/2, 4 5/8, 4 7/8, 5	
2 1/2" (METRIC) (SAE)	60, 65, 70, 75, 80, 85, 90, 95, 100, 105, 110, 115, 120, 125, 130, 135, 140 145, 150, 155, 160, 170, 180 2 1/4, 2 3/8, 2 7/16, 2 5/8, 2 9/16, 2 3/4, 2 13/16, 2 15/16, 3, 3 1/8, 3 3/8, 3 1/2, 3 3/4, 3 7/8, 4 1/8, 4 1/4, 4 1/2, 4 5/8, 4 7/8, 5, 5 1/4, 5 3/8, 5 5/8, 5 3/4, 6, 6 1/8, 6 1/4	



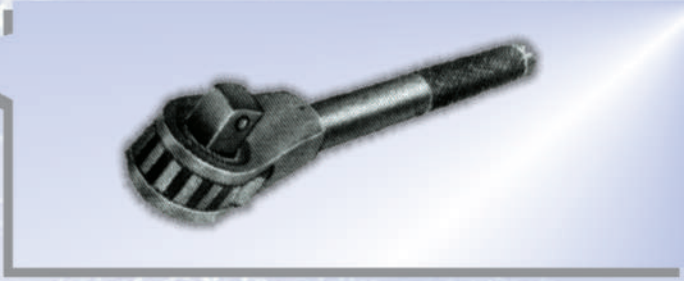
\* Sizes not mentioned above also available on request.  
\* Sockets available on bolts std. & deep Length.

## IMPACT ACCESSORIES



HEAVY DUTY IMPACT EXTENSION BARS							
SIZE	OAL (mm)						
3/8" □	75	100	125	150	200	250	300
1/2" □	75	100	125	150	200	250	300
3/4" □	75	125	175	210	250	330	430
1" □	100	125	150	180	200	250	330, 400
1 1/2" □	150	200	300	400	500	750	

HEAVY DUTY INDUSTRIAL RATCHETS	
SIZE	OAL (mm)
3/8" □	200
1/2" □	265
3/4" □	500
1" □	610



HEAVY DUTY IMPACT ADAPTORS							
SIZE	OAL (mm)	SIZE	OAL (mm)				
3/8"F X 1/2"M	35	3/4"F X 1"M	64				
3/8"F X 3/8"M	32	3/4"F X 3/4"M	60				
1/2"F X 3/8"M	40	1"F X 3/4"M	70				
1/2"F X 3/4"M	50	1"F X 1"M	75				
1/2"F X 1/2"M	40	1"F X 1 1/2"M	75				
3/4"F X 1/2"M	56	1 1/2"F X 1"M	100				
		1 1/2"F X 1 1/2"M	105				

## IMPACT ACCESSORIES CONTD...



### HEAVY DUTY IMPACT HEX. BIT SOCKETS

SQ. DRIVE		METRIC SIZES (HEX A/F)			INCH SIZES (HEX A/F)	
3/8"	□	4MM	—	14MM	*	5/32" — 9/16"
1/2"	□	5MM	—	19MM	*	3/16" — 3/4"
3/4"	□	10MM	—	27MM	*	3/8" — 1.1/8"
1"	□	14MM	—	36MM	*	9/16" — 1.5/16"

### HEAVY DUTY 'T' HANDLE

SQUARE DRIVE	APPROX. OAL
3/8" (10 mm.)	250
1/2" (12.5 mm.)	300
3/4" (20 mm.)	500
1" (25 mm.)	750
1.1/2" (38 mm.)	920



### HEAVY DUTY IMPACT UNIVERSAL JOINTS

SIZE	OAL (mm)
3/8" □	52
1/2" □	68
3/4" □	99
1" □	125

## EXTRA HEAVY DUTY SLUGGING WRENCHES



### FEATURES :

- One Piece Forged Construction
- Extra Heavy Duty High Impact Resistant
- Greater Head Depth
- Guaranteed Against Premature Failure
- Large Striking Face

### TYPES :

- Straight Ring Type
- Straight Box Ring Type
- Podger / Tommy Type
- Square Drive Type
- Open Jaw Type & Offset Type

WRENCH SIZE		STRAIGHT BI-HEX SLUGGING WRENCHES			BOX BI-HEX SLUGGING WRENCHES			OPEN JAW SLUGGING WRENCHES			OFFSET BI-HEX SLUGGING WRENCHES		
METRIC	SAE	T	D	OAL	T	D	OAL	T	D	OAL	T	D	OAL
24	15/16	17	47	180	40	47	180	17	58	175	22	47	260
27	1.1/16	17	47	180	40	47	180	17	58	175	22	47	260
30	1.1/8	18	54	195	40	54	195	18	66	190	25	54	270
32	1.1/4	18	54	195	45	54	195	18	66	190	25	54	270
34	1.5/16	18	54	195	45	54	195	18	73	200	25	54	270
-	1.3/8	18	54	195	45	54	195	18	73	200	28	54	270
36	1.7/16	20	60	200	45	60	200	20	78	205	28	60	270
38	1.1/2	22	66	220	45	66	220	20	90	225	30	66	310
41	1.5/8	22	66	220	45	66	220	20	90	225	30	66	340
-	1.11/16	25	75	230	50	75	230	20	90	225	31	75	340
46	1.13/16	25	75	230	50	75	230	22	100	245	31	75	340
-	1.7/8	25	75	230	50	75	230	22	110	270	31	75	340
50	2	25	80	245	50	80	245	22	110	270	35	80	350
-	2.1/16	25	80	245	50	80	245	25	120	300	35	80	350
55	2.3/16	26	88	260	60	88	260	25	120	300	35	88	360
-	2.1/4	26	88	260	60	88	260	25	130	300	35	88	360
60	2.3/8	28	94	270	60	94	270	25	130	310	41	94	380
-	2.7/16	28	94	270	60	94	270	30	142	340	41	94	380
65	2.9/16	30	104	290	70	104	290	30	142	340	44	104	380
-	2.5/8	30	104	290	70	104	290	32	156	370	44	104	380
70	2.3/4	35	110	320	70	110	320	32	156	370	47	110	400
-	2.13/16	35	110	320	70	110	320	32	164	370	47	110	400
75	2.15/16	35	110	320	80	110	320	32	164	370	50	110	400
-	3	35	110	320	80	110	320	32	164	370	50	110	400
80	3.1/8	38	126	350	80	126	350	35	175	395	50	126	420
85	3.3/8	38	126	350	90	126	350	35	175	395	50	126	450
90	3.1/2	42	152	385	90	152	385	40	197	440	50	152	450
95	3.3/4	42	152	385	95	152	385	40	197	440	55	152	480
-	3.7/8	46	155	415	95	155	415	48	230	480	55	155	480
100	-	46	155	415	95	155	415	48	230	480	55	155	500
105	4.1/8	50	172	420	105	172	420	48	230	480	55	172	520
110	4.1/4	50	172	420	105	172	420	50	238	505	55	172	520
115	4.1/2	50	172	420	105	172	420	56	250	505	60	172	520
-	4.5/8	56	194	485	105	194	485	56	258	530	60	194	550
120	-	56	194	485	105	194	485	56	258	530	-	-	-
-	4.7/8	56	194	485	115	194	485	56	278	530	-	-	-
-	5	60	205	515	115	205	515	56	278	560	-	-	-
130	-	60	205	515	115	205	515	56	278	560	-	-	-
-	5.1/4	60	205	515	115	205	515	56	278	560	-	-	-
135	5.3/8	60	205	515	115	205	515	56	278	560	-	-	-
-	5.5/8	65	230	575	125	230	575	62	308	630	-	-	-
145	5.3/4	65	230	575	125	230	575	62	308	630	-	-	-
150	-	65	230	575	135	230	575	62	308	630	-	-	-
-	6	65	230	575	135	230	575	62	308	630	-	-	-
155	6.1/8	65	230	575	135	230	575	62	308	630	-	-	-
165	6.1/2	70	270	645	150	270	645	70	345	705	-	-	-
170	-	70	270	645	150	270	645	70	345	705	-	-	-
175	6.7/8	70	270	645	150	270	645	70	345	705	-	-	-
180	-	70	270	645	150	270	645	70	345	705	-	-	-
-	7.1/4	75	295	690	150	295	690	70	345	705	-	-	-
-	7.5/8	75	295	690	150	295	690	70	385	760	-	-	-
200	7.7/8	75	295	690	150	295	690	75	405	760	-	-	-
-	8	75	295	690	150	295	690	75	405	760	-	-	-
-	8.3/8	80	325	735	160	325	735	80	425	830	-	-	-
215	-	80	325	735	160	325	735	80	425	830	-	-	-
-	8.3/4	80	325	735	160	325	735	80	445	830	-	-	-
230	9.1/8	80	325	735	160	325	735	80	475	830	-	-	-

## TORQUE WRENCHES

### FEATURES

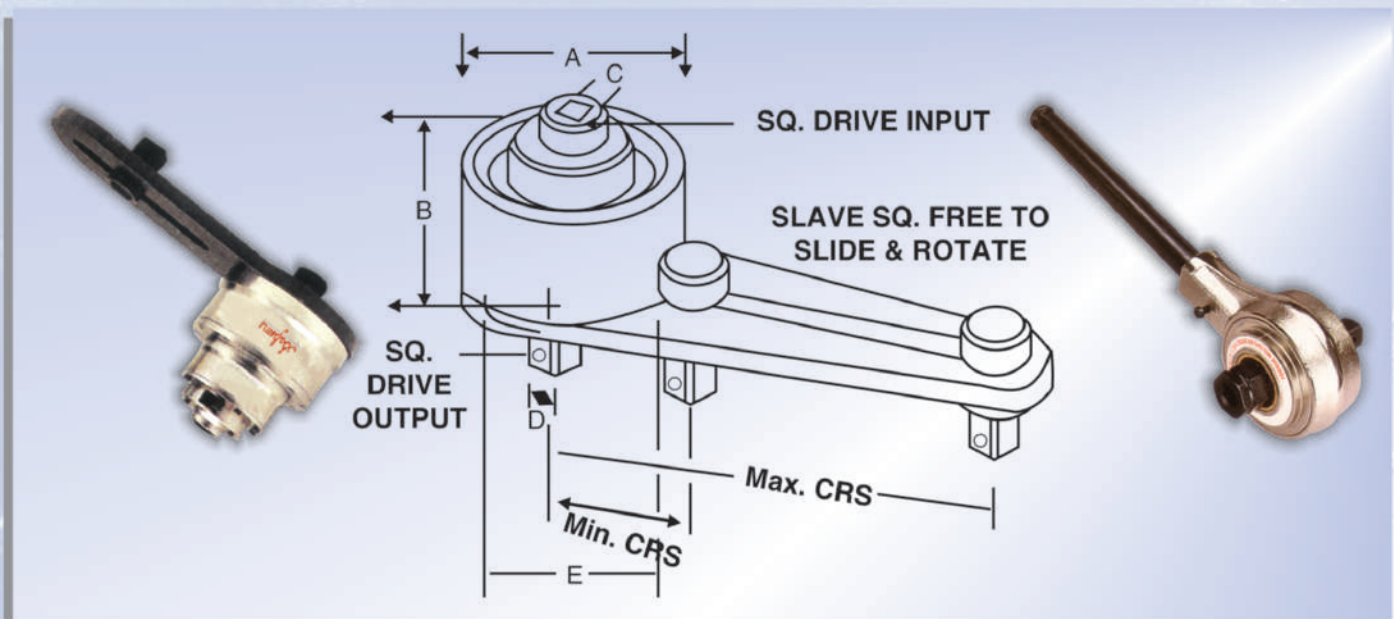
- Best in Accuracy - " 3%
- Import Substitute
- Compact and Robust
- Touch Sight & Sound Safety
- Competitive Prices



### "SAPSONS" ADJUSTABLE CLICK TYPE TORQUE WRENCHES

NON-RATCHETING	RATCHETING	TORQUE RANGE				SQ. DRIVE	OAL mm
		lb. ft.	lb. in.	Kgfm.	Nm.		
TQT-100A TQT-300A	TQTR-100 TQTR-300	2-8 4-24	20-100 40-300	0.3-1.2 05-3.4	2.5-11 5-33	3/8" 3/8"	318.0 422.0
TQT-600A TQT-1200A	TQTR-600 TQTR-1200	10-50 20-100	100-600 200-1200	1.2-7 3-14	12-68 25-135	1/2" 1/2"	476.0 546.0
TQT-2000A TQT-3000A	TQTR-2000 TQTR-3000	40-160 50-250	400-2000 600-3000	5-23 7-35	50-225 70-330	1/2" 1/2"	597.0 825.0
TQT-5000A TQT-7200A	TQTR-5000 TQTR-7200	100-410 150-600	1200-5000 1800-7200	14-57 20-82	140-560 200-810	3/4" 3/4"	1130.0 1181.0
TQT-8400A TQT-12300A TQT-15300A TWT-11	TQTR-8400 TQTR-12300 TQTR-15300 TWT-R/11	350-700 500-1000 750-1400 1000-2000	4200-8400 6000-12300 9000-15300 ---	49-95 70-140 105-195 135-275	480-940 700-1000 1015-1890 1350-2700	1" 1" 1" 1"	1397.0 1505.0 1505.0 1498.0

## TORQUE MULTIPLIER



**SAPSONS** Torque Multipliers are compact alloy steel, epicyclical gear units, designed for tightening and loosening of nuts and bolts by providing very high torque economically.

**SAPSONS** Torque multipliers is interposed between a standard Torque Wrench and the Socket, and the reaction bar/bracket is allowed to rest against any convenient solid object. The operation then has effective leverage of Torque Wrench 5 times or 25 times or 125 times the length of the wrench being used in to the input side of the gear unit.

All standard single stage units are having the multiplication ratio of 5:1. the gear units are compounded to give 25:1 or 125:1 output ratio.

**SAPSONS** Torque multipliers having ratio of 5:1 provides the equivalent of 4 extra manpower to the user.

Output Torque = Input Torque X Multiplication factor.

In limited work place, use of Torque Multiplier generates high torque, with precision and ease. In many cases it eliminates dismantling of nearby equipment.

Throughout the world thousands of Torque Multipliers are used everyday for maintenance job, production and servicing, where high torque is applied.

### TORQUE MULTIPLIERS CAN ALSO BE USED TO EASE MANUAL TUBE EXPANSION IN DRUMS OF WATER TUBE BOILERS OR IN CONFINED AREAS.

<b>SAPSONS TORQUE MULTIPLIER</b>										
MODEL NO.		TORQUE CAPACITY		BOLT CAPACITY		FACTOR	FEMALE INPUT SQ. IN	MALE OUTPUT SQ. IN	RECMD. TORQUE WRENCH	APPROX. WT. WITH REACTION PLATE (KG.)
PLATE TYPE	HANDLE TYPE	LB. FT.	KGM.	IN.	MM.					
TM - 1	TMH - 1	1250	170	1.1/8	28	5	1/2	3/4	TQTR - 3000	4.5
TM - 2	TMH - 2	1250	170	1.1/8	28	5	3/4	1	TQTR - 3000	5.0
TM - 2/25	TMH - 2/25	1250	170	1.1/8	28	25	1/2	1	TQTR - 1200	7.0
TM - 5	TMH - 5	2000	275	1.3/8	35	5	3/4	1	TQTR - 5000	8.0
TM - 5/25*	TMH - 5/25	2000	275	1.3/8	35	25	1/2	1	TQTR - 1200	11.0
TM - 6	-	2500	345	1.1/2	38	5	3/4	1.1/2	TQTR - 7200	8.5
TM - 6/25*	-	2500	345	1.1/2	38	25	1/2	1.1/2	TQTR - 1200	11.5
TM - 7	-	4500	622	2.1/2	62	5	3/4	1.1/2	TQTR - 1500	15.5
TM - 7/25*	-	4500	622	2.1/2	62	25	3/4	1.1/2	TQTR - 3000	19.5
TM - 7/25SD*	-	4500	622	2.1/2	62	25	3/4	1.1/2	TQTR - 3000	20.0
TM - 7/125*	-	4500	622	2.1/2	62	125	1/2	1.1/2	TQTR - 600	25.0
TM - 7/125SD*	-	4500	622	2.1/2	62	125	1/2	1.1/2	TQTR - 600	26.0
TM - 9/25	-	7000	968	3.0	75	25	3/4	1.1/2	TQTR - 7200	25.0
TM - 9/125*	-	7000	968	3.0	75	125	1/2	1.1/2	TQTR - 1200	32.0
TM - 11/25*	-	12500	1734	3.1/2	89	25	3/4	2.1/2	TQTR - 12300	45.0
TM - 11/125*	-	12500	1734	3.1/2	89	125	1/2	2.1/2	TQTR - 2000	53.0
TM - 13/125*	-	35000	4845	4.1/2	114	125	3/4	2.1/2	TQTR - 5000	60.0

**Note : (\*) are fitted with anti-wind-up ratchet mechanism.**

#### Advantages :

- ❖ One man can tighten or loosen the toughest nut or bolt with complete safety.
- ❖ Compact efficient design provides greater ease and safety in handling and operating.
- ❖ Designed to be used with standard tools, hand torque and air-driven non-impact type wrenches.
- ❖ Planetary gears and all alloy steel construction assure minimum mechanical loss through distortion.
- ❖ A standard sliding reaction bar meets practically all normal requirements.

#### Features :

- ❖ Various Models available ranging from 170 to 4845 Kgm.
- ❖ Compact design, smooth in operation.
- ❖ Models available with multiplication ratio of 5:1, 25:1 and 125:1.
- ❖ Standard slide mount Reaction Bar and slotted bracket adopts readily to most applications.
- ❖ Special reaction arms are available for difficult applications.

#### Benefits :

- ❖ Cover small bolting as well as the larger application because of wide range of available models.
- ❖ Uniformity of bolting, minimum flange distortion and less likelihood of leaks.
- ❖ Cut down manpower requirements, reduces operator fatigue, as a result saves money.
- ❖ In high torque applications, final torques are achieved with very low input torque. With higher multiplication ratio, very less operator fatigue.

## SPRING BALANCERS

TO REDUCE OPERATOR FATIGUE

### FEATURES :

- ❖ Automatic Drum Lock Arrangement.
- ❖ External Tension Adjustment.
- ❖ Rugged Construction.
- ❖ Containerized Main Spring.
- ❖ Self Lubricating Bearing.
- ❖ Swivel Hook For Any Operating angel.
- ❖ Quick Connecting And Disconnecting of Load.

TO INCREASE PRODUCTIVITY

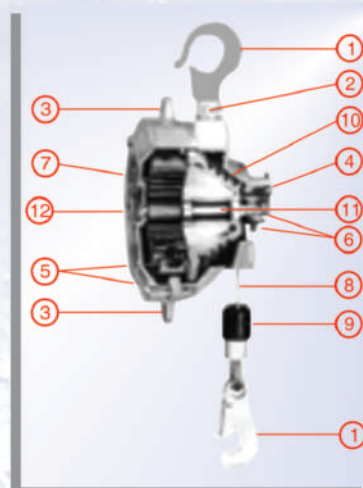


### SPECIFICATIONS

MODEL NO.	BALANCING CAPACITY		TRAVEL IN MTR.	ROPE DIA (MM)	UNIT WEIGHT KGS.
	MIN. KGS.	MAX. KGS.			
ECB-1	0.25	1.5	1.0	3.0	1.2
ECB-2	1.0	2.0	1.0	3.0	1.2
ECB-3	1.0	3.0	1.3	3.5	2.3
ECB-5	2.5	5.0	1.3	3.5	2.3
ECB-9	4.5	9.0	1.3	4.0	4.2
ECB-15	9.0	15.0	1.3	4.0	4.5
ECB-22	15.0	22.0	1.5	5.0	9.0
ECB-30	22.0	30.0	1.5	5.0	9.5
ECB-40	30.0	40.0	1.5	5.0	10.5
ECB-50	40.0	50.0	1.5	5.0	11.2
ECB-60	50.0	60.0	1.5	5.0	12.6
ECB-70	60.0	70.0	1.5	5.0	13.6
ECB-85	70.0	85.0	1.5	6.0	16.0
ECB-100	85.0	100.0	1.5	6.0	19.0
ECB-120	100.0	120.0	1.5	6.0	20.5
ECB-140	120.0	140.0	1.8	6.0	-
ECB-170	140.0	170.0	1.8	6.0	-
ECB-200	170.0	200.0	1.8	6.0	-

### PARTS LIST

1. **Forged Hooks** - Top and bottom hooks have a safety latch to prevent accidental unhooking of either balancer or load.
2. **Swivel on Top Hook** - Allow full 360° rotation. Positions balancer for easiest cable flow. Prolongs cable life.
3. **Hanger for Secondary Support Chain** - Upper and Lower Hangers are provided for attachment of secondary support chain to prevent the possibility of the balancer accidentally falling.
4. **Manual Safety Lock** - Positively locks rotation of the drum. A must when replacing a cable, changing the load or renewing the spring.
5. **Safety Stop Arm** - Automatically locks the cable drum and holds the load in place if the main spring fails.
6. **Hardened Worm and Worm Gear Load Adjustment** - Permits exact external balancing of load.
7. **Self-Contained Spring** - Allow cable replacement without disassembly. Spring is retained in a steel collar.
8. **Stranded Steel Cable** - Resists kinking... reduces drum wear... requires no lubrication... outwears plain steel cable.
9. **Shock Absorber and Adjustable Cable Stop** - Limits retraction of cable to any desired point in its travel. Prevents excessive winding of cable on drum.
10. **Tapered Cable Drum** - Assure more even tension in cable throughout working range.
11. **Steel Drum Shaft** - Precision made for extra life and added safety.
12. **Gauge Indicator** - Indicates set weight of the balancer.





## TOOL KITS



Sapsons offers you an appropriate assortment of tools for industry, maintenance shops, service stations and garages. Supplied in Sapsons heavy duty trolleys, tool boxes, or simply packed in convenient sets- according to your choice.

Working with Sapsons tool kit makes the task easier and the result, safe as well as reliable.



Designed to meet the needs of professionals, whatever tool you need, we have the set to suit your specific requirements by standardization of most commonly used toolings.

Compact Kits containing the required set of tools provide a time saving storage system as well as make the handling easy.

Sapsons Tool Kits are therefore recommended for all kinds of applications in the following industries.

- Automobiles
- Boilers & Turbines
- Construction Equipments
- Nuclear / Thermal / Gas Power Plants
- Heavy Earth Movers / Dumpers
- Sugar Plants
- Refineries and Oil Rigs
- Chemical and Fertilizers Plants
- Railway Workshops

## Standard Range of Service Tool Kits

- General Service Tool Kit
- Super Maintenance Breakdown Tool Kit
- Electrician Tool Kit
- General All-Purpose Handyman's Tool Kit
- Garage Mechanics Maintenance Tool Kit
- Mechanics Breakdown Tool Kit
- Basic Service Tool Kit
- Machine Shop-Maintenance Tool Kit
- Fitter's Special Tool Kit

Besides our normal range we can also supply Tool Kits to customers specifications.

## SAPSONS INDUSTRIAL EQUIPMENTS PVT. LTD.

No : 3, First Floor, Siddhivinayak Commercial Complex,  
Plot No : 26, Sector- 10, Airoli, Navi Mumbai - 400 708.  
Phone : 91-22-30987636, 31066289

e-mail : [info@sapsonsindia.com](mailto:info@sapsonsindia.com), website : [www.sapsonsindia.com](http://www.sapsonsindia.com)

**Delhi Office :** G-67/B, First Floor, Kalkaji, New Delhi-110019

Phone : 91-11-51604150, 26288670 Fax : 91-11-51604140/26228159

e-mail : [pandian@sapsonsindia.com](mailto:pandian@sapsonsindia.com)

