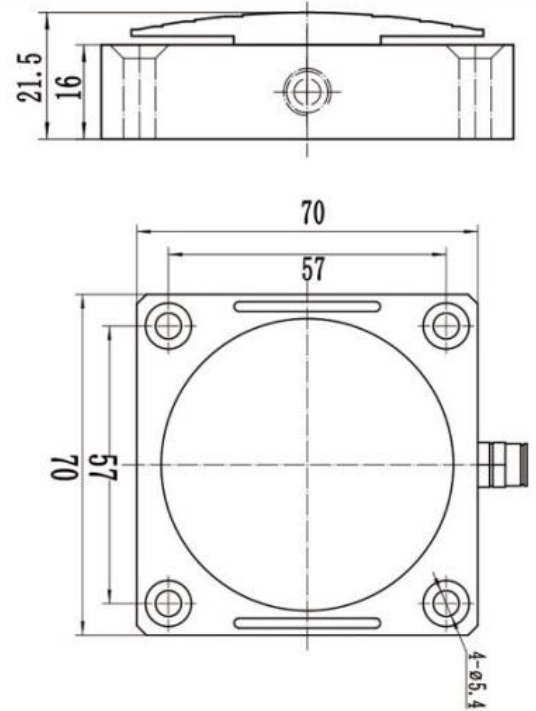


SHIVAY**SENSOR**

Model S 905



SPECIFICATION

Capacity (kgf) 1 to 200			
Precision	C2/C3	Output Impedance(Ω)	350 ± 5
Composition Error	0.03/0.02	Insulation ($M\Omega$)	≥ 20000
Rated Output(mv/v)	1.0 ± 0.2	Excitation Voltage(V)	5~15(DC)
Non-Linearity (%FS)	0.025	Compensated Temp.($^{\circ}C$)	-10~+50
Hysteresis (%FS)	0.02	Use Temp. ($^{\circ}C$)	-20~+60
Repeatability (%FS)	0.02/0.01	Temp. Effect on Span(%FS)	0.02
Creep (%FS)	0.03/0.02	Temp. Effect on Zero(%FS)	0.02
Zero Balance (%FS)	± 1.0	Safe Overload(%FS)	150
Input Impedance(Ω)	390 ± 50	Ultimate Overload(%FS)	300



www.shivaysensor.com

