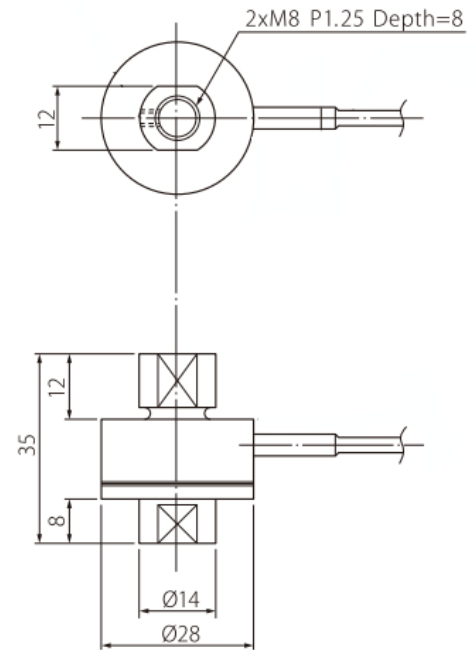


SHIVAY**SENSOR**

Model S 632



SPECIFICATION

| | | | |
|--|---------------|----------------------------------|-------------|
| Capacity (kgf) 5, 10, 20, 30, 50, 75, 100, 150, 20 | | | |
| Precision | C2/C3 | Output Impedance(Ω) | 350 ± 5 |
| Composition Error | 0.03/0.02 | Insulation ($M\Omega$) | ≥ 2000 |
| Rated Output(mv/v) | 1.0 ± 0.2 | Excitation Voltage(V) | 5~10(DC) |
| Non-Linearity (%FS) | 0.025 | Compensated Temp.($^{\circ}C$) | -10~+50 |
| Hysteresis (%FS) | 0.02 | Use Temp. ($^{\circ}C$) | -20~+60 |
| Repeatability (%FS) | 0.02/0.01 | Temp. Effect on Span(%FS) | 0.02 |
| Creep (%FS) | 0.03/0.02 | Temp. Effect on Zero(%FS) | 0.02 |
| Zero Balance (%FS) | ± 1.0 | Safe Overload(%FS) | 150 |
| Input Impedance(Ω) | 390 ± 50 | Ultimate Overload(%FS) | 300 |



www.shivaysensor.com

