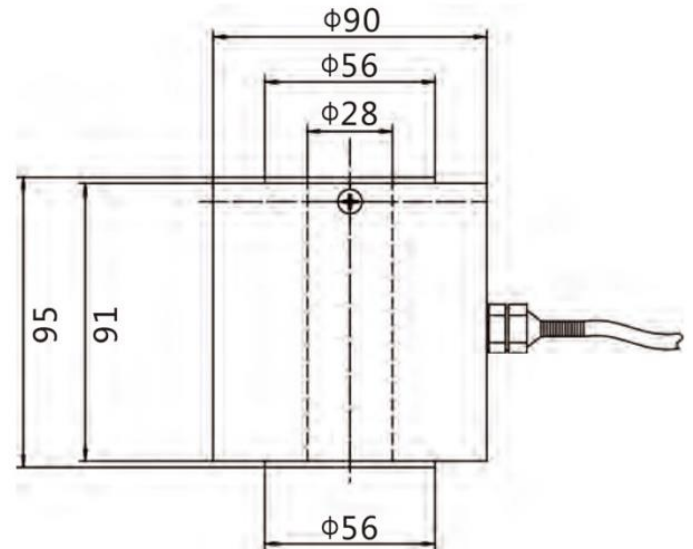


**SHIVAY****SENSOR**

# Model S 263



## SPECIFICATION

Capacity (kgf)	5, 10, 15, 20, 30, 50		
Precision	C2/C3	Output Impedance( $\Omega$ )	$700 \pm 5$
Composition Error	0.03/0.02	Insulation ( $M\Omega$ )	$\geq 20000$
Rated Output(mv/v)	$1.5 \pm 0.2$	Excitation Voltage(V)	5~15(DC)
Non-Linearity (%FS)	0.025	Compensated Temp.( $^{\circ}C$ )	-10~+50
Hysteresis (%FS)	0.02	Use Temp. ( $^{\circ}C$ )	-20~+60
Repeatability (%FS)	0.02/0.01	Temp. Effect on Span(%FS)	0.02
Creep (%FS)	0.03/0.02	Temp. Effect on Zero(%FS)	0.02
Zero Balance (%FS)	$\pm 1.0$	Safe Overload(%FS)	200
Input Impedance( $\Omega$ )	$750 \pm 50$	Ultimate Overload(%FS)	300



[www.shivaysensor.com](http://www.shivaysensor.com)

