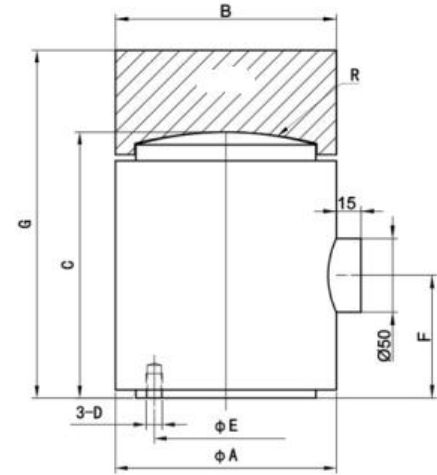


SHIVAY

SENSOR



Model S 127



(T)	2-20	30-50	60-100	200	300	500	700-1000t
Φa	54	78	98	128	154	196	246
ΦB	54	78	98	128	154	196	246
C	65	100	110	140	170	220	282
D	M4	M6	M6	M6	M8	M10	M16
E	35	55	75	100	120	150	190
R	80	100	120	200	300	400	500
G	85	125	140	180	215	275	352
F	30	47	55	70	85	110	132

SPECIFICATION

Capacity (tf)	2 to 1000		
Precision	C2/C3	Output Impedance(Ω)	700 ± 5
Composition Error	0.03/0.02	Insulation (MΩ)	≥ 20000
Rated Output(mv/v)	2.0 ± 0.2	Excitation Voltage(V)	5~15(DC)
Non-Linearity (%FS)	0.025	Compensated Temp.(°C)	-10~+50
Hysteresis (%FS)	0.02	Use Temp. (°C)	-20~+60
Repeatability (%FS)	0.02/0.01	Temp. Effect on Span(%FS)	0.02
Creep (%FS)	0.03/0.02	Temp. Effect on Zero(%FS)	0.02
Zero Balance (%FS)	± 1.0	Safe Overload(%FS)	120
Input Impedance(Ω)	750 ± 50	Ultimate Overload(%FS)	150



www.shivaysensor.com

