

VFFS SERVO SERIES

**Servo Powered machines
engineered for precision & speed
in vertical packaging for food,
pharma and chemical industries.**



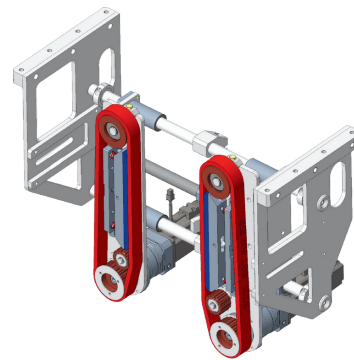
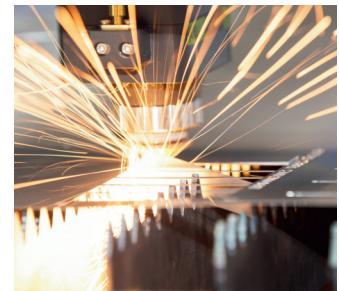
About us

Helix Packaging solution is passion driven organization committed to delivering their uncompromised quality workmanship and precision. Our works reflects dedication, new technology adaptation and design that works for current market requirement.

At Helix Packaging Solution every machine is built through an inhouse factory which is about 15000 Sqft factory located in Gujarat as well as some parts from high qualified vendors across glob as per our design as well quality standards

We are fully equipped design studio where we use latest CAD software for design parts as well as assembly analysis for better machine performance.

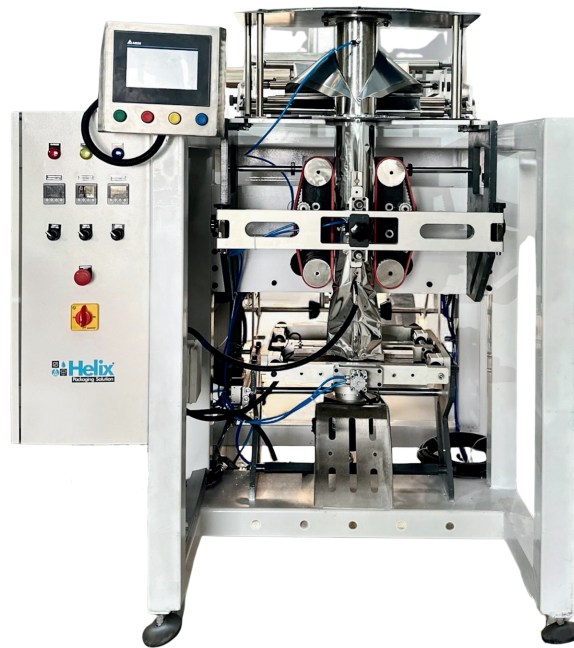
“Sealing your success
unwrap your excellence”



Our Customer



Bagger model range



	V320	V420	V520	V720
Bag Type	Center seal pillow type bag			
Bag width (Min/Max) mm	50-150	50-200	70-250	100-350
Bag Length (Max.) mm	50-200	80-300	80-400	100-500
Connecting Load	6 KW	6 KW	7 KW	7 KW
Air Requirement	3 CFM @ 7 Bar	3 CFM @ 7 Bar	4 CFM @ 7 Bar	4 CFM @ 7 Bar
Maximum Film Reel Width	320 mm	420 mm	520 mm	720 mm
Maximum Film Reel Diameter	350 mm	400 mm	450 mm	450 mm
Product handle	Any Dry state food product granular or powder depends on filling head			
Core ID	76 mm			
Maximum Speed	80-90 PPM	70-80 PPM	50-70 PPM	40-50 PPM
Dimensions L X W X H	1500 x 1050 x 1750	1600x 1150 x 1750	1750x1250x 1850	1890x1450x 1850
Weight Approx	850 Kg	1095 Kg	1420 Kg	1800 Kg

Filling systems

Auger Filler

Designed for powder products for Food & Chemical and pharma industries



Multihead Weigher

Perfect solution for accurate weight measuring and speed for packaging



Volumetric Cup Filler

Affordability with easy operation for granule all products food pharma and chemical



Linear weigher

Popular in medium scale industry application as well as perfect weighing



+91 9824662888

www.helixpackaging.com



Plot no: 97
Suvas Global Industries Hub,
Moraiya ,Ahmedabad,
Gujarat , India 382213