

WE ARE
THE **BEST** IN
MANUFACTURING OF
EXPANDING SHAFTS AND
DIFFERENTIAL
REWINDING SHAFTS



ABOUT US

FORTUNE ROTO CONTROL'S BEGAN ITS JOURNEY BY MANUFACTURING FRICTION RINGS AND FRICTION SHAFT QUICKLY BECAME A VITAL LINK IN THE SUPPLY CHAIN OF OEM COMPANIES.

THE INDUSTRY GIANTS SOON TOOK NOTICE OF THE QUALITY, AESTHETICS, AND PERFORMANCE OF ITS PRODUCTS. IN RESPONSE TO INCREASING INQUIRIES, THE COMPANY EXPANDED ITS PRODUCT LINE TO INCLUDE COMPLETE FRICTION SHAFTS, EXPANDING SHAFTS, SAFETY CHUCKS, KNIFE/BOTTOM CUTTER SHAFTS, SHAFT LESS CHUCKS, AND ADAPTORS.

SUPPLYING 85% OF ITS TOTAL PRODUCTION TO OEM COMPANIES, STILL HAS GROWN INTO THE LARGEST MANUFACTURER IN AHMEDABAD INDIA.

WE NOW OFFER A WIDE RANGE OF SIZES, TECHNOLOGIES AND SURFACE TREATMENTS. SOME OF THE SHAFT WE PRODUCE FOR OUR CUSTOMERS ARE: EXPANDING LUG SHAFTS, EXPANDING LUGS SHAFTS WITH AXIAL MOVEMENT, EXPANDING LEAF SHAFTS, MODULAR EXPANDING SHAFTS, KNIFE SHAFTS, DIFFERENTIAL SHAFTS, EXPANDING SHAFTS WITH CUSTOMISED ENDS.

OUR EXPANDING AIR SHAFTS ARE THE BEST ON THE MARKET BECAUSE THEY ARE MANUFACTURED WITH FIRST CHOICE MATERIALS SUCH US ALUMINIUM EXTRUDED PROFILES OR IN STEEL AND ARE RECOGNISED FOR THEIR UNMATCHED CHARACTERISTICS AND PERFORMANCES.

FRICTION RING BALLOCK

FORTUNE's friction ball rings of our production can be used for rewinding any material on any type of core with an internal diameter starting from 50 mm up to 12". Our standard execution is for 3" and 6" cores.

(Custom-made solutions possible)

Suitable for use in cardboard, plastic, steel, and aluminium cores.

Different executions are available: hardened steel or hard anodized aluminium.

Due to reduced internal friction, it is suitable for use in very low-tension applications as well.



FRICTION-RING SHAFT

(Differential / Ballock Shaft)

FORTUNE's friction shafts are the ideal solution for multiple and independent roll rewinding on the same shaft, as each roll requires proper web tension. During the rewinding process of multiple rolls obtained after the cutting of plastic film, paper, or other materials, it is common to encounter significant differences in thickness and, consequently, variations in web tension.

Our more than fifteen years of experience in the production of differential rewinding shafts for slitter rewinders, we offer one of the widest ranges of differential rewinding shafts available on the market.

Our differential rewinding shafts are highly reliable and are considered among the best in the industry.



AIR EXPANDING SHAFT

LUG TYPE AIR EXPANDING SHAFT

(SINGLE BLADDER AIR EXPANDING SHAFT).

Lug air shafts or grippers are slit through the pipe, and a rubber bladder is used for inflation. The grippers provide positive holding of the core. Lug shafts are designed for medium- to heavy-duty use in 76.2 mm (3 inch) ID cores and are commonly used in center unwind and rewind applications with either fiber or steel cores.



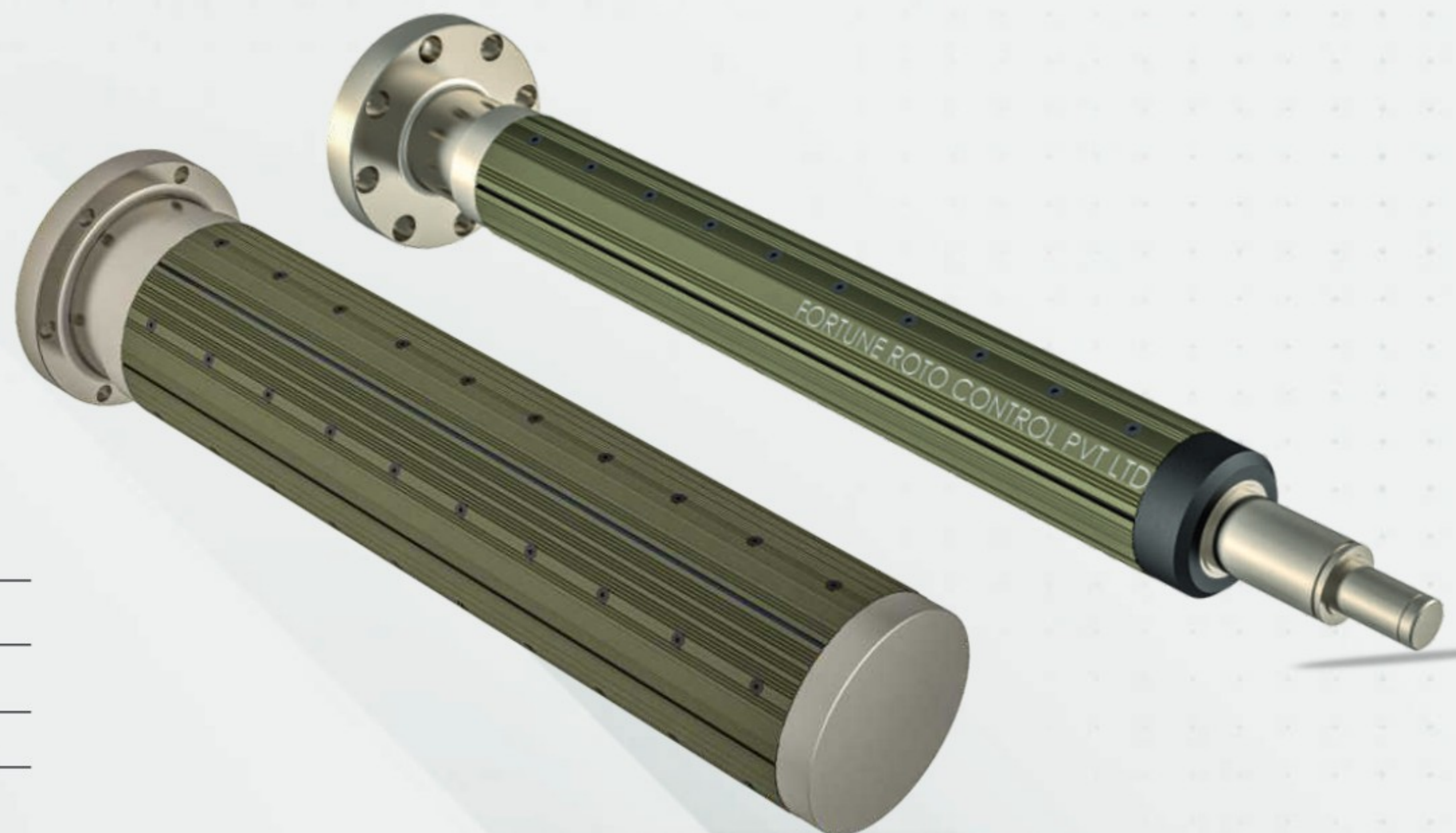
LEAF TYPE AIR EXPANDING SHAFT

The FORTUNE ROTO CONTROL Leaf Air Shafts are thoughtfully designed and recommended for use with thin-walled cores or narrow cores. Our leaf type air shafts have a wide array of applications and can be used with thin-walled paper, steel, plastic, or fibre cores.

FORTUNE's Leaf Shafts are cost effective and lightweight – delivering impressive performance for your operations.

Leaf-style design delivers more winding surface, and is best for the elimination of thin wall core deformation.

If you're ready for a reliable and precise air shaft to meet your unique manufacturing needs, consider Fortune's Leaf Type Air Shaft.



INSIDE CORE ID	1"	6"
Expanding Shaft (mm)	74-75.5	149-152
Lugs (bladders) Number	2	6
Profile Material	Aluminium/Steel	Steel
Leaf Material	Aluminium	Aluminium

(CUSTOM - MADE SOLUTIONS POSSIBLE)

MULTI BLADDER AIR EXPANDING SHAFT

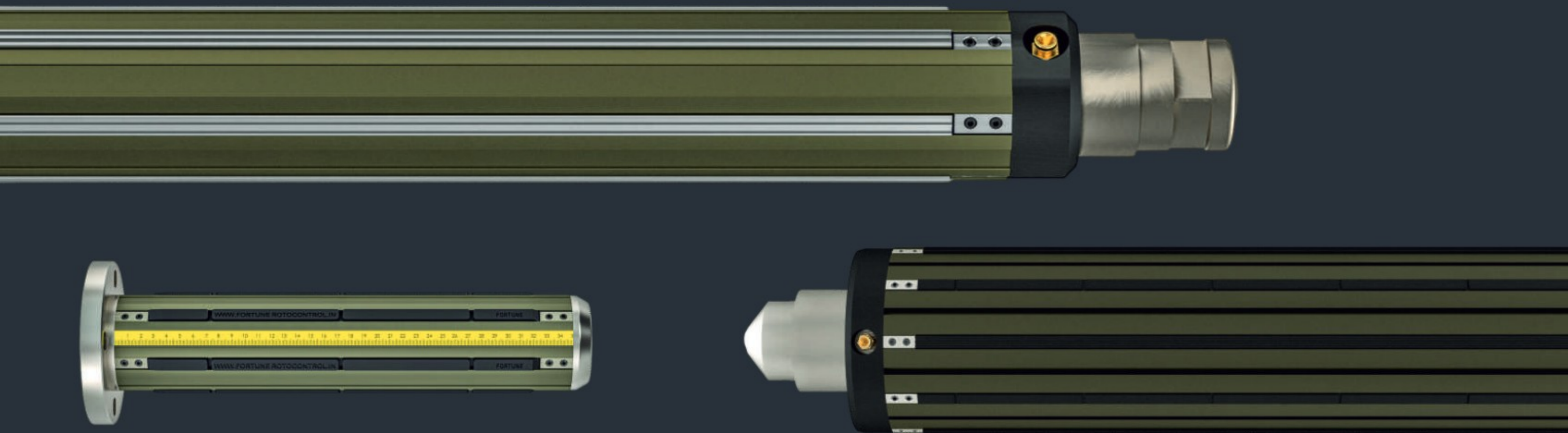
Multi-bladder Aluminium Shaft

Operator-friendly due to their lightweight aluminium construction, these shafts can be used for light to medium weight winding operations. Multiple rolls can be wound simultaneously on the same shaft.

Multi-bladder Steel Shaft

Due to their steel construction, these shafts can be used for heavy-duty winding operations. Multiple rolls can be wound simultaneously on the same shaft.

- Perfect for roll unwinding and rewinding process
- Body material aluminium with hard anodized and steel (NITRIDING STEEL | 41CRALMO7) with hard chrome regrinding or electroless nickel plating
- Fortune Centrimas system ensures high precision reel centering to guarantee perfectly concentric unwinding and rewinding. Perfect concentricity allows faster machine speeds and reduces stress on the web material.



INSIDE CORE ID	1"	1.5"	2" or 50 MM	70mm	3"	4"	5"	6"	144"
Expanding Shaft (mm)	24.5	37.5	48.5	68-69	74.5/75.5	99-100	125	148-152	140-142
Lugs (bladders) Number	2	3	3	6/5	6/5	6	6	10	6
Profile Material	Steel	Steel	Steel	Steel/Alu	Steel/Alu	Steel/Alu	Steel/Alu	Steel/Alu	Aluminium

(CUSTOM - MADE SOLUTIONS POSSIBLE)

AIR CHUCK/ ADAPTOR (MULTIBLADDER/ LEAF TYPE ADAPTOR)

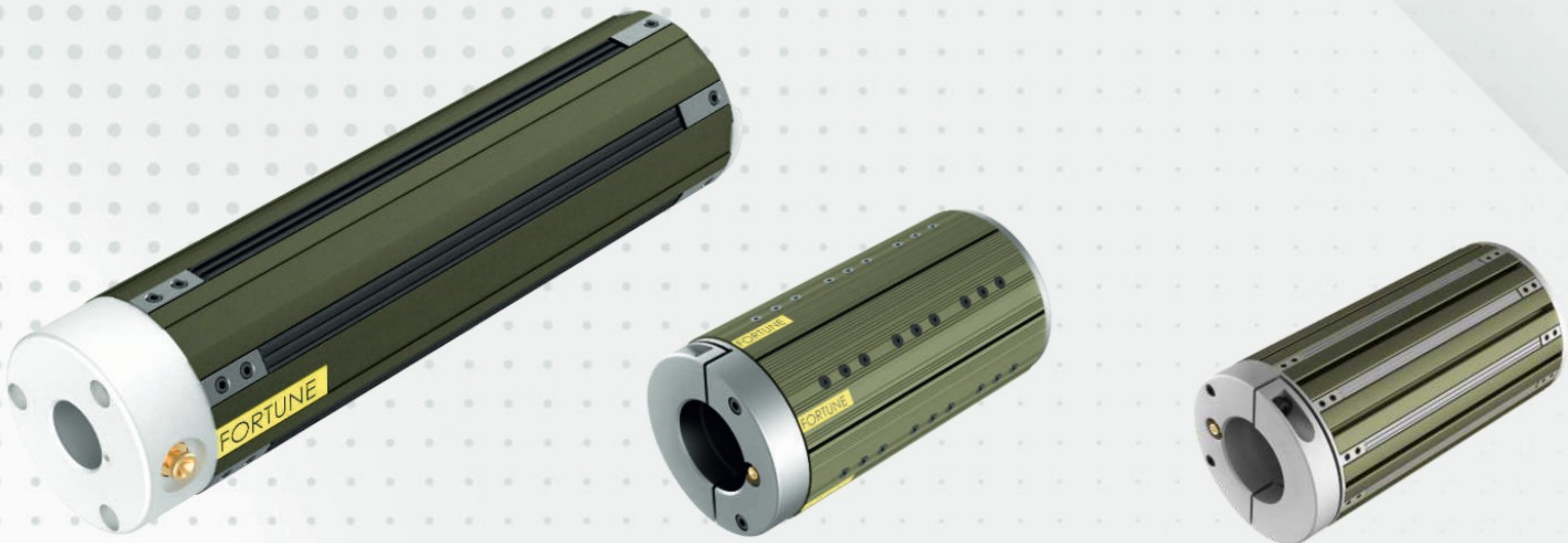
Adaptors are the most economical solution to adjust an existing shaft to a larger core diameter.

Mounting and dismounting takes just a few seconds, saving time and the cost of a new expanding shaft.

Leaf / Lugs adaptors can be made in virtually any size according to customer requirements, starting from 3" diameter.

Our expanding sleeves are mounted on 3" expanding shafts to clamp cores with a larger diameter up to 12".

Standard diameters are 3", 4" and 6".



BOTTOM CUTTER AIR EXPANDING SHAFT (KNIFE SHAFT)

Expanding air knife holder shafts steel chromium plated and grinded design with continuous PVC or polyurethane strips in "T" grooves

Pneumatically operating knife shaft, suitable for manual or automated set up of circular knives.



(SPECIAL SIZES ON CUSTOMER REQUEST)

SAFETY CHUCK (FLANGE / WALL MOUNTED FOOT MOUNTED) SLIDING TYP

Our safety chucks are all self-locking execution to block the shaft journal ends and support the reel weight safely.

Safety chucks automatically close with the rotation of the shaft and they can only be opened in a vertical position.

Fortune's foot and flange mounted safety chucks guarantee reduced set-up time, operator safety, high performance and versatility. They are built to withstand aggressive working conditions without sacrificing safety, speed or load capacity.

Features:

With Dual holding mechanism – Square for Torque transferring & Round for load Handling

Designed for higher speed applications

Automatic locking upon rotation

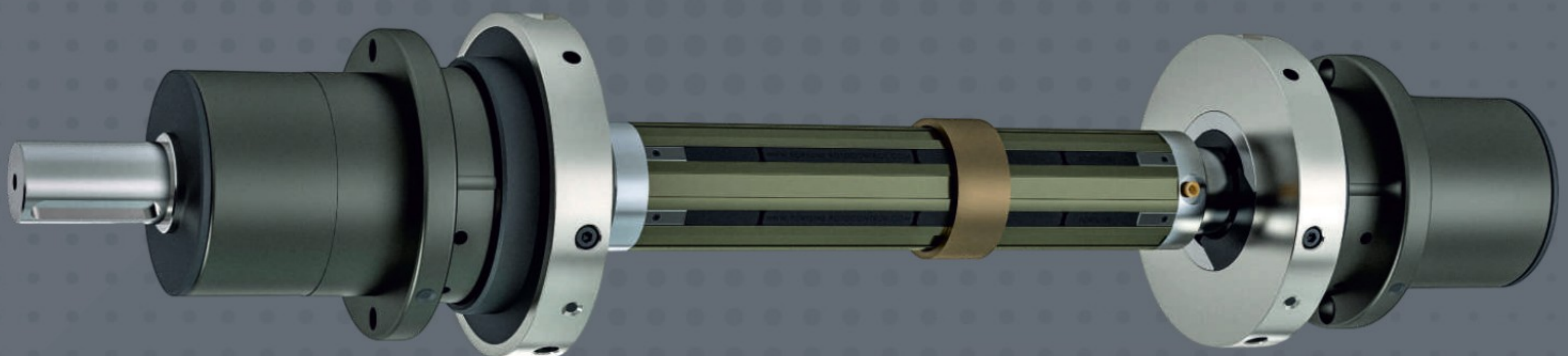
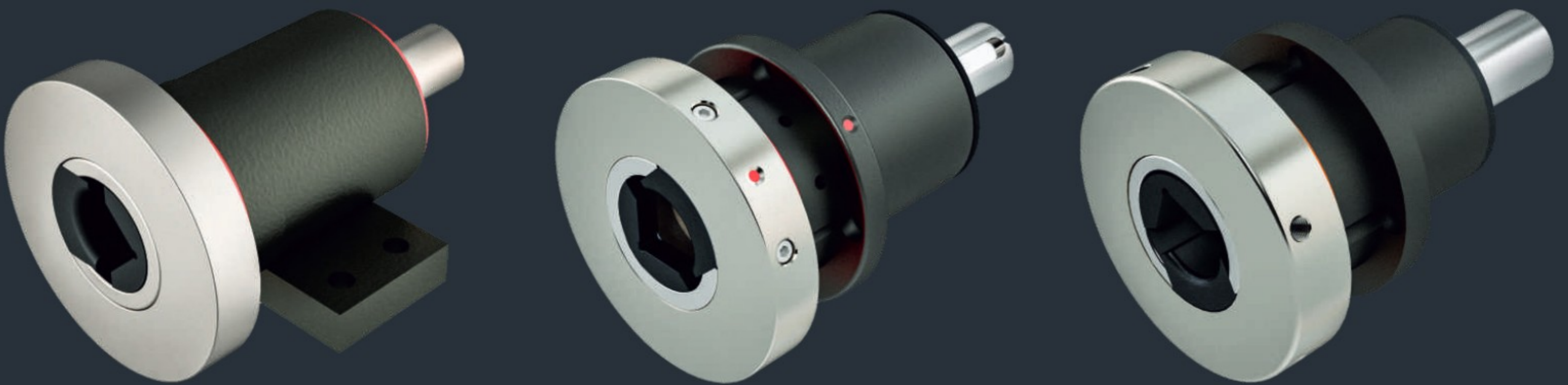
Offers precise concentricity than the standard square type safety chuck

Better concentricity means less noise & vibration during the run, and greater life

Very little damage to shaft journals

Replaceable insert feature for customer cost saving and flexibility of servicing

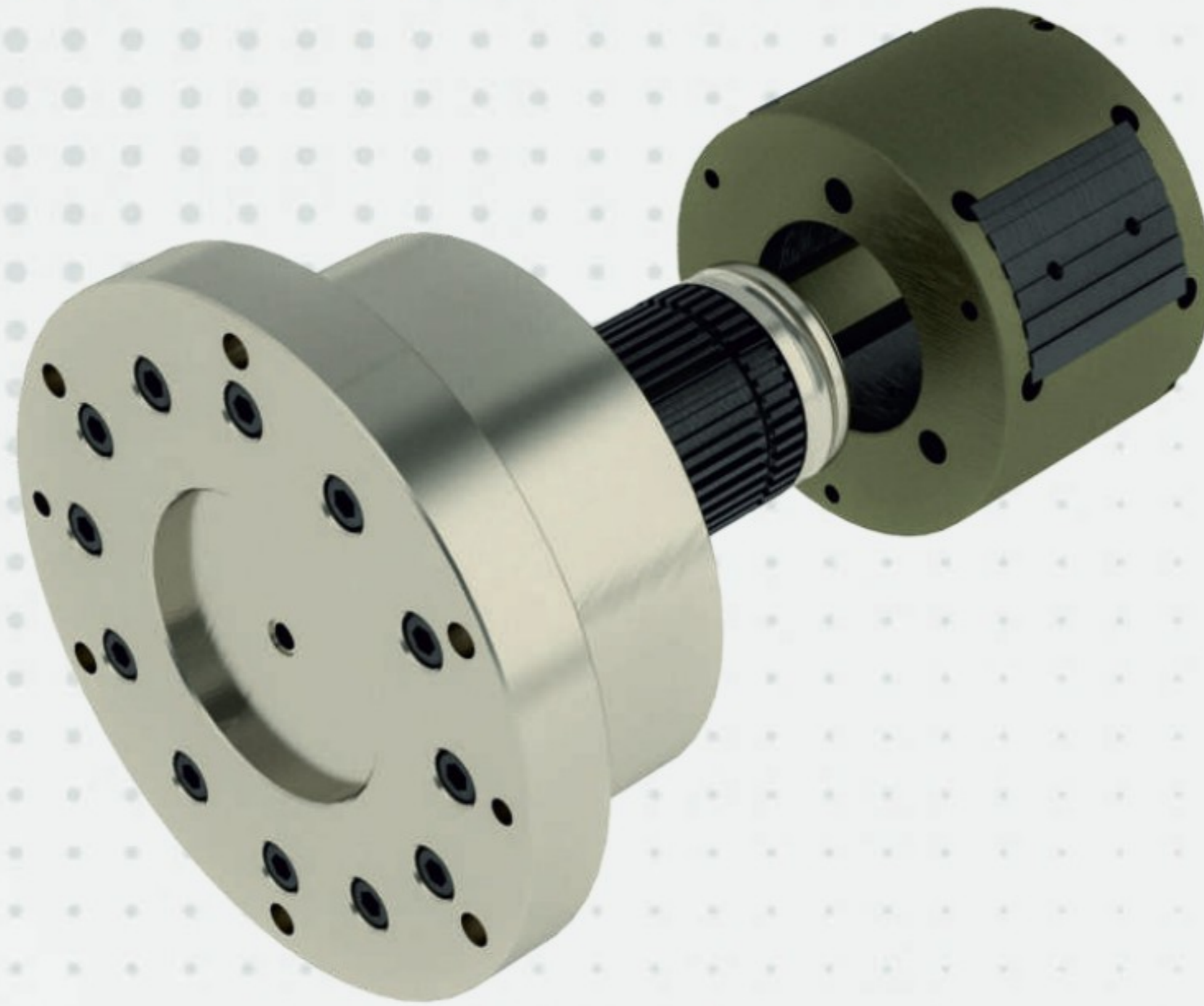
Extra locking pin with finger guard



AIRPOWER CHUCK

Pneuma-Mechanical Core Chuck (Air Expanding) The lugs are kept at the maximum diameter with the help of spring force and clamp the cores by the movement of a piston that is activated by compressed air released off the system.

whereas the unclamping is done by a spring that moves the piston in the reverse direction when the air released in the system



AXIAL THRUST MECHANICAL CHUCK

Mechano-Pneumactical Core Chuck (Spring-Force Expanding)

Axial-thrust mechanical chucks with double diameter cores 3" and 6". The chuck expansion occurs by axial thrust of the chuck inside the core.

The lugs are kept at the minimum diameter with the help of spring force.

FORTUNE axial thrust mechanical core chucks are provided with a spring system which, using the axial thrust when introduced inside the reel core, expands a series of keys.

That guarantees the right grip of the reel.

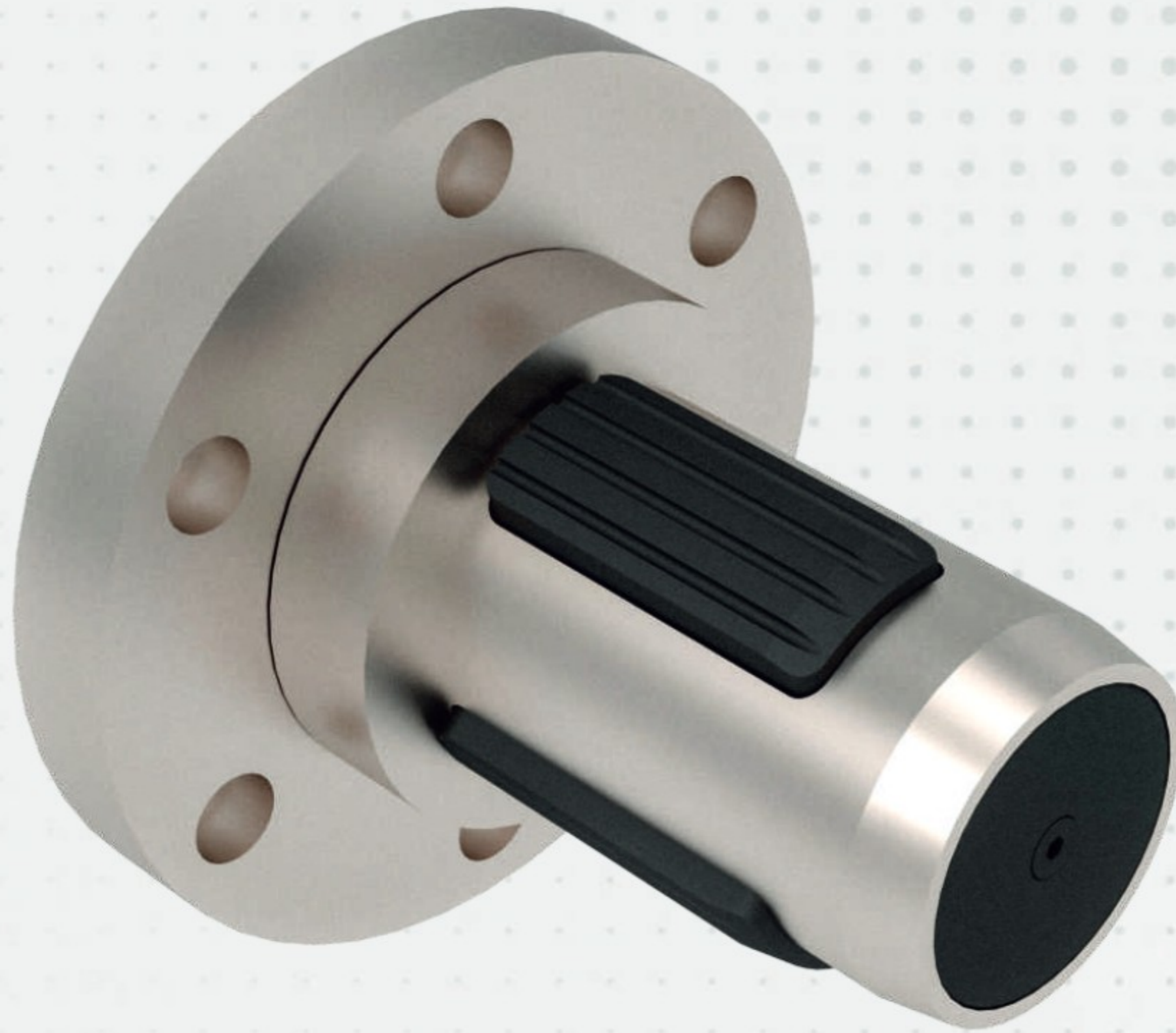


TORUQE CHUCK

Torque Chuck with Cam-Type Shaft Experience reliable core holding with our innovative cam-type shaft design. The chuck secures cores in a positive gripping position, delivering superior performance for high-torque applications in web handling and converting.

Key Advantages

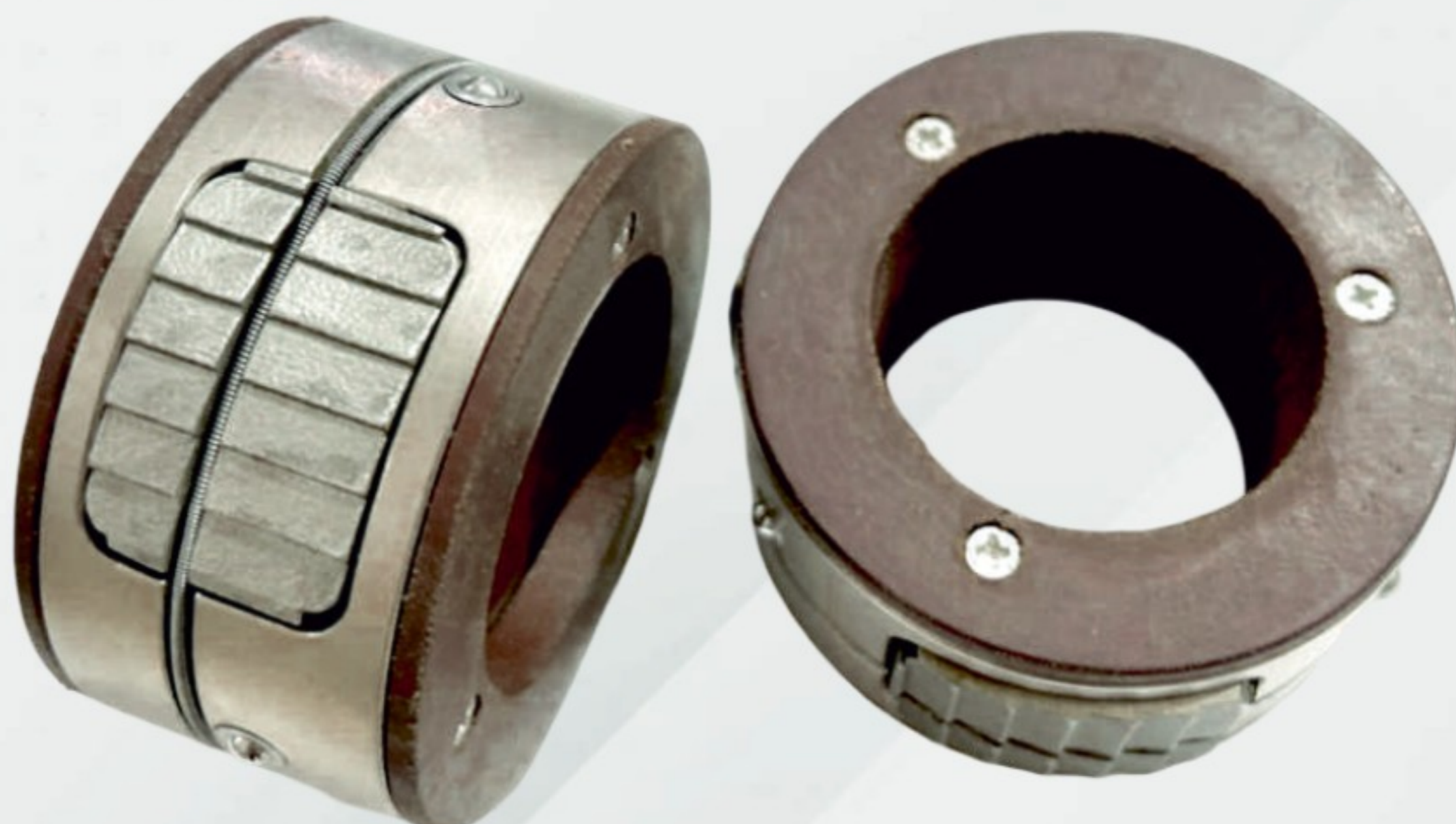
- True concentric expansion for uniform pressure.
- No side-arm force needed for easy loading.
- Exceptional grip at high loads and speeds.
- Reduced core damage vs. traditional chucks.



QUICK LOCK / QUICK LOCK SHAFT

Designed for convenient replacement of paper core without scratching.
Offers the same convenience as an air shaft.

Quick Lock is one of the products where maximum advantage of cam is used for concentric holding of the reel.

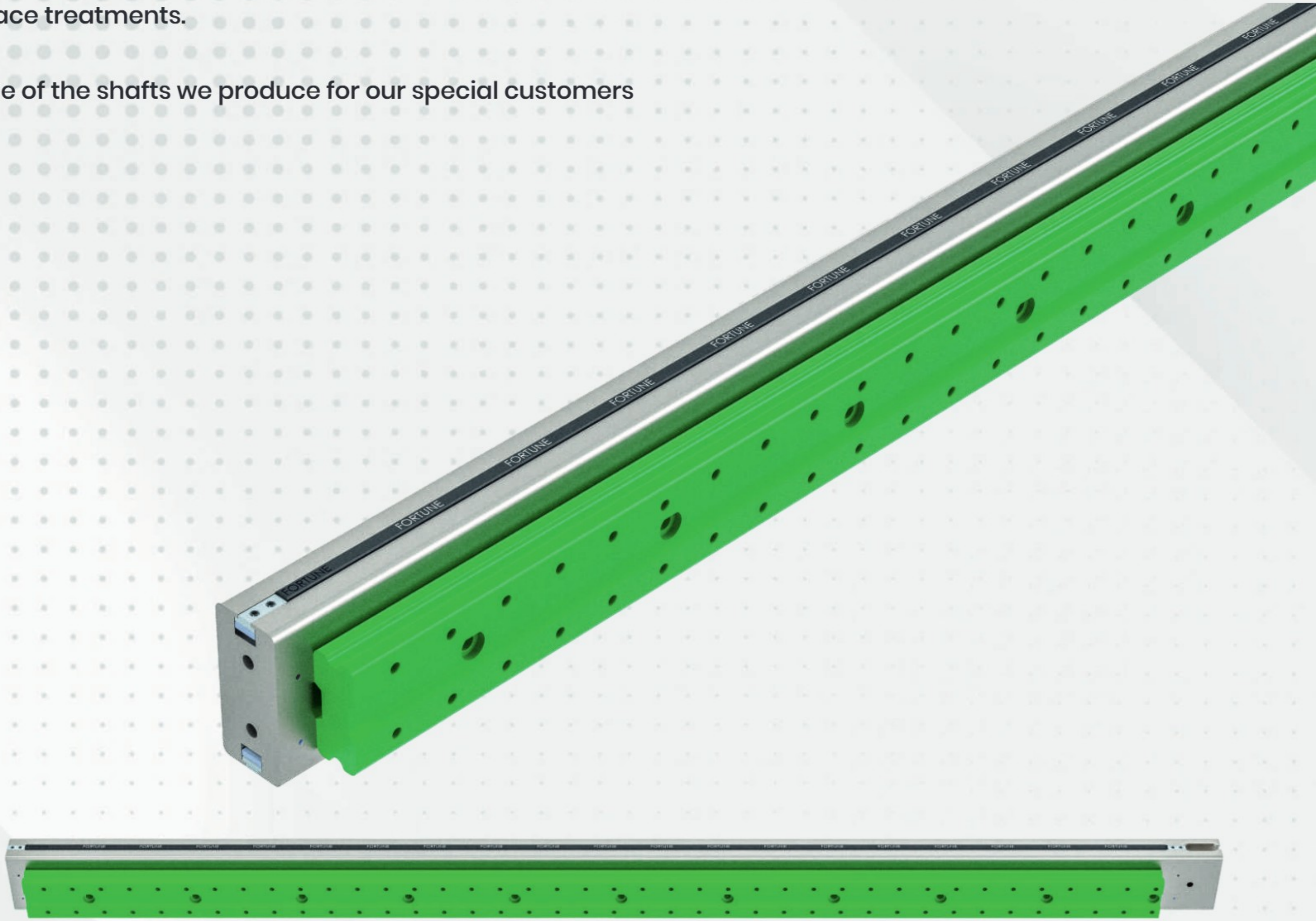


SPECIAL PURPOSE AIR EXPANDING SHAFT

FORTUNE ROTO CONTROL is able to design and produce expanding shafts to accommodate any customer need.

Thanks to our team's expertise and experience, and also to the investments we have made in state-of-the-art CNC/VMC machines, we now offer a wide range of sizes, technologies and surface treatments.

Some of the shafts we produce for our special customers



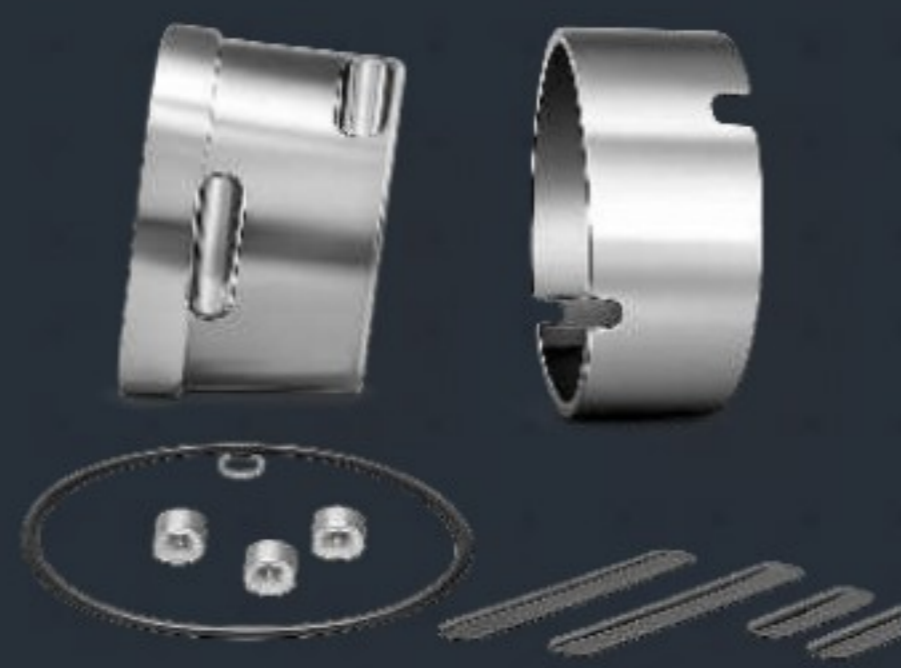
SPEARES ITEMS



AIR SHAFT VALVE & CLAMP



AIR VALVE FOR AIR SHAFT



BALLOCK SPARE



FLAT PU TUBE



FRICION SHAFT FELT & RING



LUG TYPE AIR SHAFT LUG & SPRING



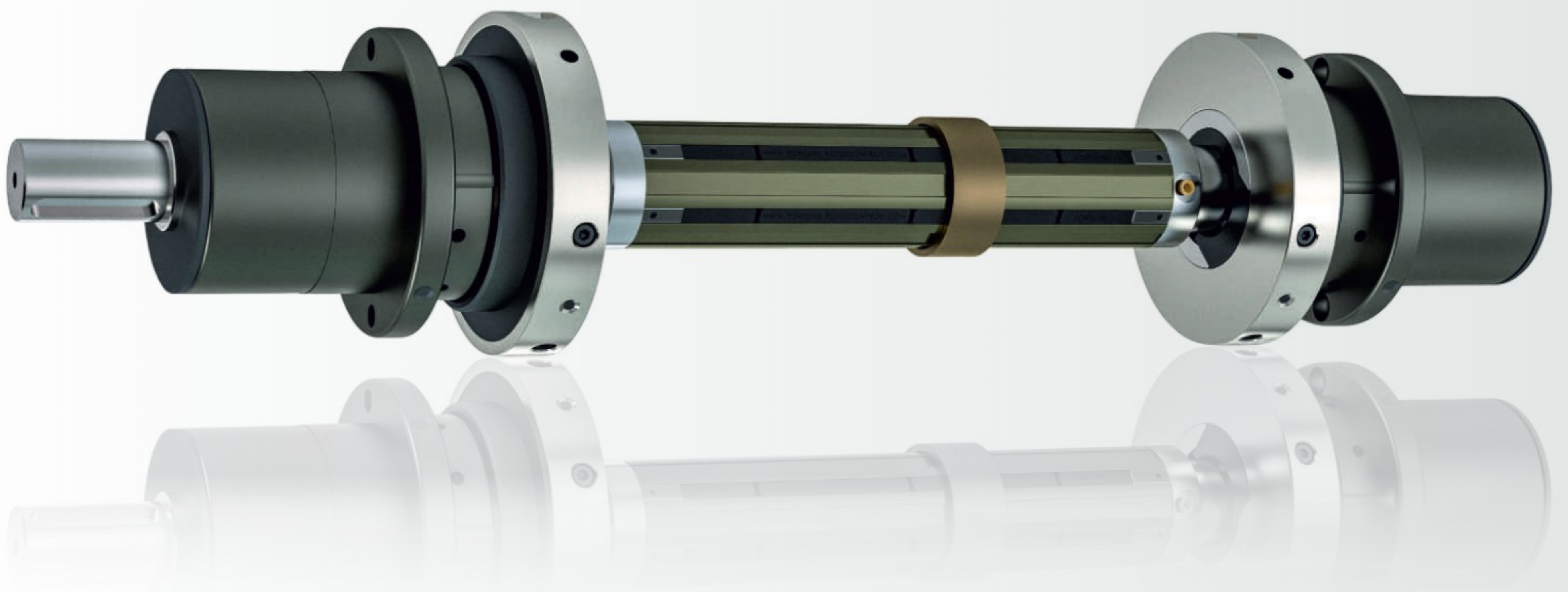
MULTIBLADDER SHAFT LUG & SPRING



ROUND RUBBER TUBE



SAFETY CHUCK SPARE



FORTUNE

FORTUNE ROTO CONTROL PVT. LTD.

Mo No. : 9558806464, 8460644512

Email : marketing@fortunerotocontrol.in | Sales@fortunerotocontrol.in

Address: Plot No. A-47 Swayam Industrial Park, Nr. Bhavda Patiya, Opp. Gopal Charan Landmark, Indore Highway, Kuha, Ahmedabad 382433.