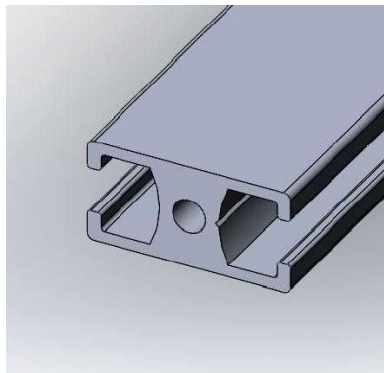


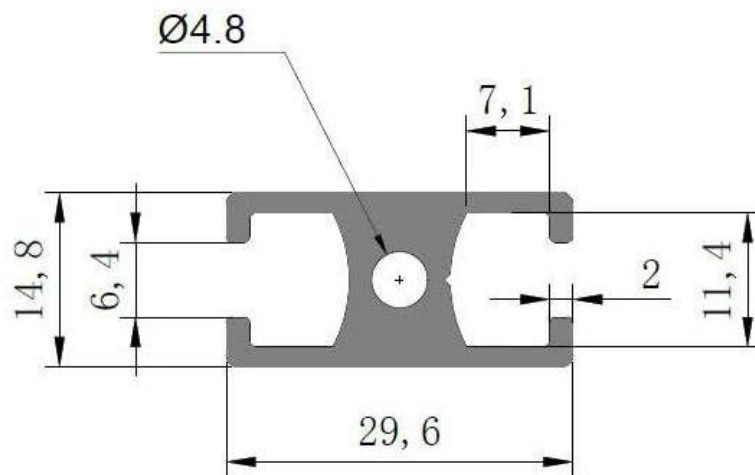
Strut Profile PG15 - 15x30

Strut Profile PG15 featuring 6mm T-slot is designed for constructing Light weight assemblies.

Description	Mass (kg/m)	Part No
Strut Profile PG1515x30 2 slots (SW)	0.566	1.11.15.015030.02.SW



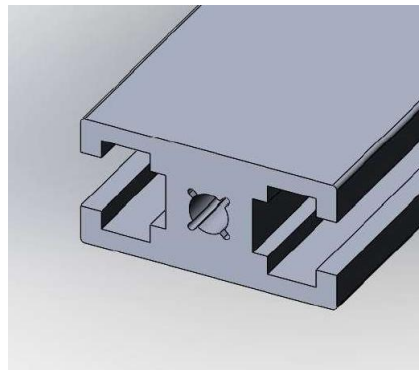
15X30 2 Slots



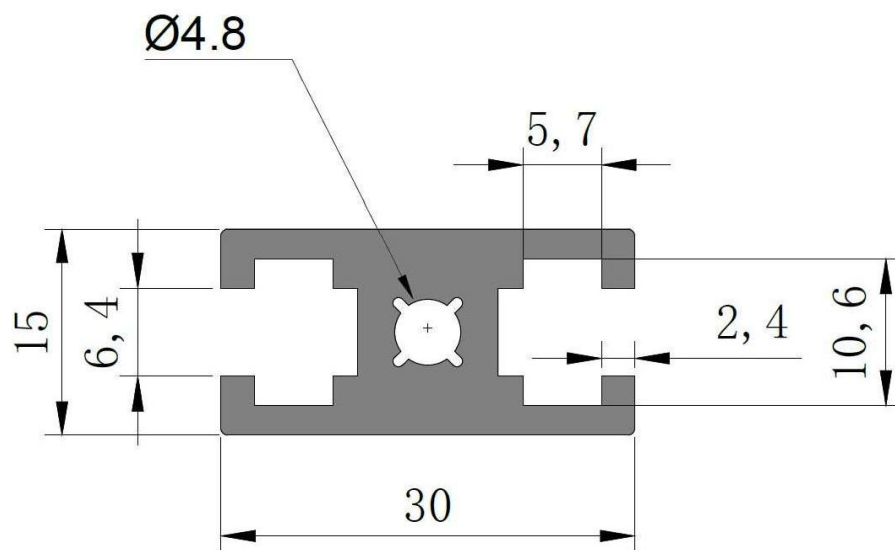
Strut Profile PG15 - 15x30H

Strut Profile PG15 featuring 6mm T-slot is designed for constructing Light weight assemblies.

Description	Mass (kg/m)	Part No
Strut Profile PG1515x30 2 slots Heavy (SW)	0.690	1.11.15.015030.02H.SW



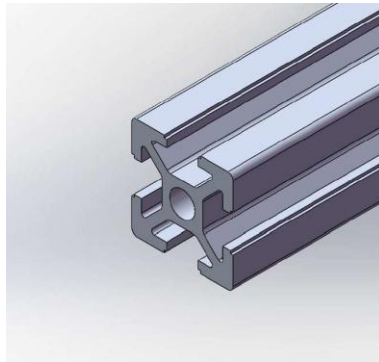
15X30 2 Slots Heavy



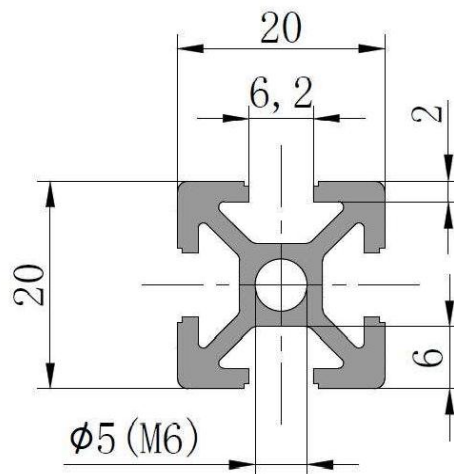
Strut Profile PG20 - 20x20

Strut Profile PG20 featuring 6mm T-slot is designed for constructing Light weight assemblies.

Description	Mass (kg/m)	Part No
Strut Profile PG20 20x20 4 slots (SW)	0.486	1.11.20.020020.04.SW



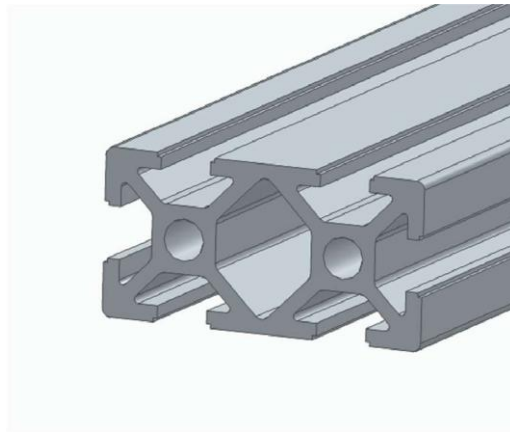
20X20 4 slots



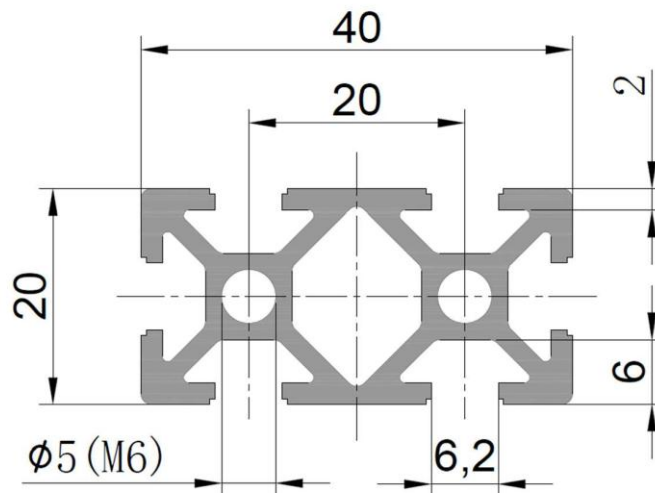
Strut Profile PG20

Strut Profile PG20 featuring 6mm T-slot is designed for constructing heavy weight assemblies.

Description	Mass (kg/m)	Part No
Strut Profile PG20 20x40 6 slots (SW)	0.88	1.11.20.020040.06. SW



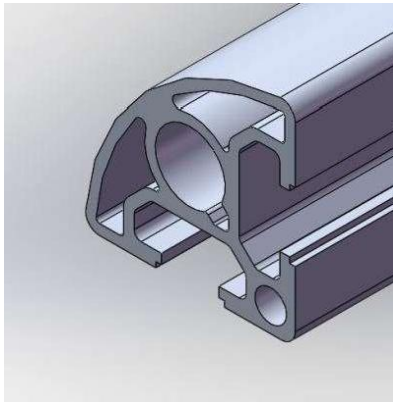
20X40 6 slots (SW)



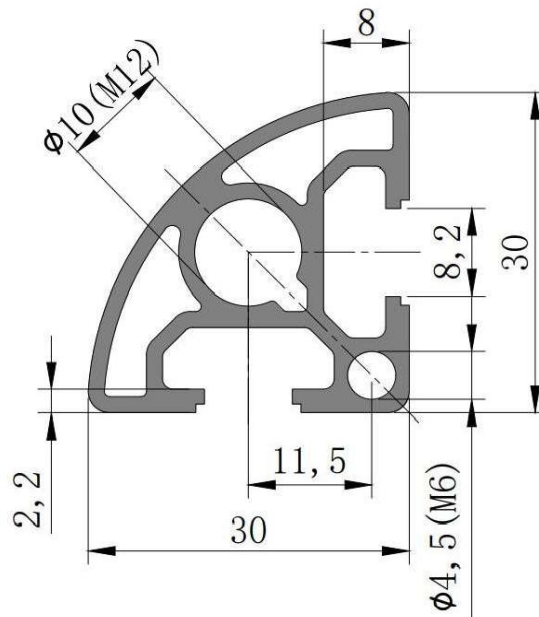
Strut Profile PG30 - 30 R90

Strut Profile PG30 featuring 8mm T-slot is designed for constructing Medium weight assemblies.

Description	Mass (kg/m)	Part No
Strut Profile PG30 R90 2 slots (SW)	0.517	1.11.30.030030.R90.02.SW



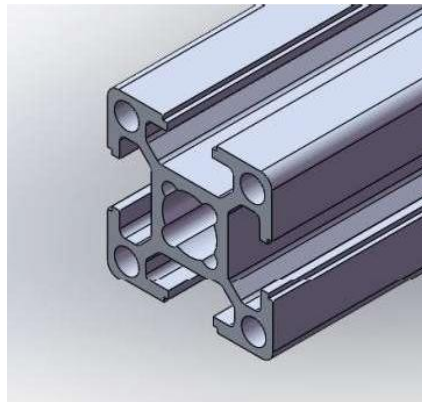
30X30 R90 2 slots



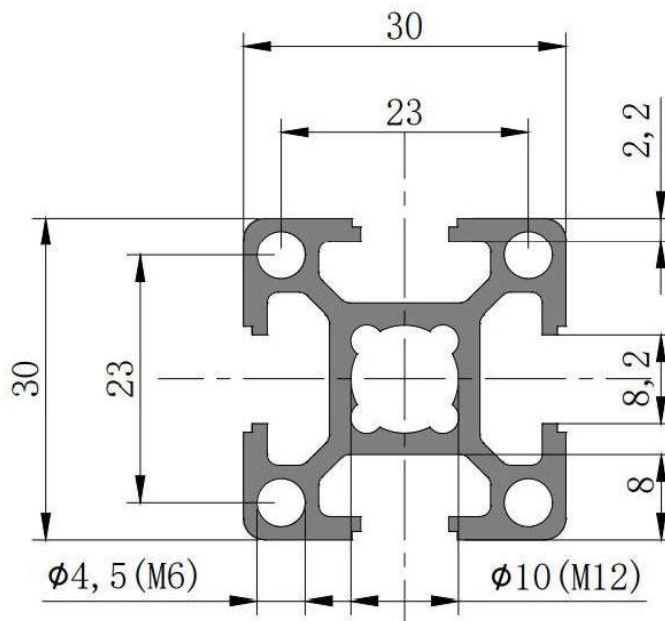
Strut Profile PG30 - 30x30

Strut Profile PG30 featuring 8mm T-slot is designed for constructing Medium weight assemblies.

Description	Mass (kg/m)	Part No
Strut Profile PG30 30x30 4 slots (SW)	0.853	1.11.30.030030.04.SW



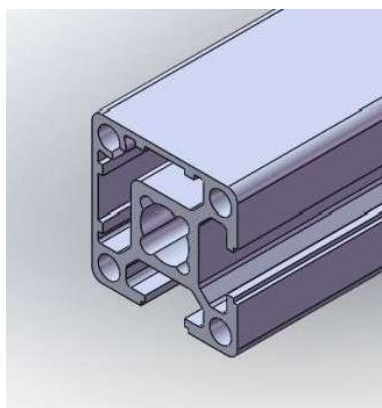
30X30 4 slots



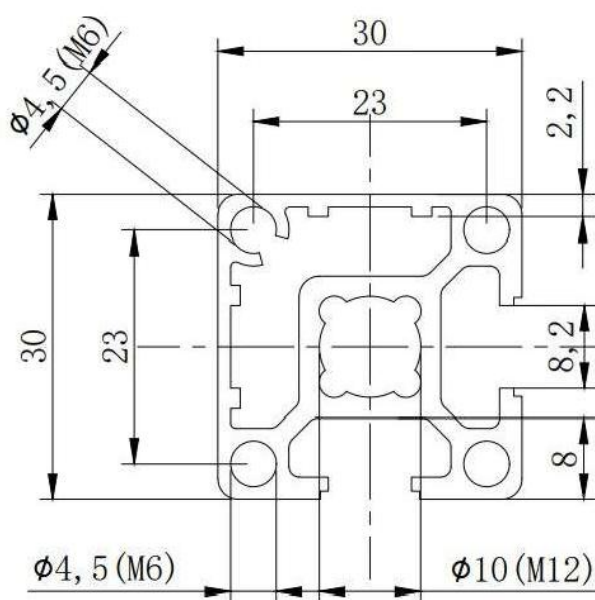
Strut Profile PG30 - 30x30A

Strut Profile PG30 featuring 8mm T-slot is designed for constructing Medium weight assemblies.

Description	Mass (kg/m)	Part No
Strut Profile PG30 30x30 2 slots Type A (SW)	0.86	1.11.30.030030.02A.SW



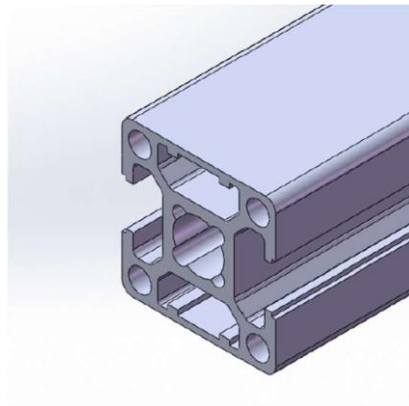
30X30 2 slots Type A



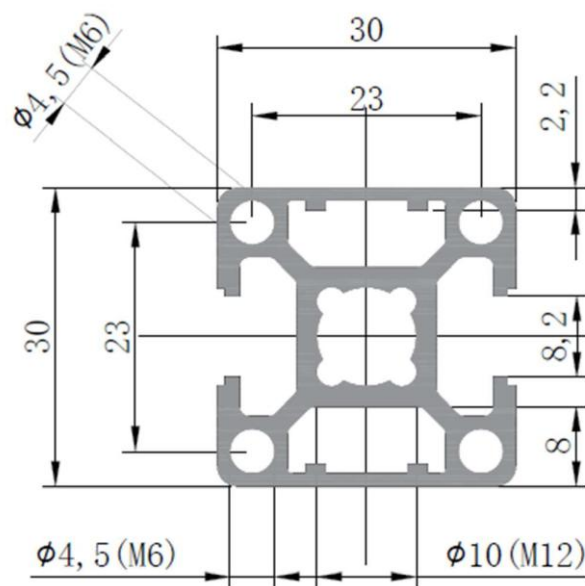
Strut Profile PG30

Strut Profile PG30 featuring 8mm T-slot is designed for constructing heavy weight assemblies.

Description	Mass (kg/m)	Part No
Strut Profile PG30 3030 2slots Type B (SW)	0.902	1.11.30.030030.02B.ECO.SW



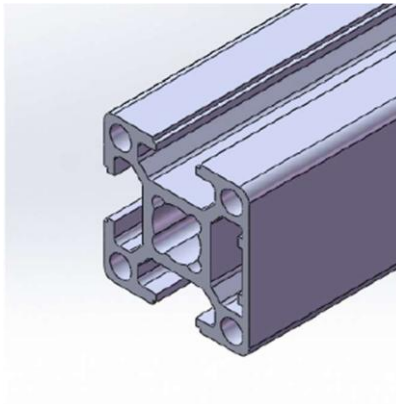
30X30 2 slots Type B (SW)



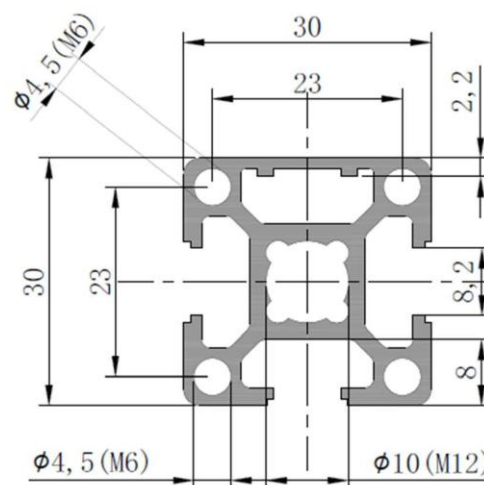
Strut Profile PG30

Strut Profile PG30 featuring 8mm T-slot is designed for constructing heavy weight assemblies.

Description	Mass (kg/m)	Part No
Strut Profile PG30 3030 3 slots (SW)	0.881	1.11.30.030030.03.ECO.SW



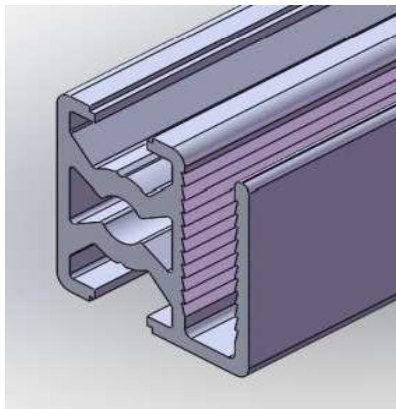
30X30 3 slots (SW)



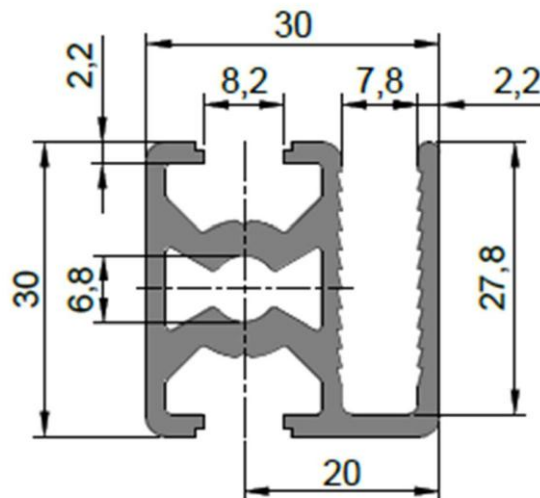
Protective Grille Profile PG30

Protective Grille Profile which is used to produce the professional machine guard and enclosure system, have the same feature size with the corresponding strut profile.

Description	Mass (kg)	Part No
Protective Grille Profile PG30 30x30 1 slot Grille slot (SW)	0.943	1.22.30.030030.01.SW



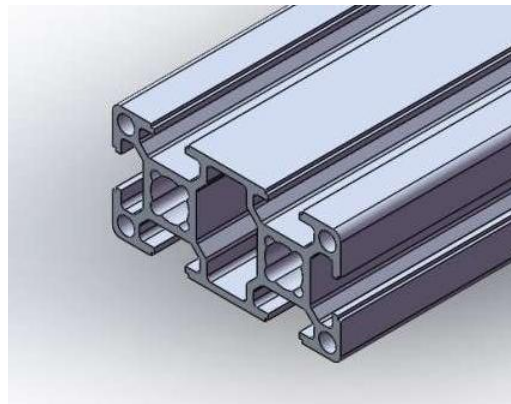
30X30 1 Grille slot



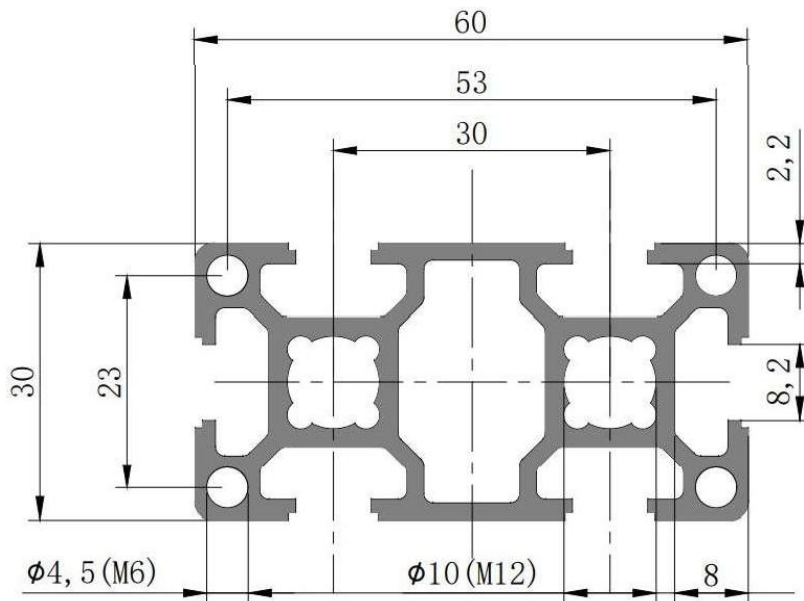
Strut Profile PG30 - 30x60

Strut Profile PG30 featuring 8mm T-slot is designed for constructing Medium weight assemblies.

Description	Mass (kg/m)	Part No
Strut Profile PG30 30x60 6 slots (SW)	1.507	1.11.30.030060.06.SW



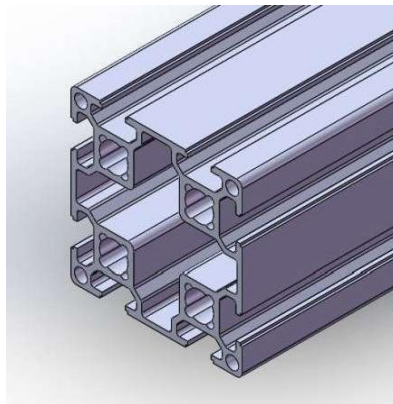
30X60 6 slots



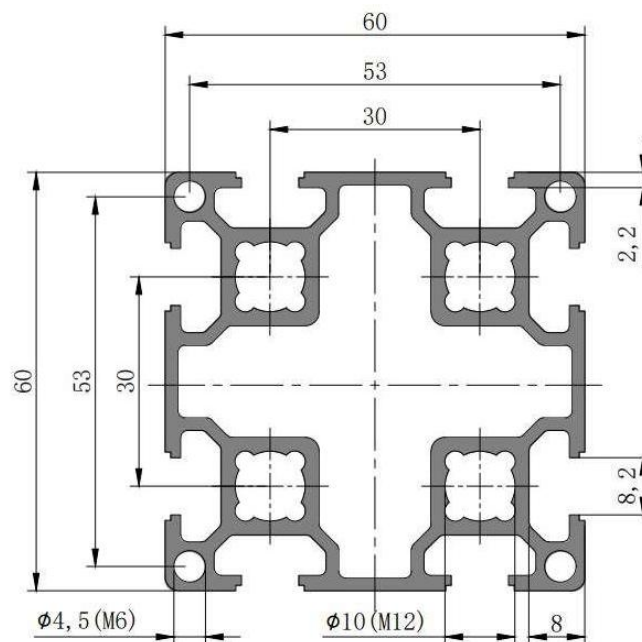
Strut Profile PG30 - 60x60

Strut Profile PG30 featuring 8mm T-slot is designed for constructing Medium & Heavy weight assemblies.

Description	Mass (kg/m)	Part No
Strut Profile PG30 60x60 8 slots (SW)	2.416	1.11.30.060060.08.SW



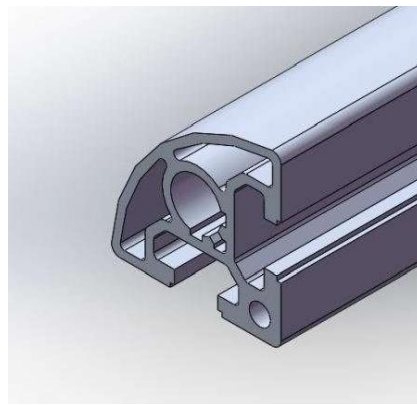
60X60 8 slots



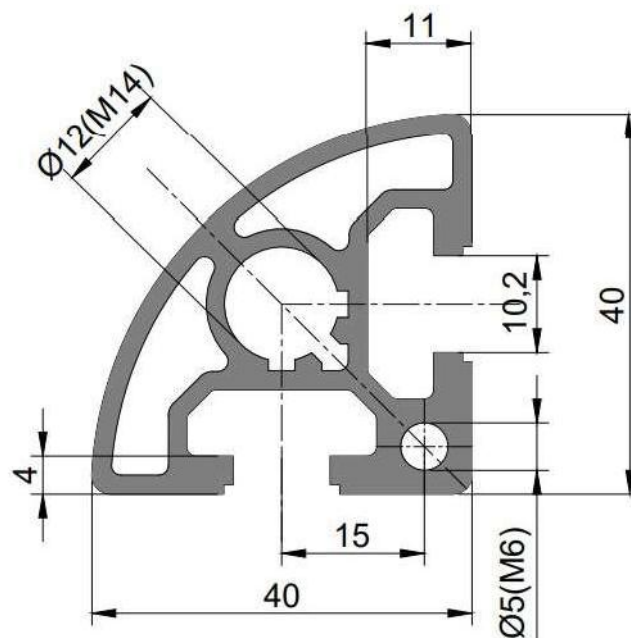
Strut Profile PG40 - 40 R90

Strut Profile PG40 featuring 10mm T-slot is designed for constructing Heavy weight assemblies.

Description	Mass (kg/m)	Part No
Strut Profile PG40 R90 2 slots Heavy (SW)	1.33	1.11.40.040040.R90.02H.SW



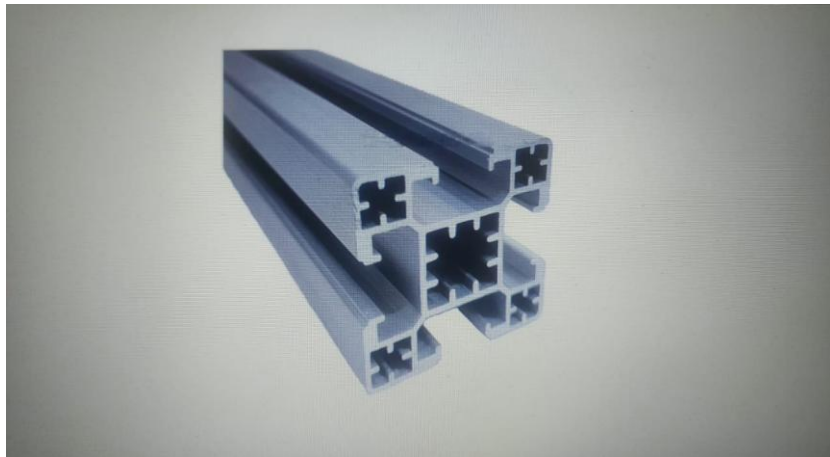
40X40 R90 2 slots Heavy



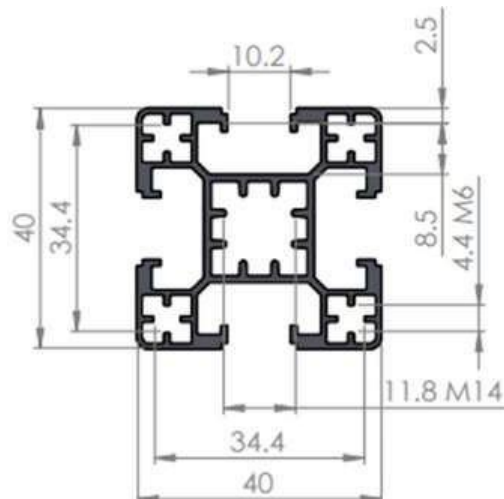
Strut Profile PG40 - 40x40 SL

Strut Profile PG40 featuring 10mm T-slot is designed for making light weight assemblies.

Description		Part Number
Strut Profile PG40 40x40 4 slots superlight (SW)		1.11.40.040040.04.SL. SW



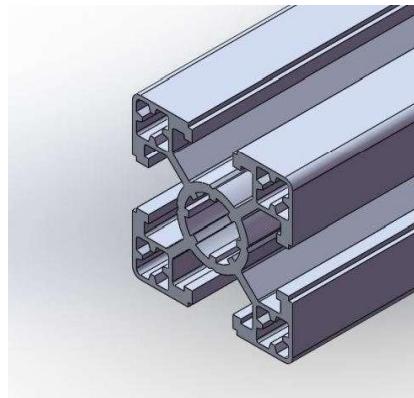
40x40 4 Slots Super Light



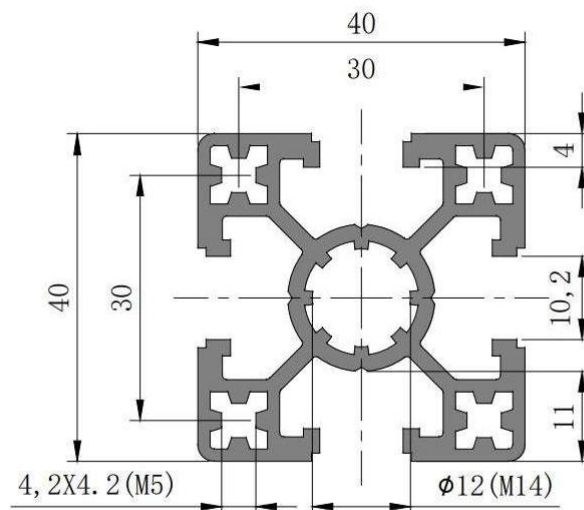
Strut Profile PG40 - 40x40M

Strut Profile PG40 featuring 10mm T-slot is designed for constructing Medium & Heavy weight assemblies.

Description	Mass (kg/m)	Part No
Strut Profile PG40 40x40 4 slots Medium (SW)	1.459	1.11.40.040040.04M.SW



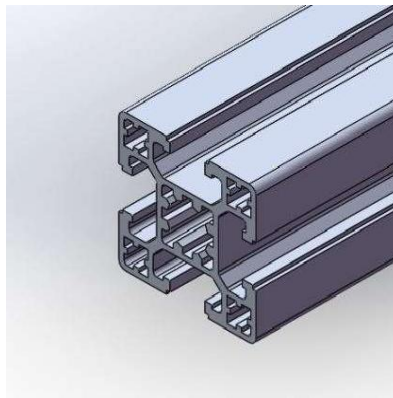
40X40 4 slots Medium



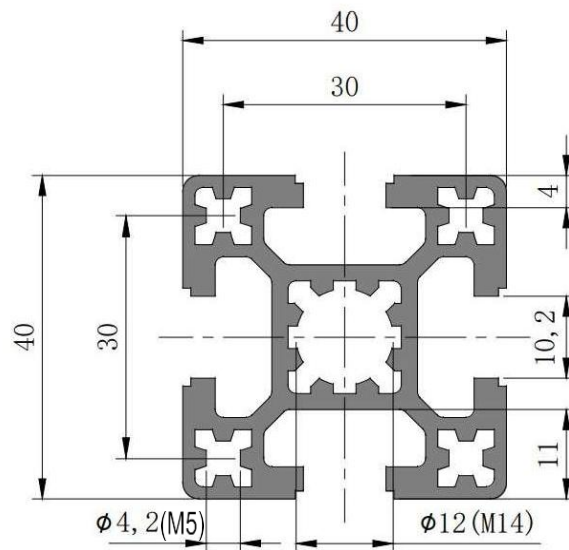
Strut Profile PG40 - 40x40H

Strut Profile PG40 featuring 10mm T-slot is designed for constructing Medium & Heavy weight assemblies.

Description	Mass (kg/m)	Part No
Strut Profile PG40 40x40 4 slots Heavy (SW)	1.607	1.11.40.040040.04H.SW



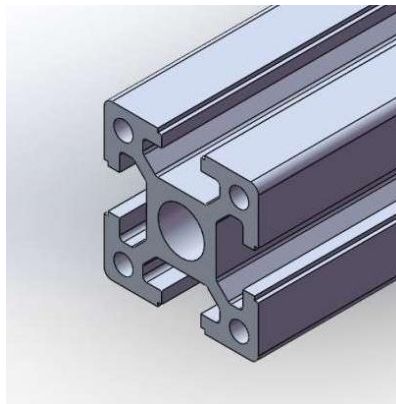
40X40 4 slots Heavy



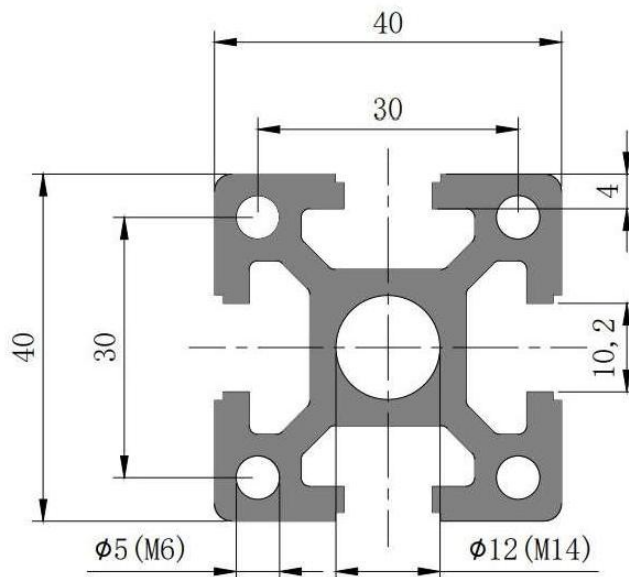
Strut Profile PG40 - 40x40XH

Strut Profile PG40 featuring 10mm T-slot is designed for constructing Heavy weight assemblies.

Description	Mass (kg/m)	Part No
Strut Profile PG40 40x40 4 slots Extra Heavy (SW)	1.96	1.11.40.040040.04XH.SW



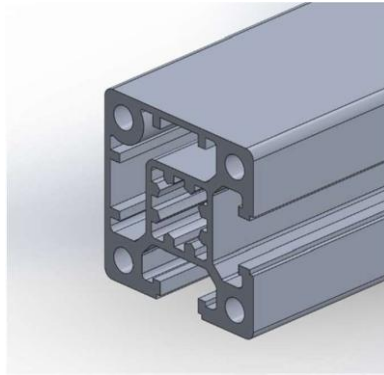
40X40 4 slots Extra Heavy



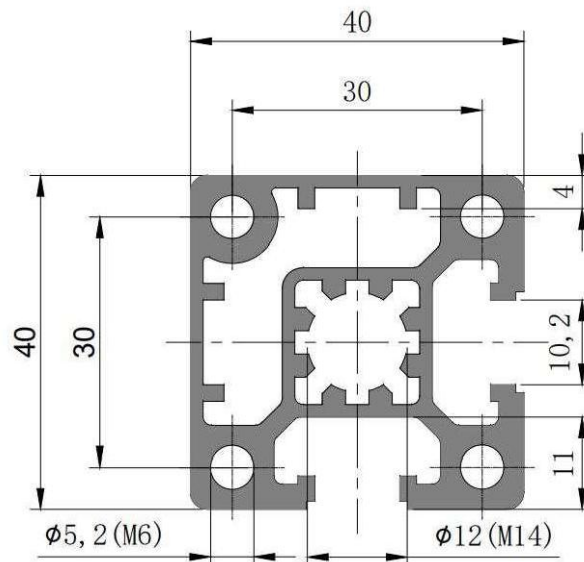
Strut Profile PG40

Strut Profile PG40 featuring 10mm T-slot is designed for constructing heavy weight assemblies, such as work station, exhibition stand, machinery frame, conveyor stand etc.

Description	Mass (kg/m)	Part No
Strut Profile PG40 40x40 2 slots Type A (SW)	1.673	1.11.40.040040.02A.SW



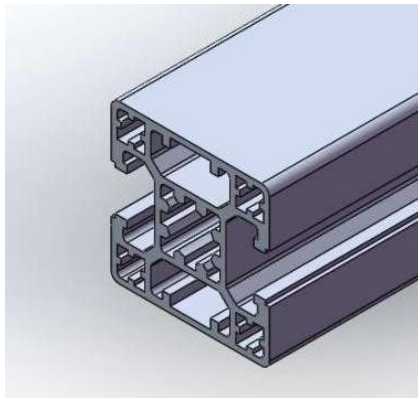
40X40 2 slots Type A



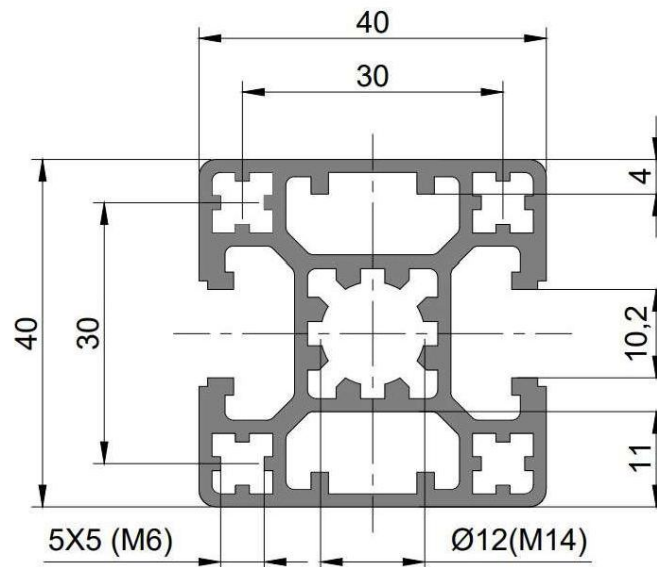
Strut Profile PG40 - 40x40B

Strut Profile PG40 featuring 10mm T-slot is designed for constructing Medium & Heavy weight assemblies.

Description	Mass (kg/m)	Part No
Strut Profile PG40 40x40 2 slots Type B (SW)	1.48	1.11.40.040040.02B.SW



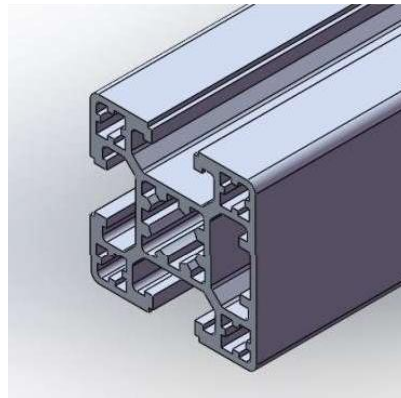
40X40 2 slots Type B



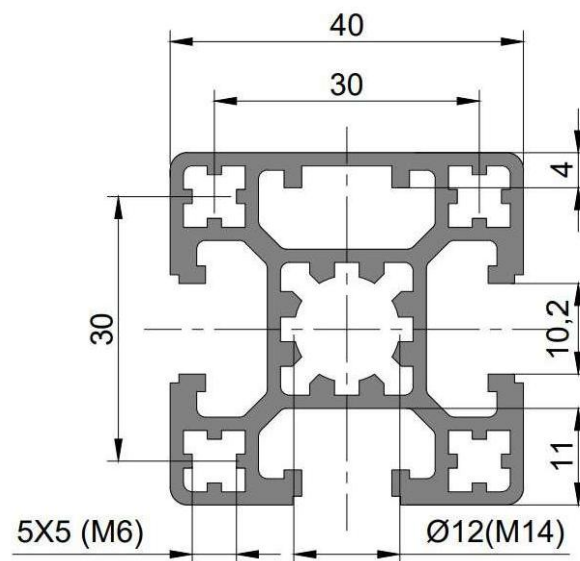
Strut Profile PG40 - 40x40 3S

Strut Profile PG40 featuring 10mm T-slot is designed for constructing Medium & Heavy weight assemblies.

Description	Mass (kg/m)	Part No
Strut Profile PG40 40x40 3 slots (SW)	1.45	1.11.40.040040.03.SW



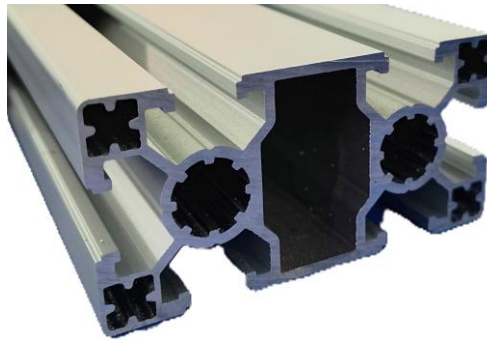
40X40 3 slots



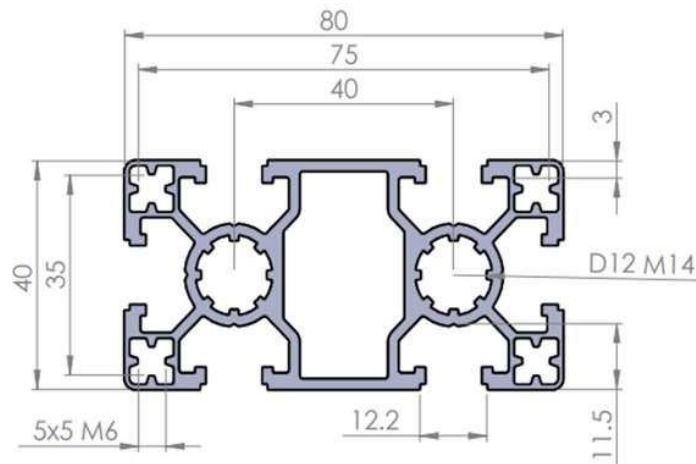
Strut Profile PG40 - 40x80 L

Strut Profile PG40 featuring 10mm T-slot is designed for making light weight assemblies.

Description		Part Number
Strut Profile PG40 40x80 6 slots Light (SW)		1.11.40.040080.06.L. SW



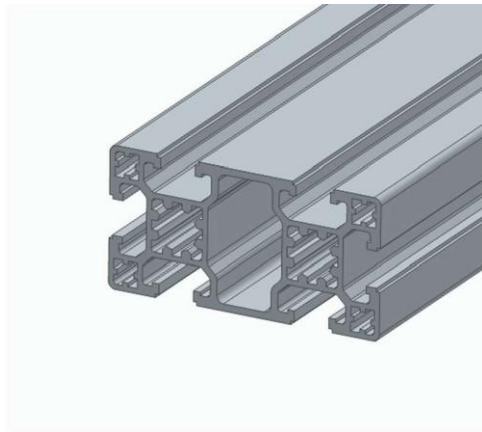
40X80 6 slots Light



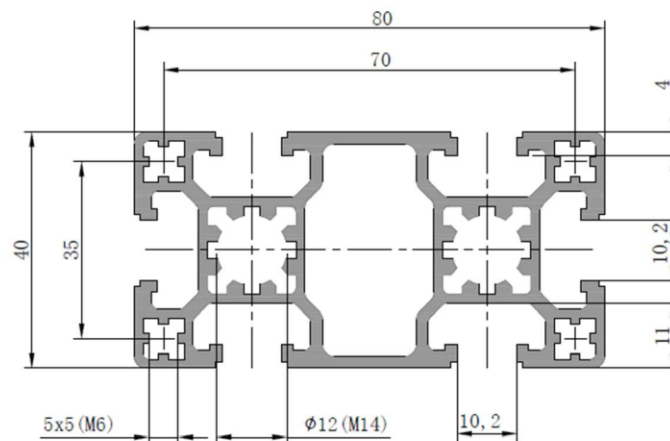
Strut Profile PG40

Strut Profile PG40 featuring 10mm T-slot is designed for constructing heavy weight assemblies.

Description	Mass (kg/m)	Part No
Strut Profile PG40 40X80 4 slots Medium (SW)	2.45	1.11.40.040080.06.M. SW



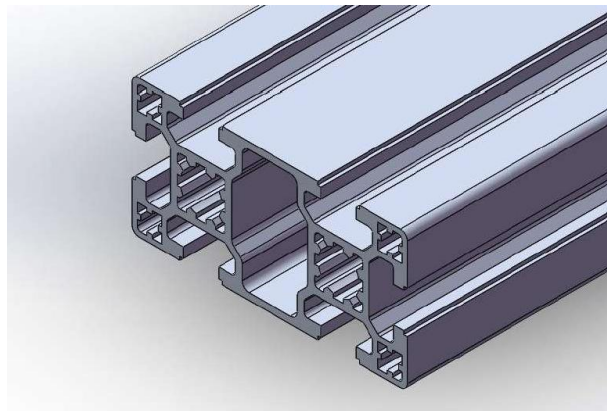
40X80 6 slots M (SW)



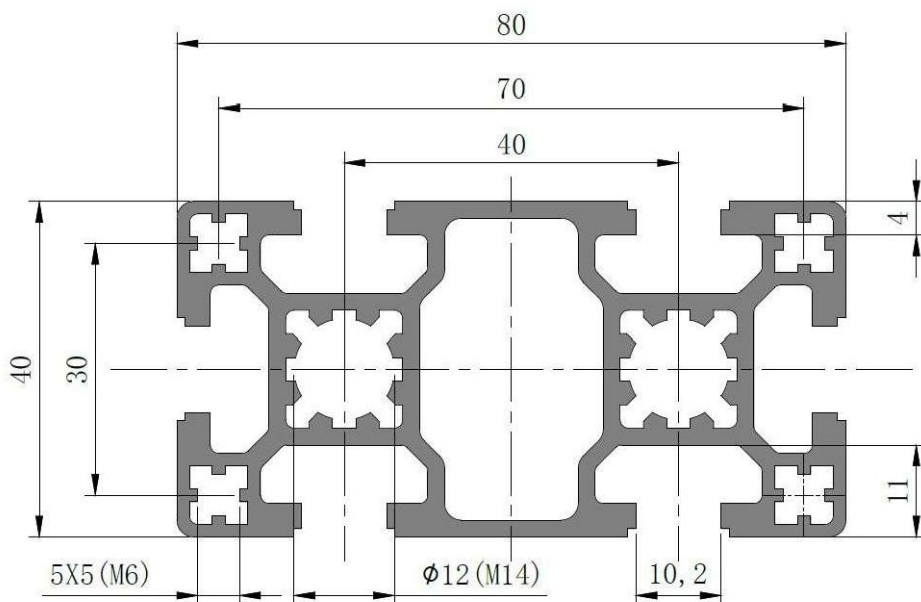
Strut Profile PG40 - 40x80H

Strut Profile PG40 featuring 10mm T-slot is designed for constructing Medium & Heavy weight assemblies.

Description	Mass (kg/m)	Part No
Strut Profile PG40 40x80 6 slots Heavy (SW)	2.61	1.11.40.040080.06H.SW



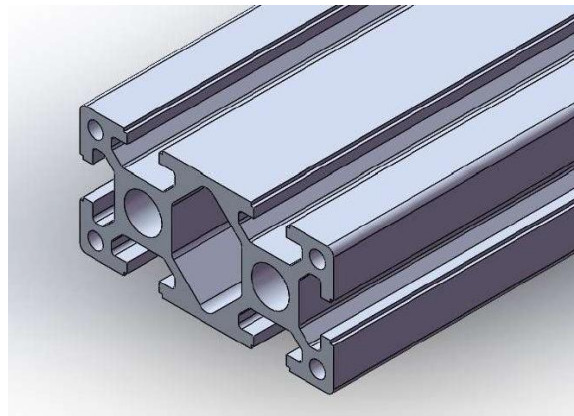
40X80 6 slots Heavy



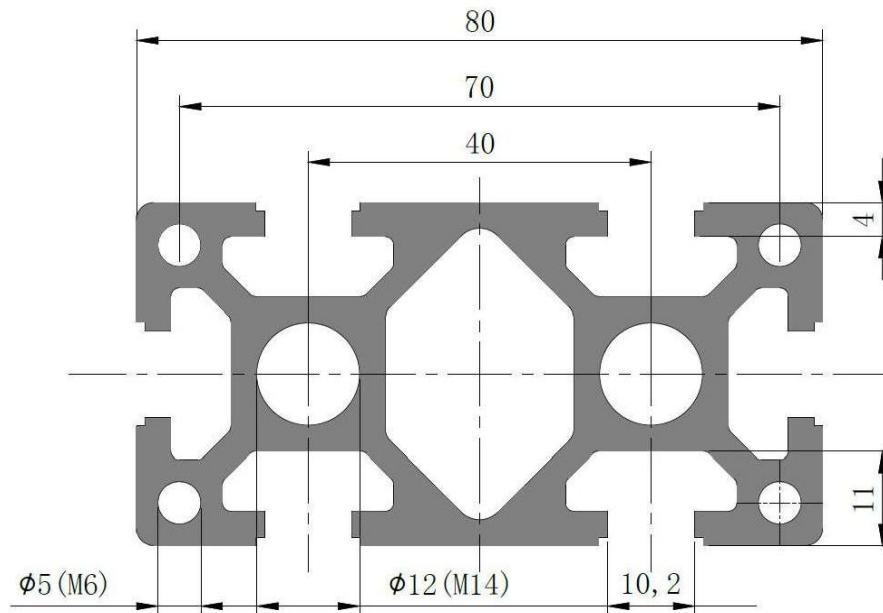
Strut Profile PG40 - 40x80XH

Strut Profile PG40 featuring 10mm T-slot is designed for constructing Heavy weight assemblies.

Description	Mass (kg/m)	Part No
Strut Profile PG40 40x80 6 slots Extra Heavy (SW)	3.56	1.11.40.040080.06XH.SW



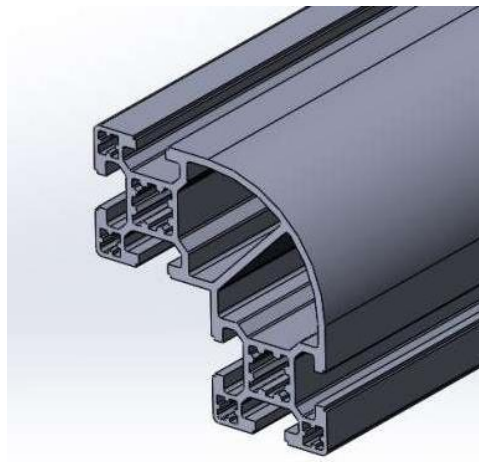
40X80 6 slots Extra Heavy



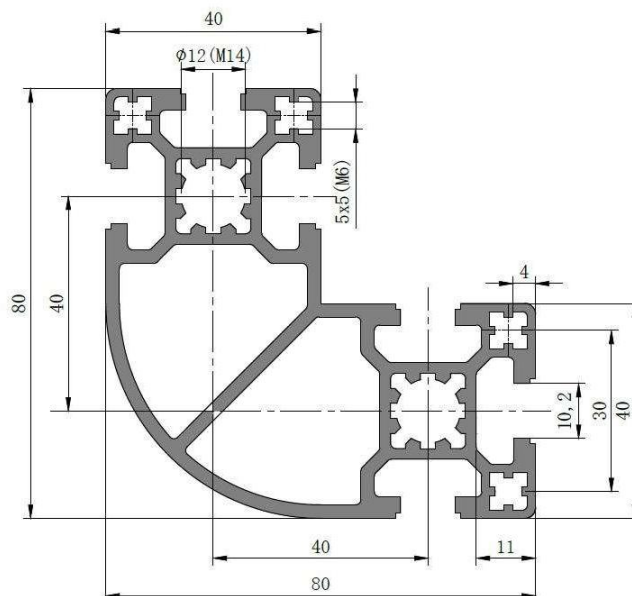
Strut Profile PG40 - 80 R90

Strut Profile PG40 featuring 10mm T-slot is designed for constructing Heavy weight assemblies.

Description	Mass (kg/m)	Part No
Strut Profile PG40 80x80 R90 6 slots (SW)	3.37	1.11.40.080080.R90.06.SW



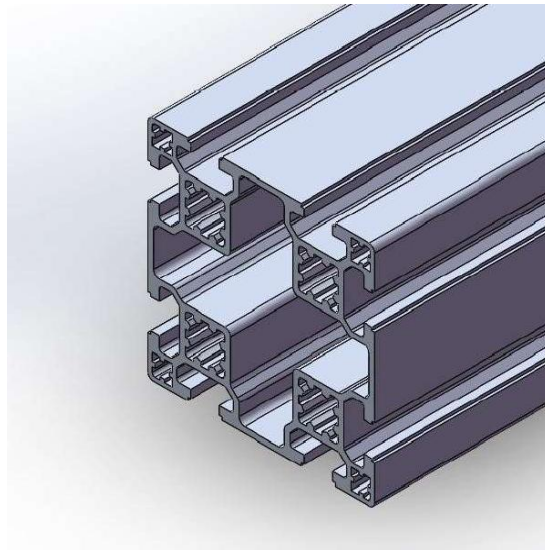
80X80 R90 2 slots



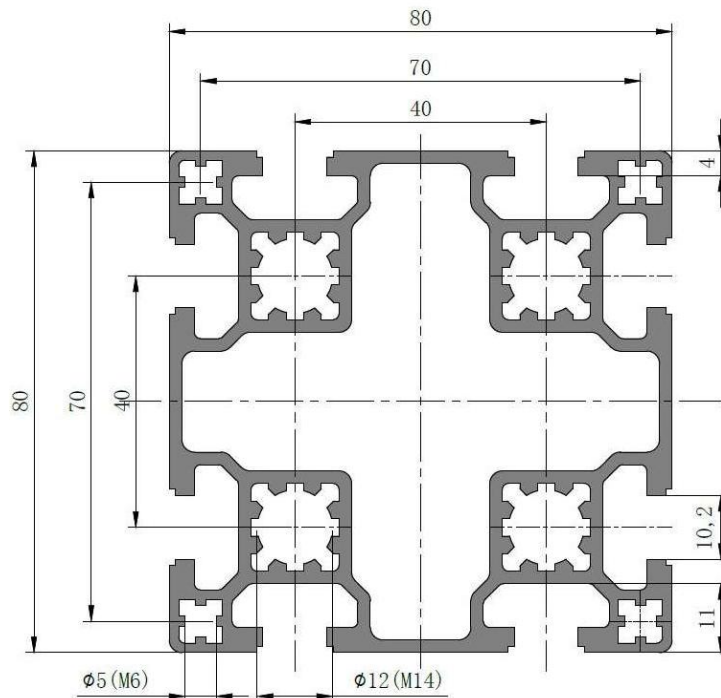
Strut Profile PG40 - 80x80H

Strut Profile PG40 featuring 10mm T-slot is designed for constructing Heavy weight assemblies.

Description	Mass (kg/m)	Part No
Strut Profile PG40 80x80 8 slots Heavy (SW)	4.136	1.11.40.080080.08H.SW



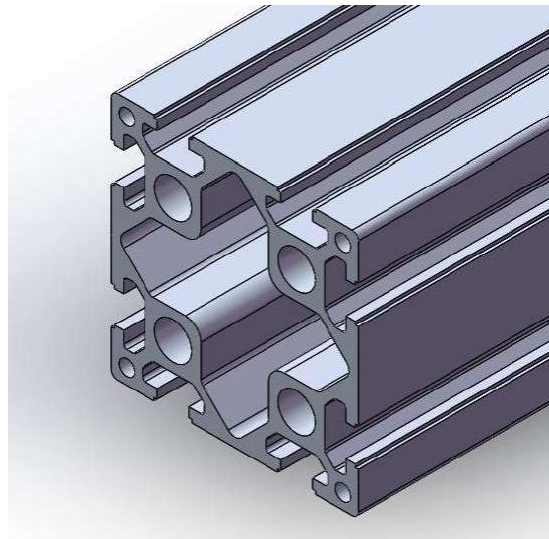
80X80 8 slots Heavy



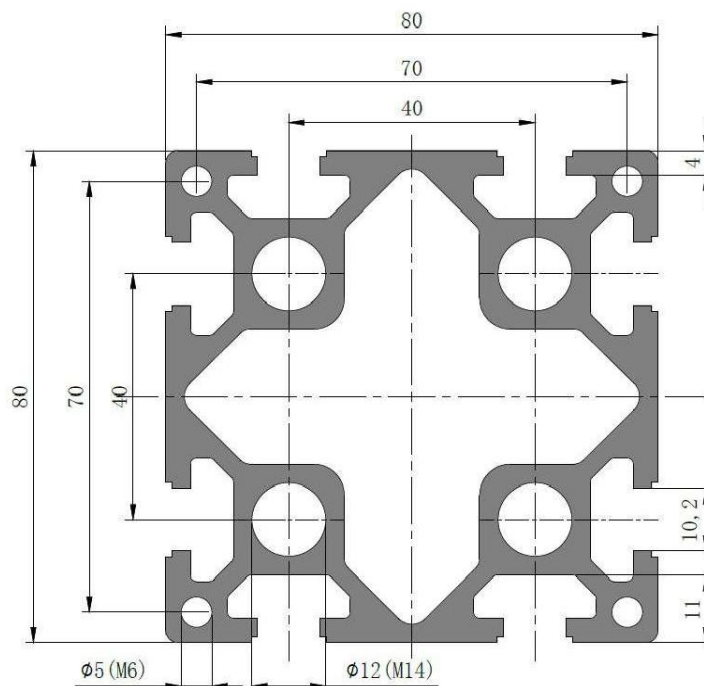
Strut Profile PG40 - 80x80XH

Strut Profile PG40 featuring 10mm T-slot is designed for constructing Heavy weight assemblies.

Description	Mass (kg/m)	Part No
Strut Profile PG40 80x80 8 slots Extra Heavy (SW)	5.676	1.11.40.080080.08XH.SW



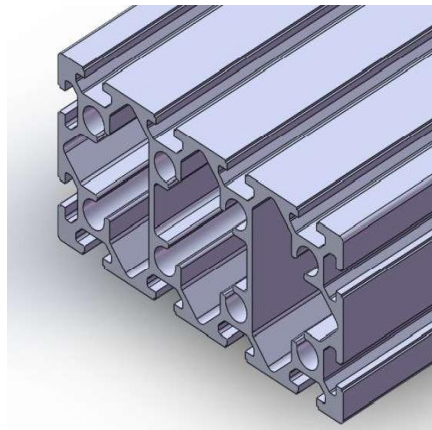
80X80 8 slots Extra Heavy



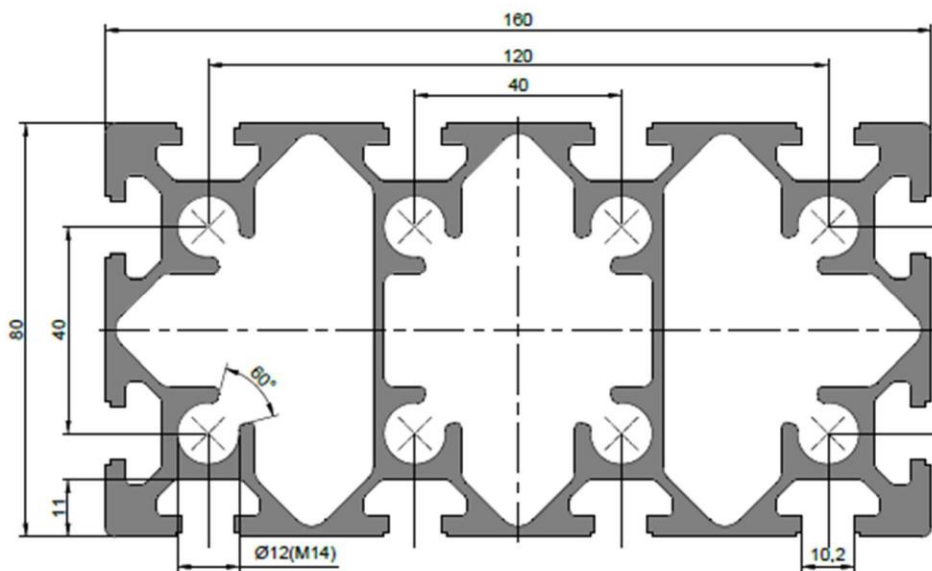
Strut Profile PG40

Strut Profile PG40 featuring 10mm T-slot is designed for constructing Heavy weight assemblies, such as workstation, exhibition stand, machinery frame, conveyor stand etc.

Description	Mass (kg/m)	Part No
Strut Profile PG40 80x160 12 slots (SW)	8.847	1.11.40.080160.12.SW



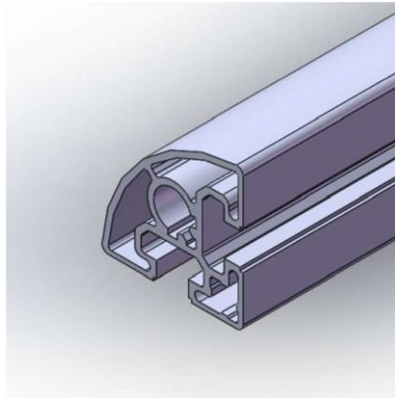
80X160 12 slots



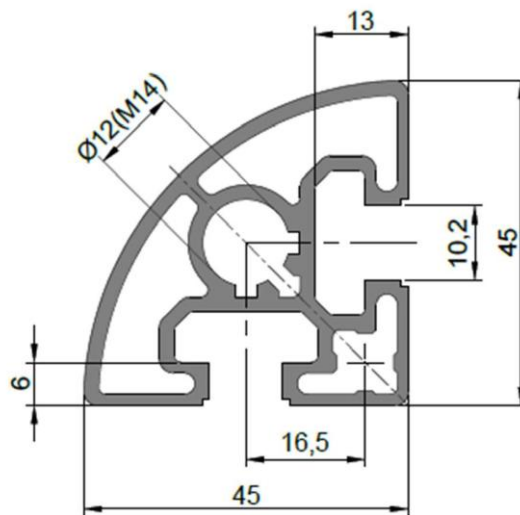
Strut Profile PG45

Strut Profile PG45 featuring 10mm T-slot is designed for constructing Heavy weight assemblies such as machine structure frame and workshop partition etc.

Description	Mass (kg/m)	Part No
Strut Profile PG45 45X45 R90 2 slots (SW)	1.395	1.11.45.045045.R90.02H.SW



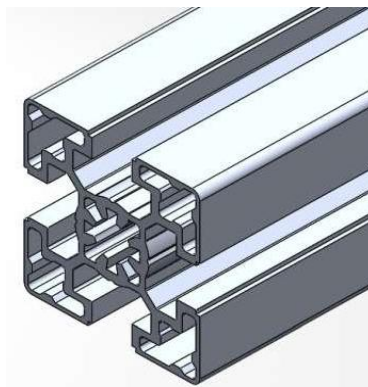
45X45 R90 2 slots



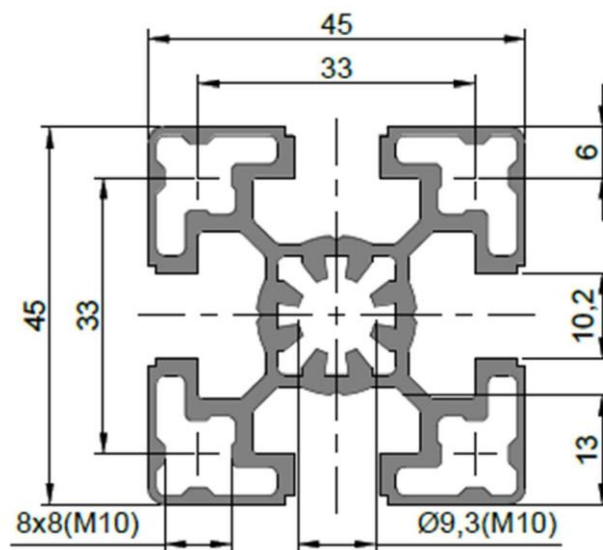
Strut Profile PG45

Strut Profile PG45 featuring 10mm T-slot is designed for constructing Light weight assemblies such as machine structure frame and workshop partition etc.

Description	Mass (kg/m)	Part No
Strut Profile PG45 45x45 4 slots Light (SW)	1.20	1.11.45.045045.04L.SW



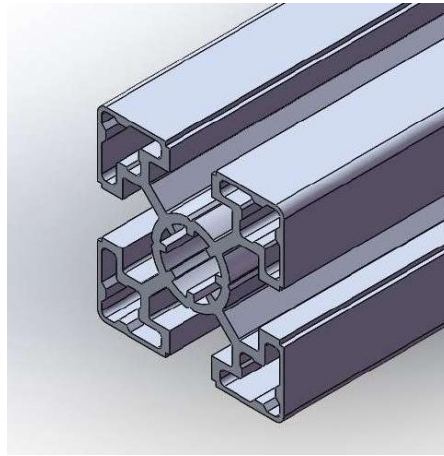
45X45 4 slots Light



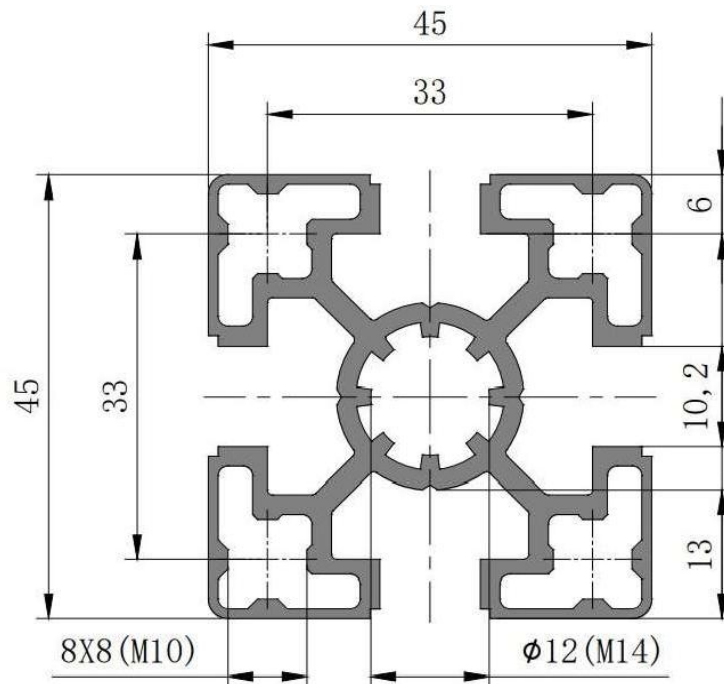
Strut Profile PG45 - 45x45M

Strut Profile PG45 featuring 10mm T-slot is designed for constructing Heavy weight assemblies.

Description	Mass (kg/m)	Part No
Strut Profile PG45 45x45 4 slots Medium (SW)	1.544	1.11.45.045045.04M.SW



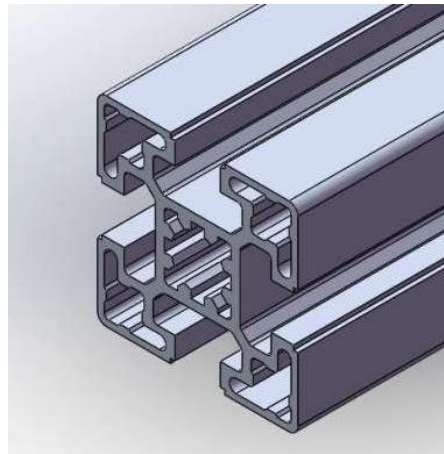
45X45 4 slots Medium



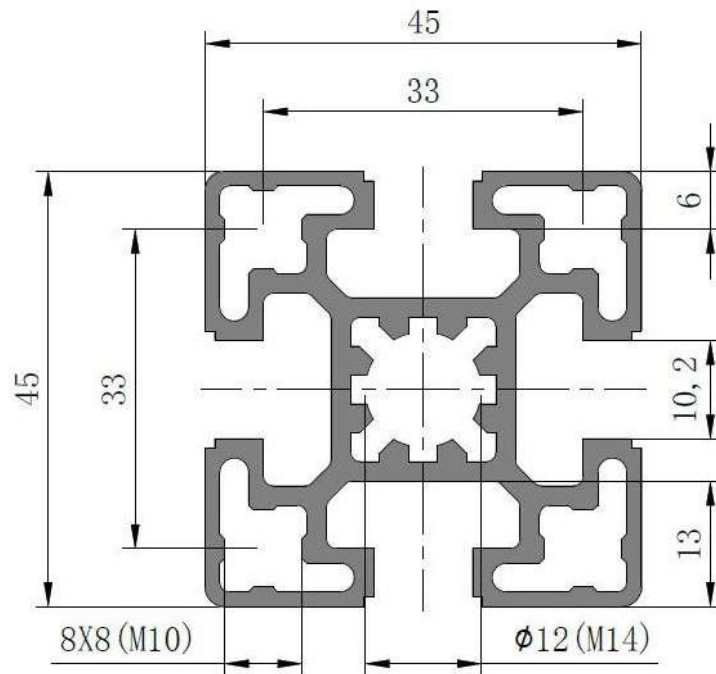
Strut Profile PG45 - 45x45H

Strut Profile PG45 featuring 10mm T-slot is designed for constructing Heavy weight assemblies.

Description	Mass (kg/m)	Part No
Strut Profile PG45 45x45 4 slots Heavy (SW)	1.729	1.11.45.045045.04H.SW



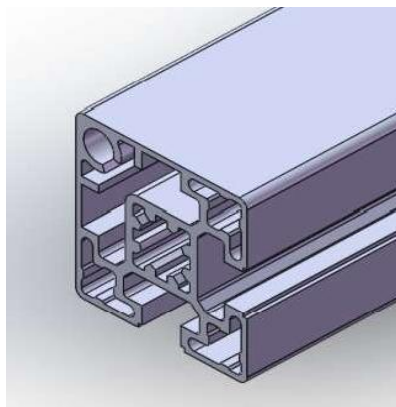
45X45 4 slots Heavy



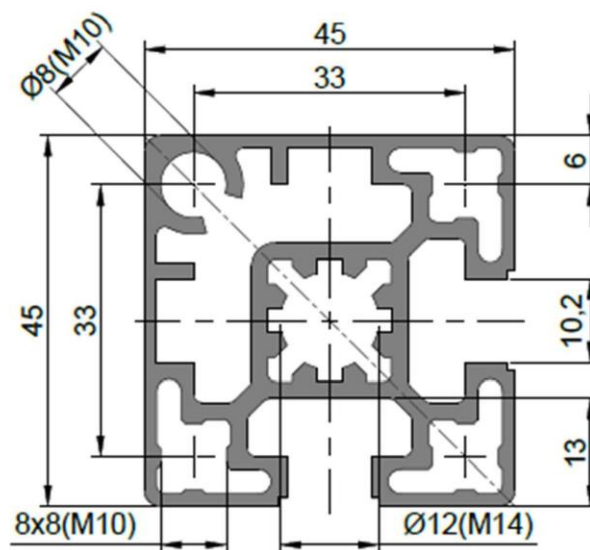
Strut Profile PG45

Strut Profile PG45 featuring 10mm T-slot is designed for constructing Heavy weight assemblies such as machine structure frame and workshop partition etc.

Description	Mass (kg/m)	Part No
Strut Profile PG45 45x45 2 slots Type A (SW)	1.791	1.11.45.045045.02A.SW



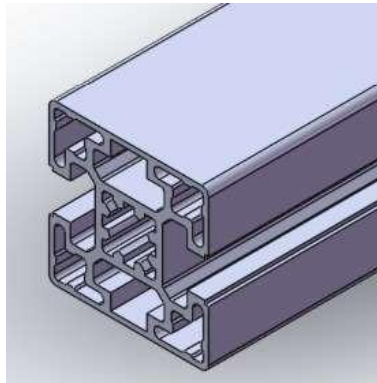
45X45 2 slots Type A



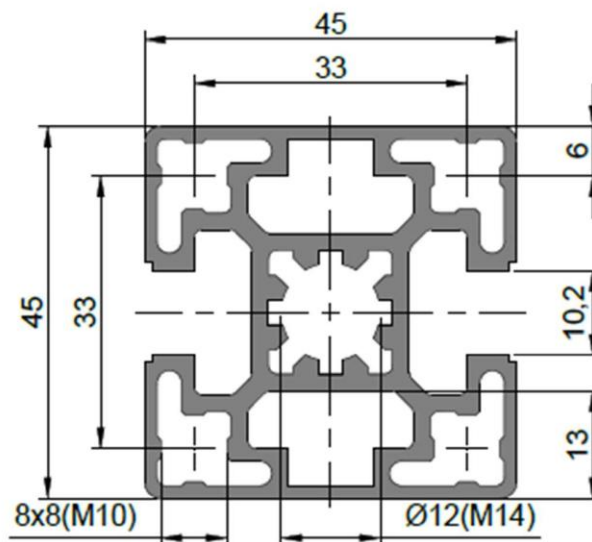
Strut Profile PG45

Strut Profile PG45 featuring 10mm T-slot is designed for constructing Heavy weight assemblies such as machine structure frame and workshop partition etc.

Description	Mass (kg/m)	Part No
Strut Profile PG45 45x45 2 slots Type B (SW)	1.83	1.11.45.045045.02B.SW



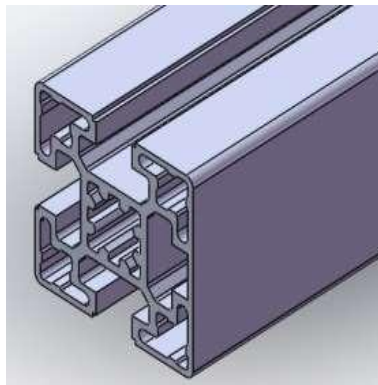
45X45 2 slots Type B



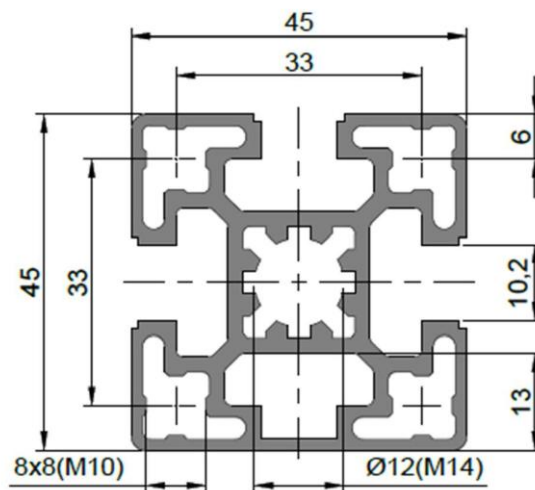
Strut Profile PG45

Strut Profile PG45 featuring 10mm T-slot is designed for constructing Heavy weight assemblies such as machine structure frame and workshop partition etc.

Description	Mass (kg/m)	Part No
Strut Profile PG45 45x45 3 slots (SW)	1.783	1.11.45.045045.03.SW



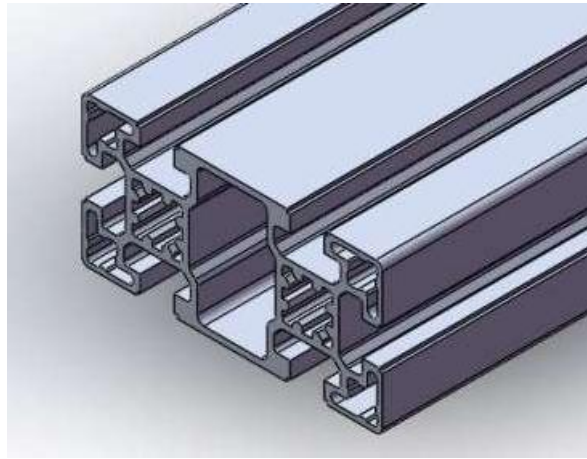
45x45 3 slots



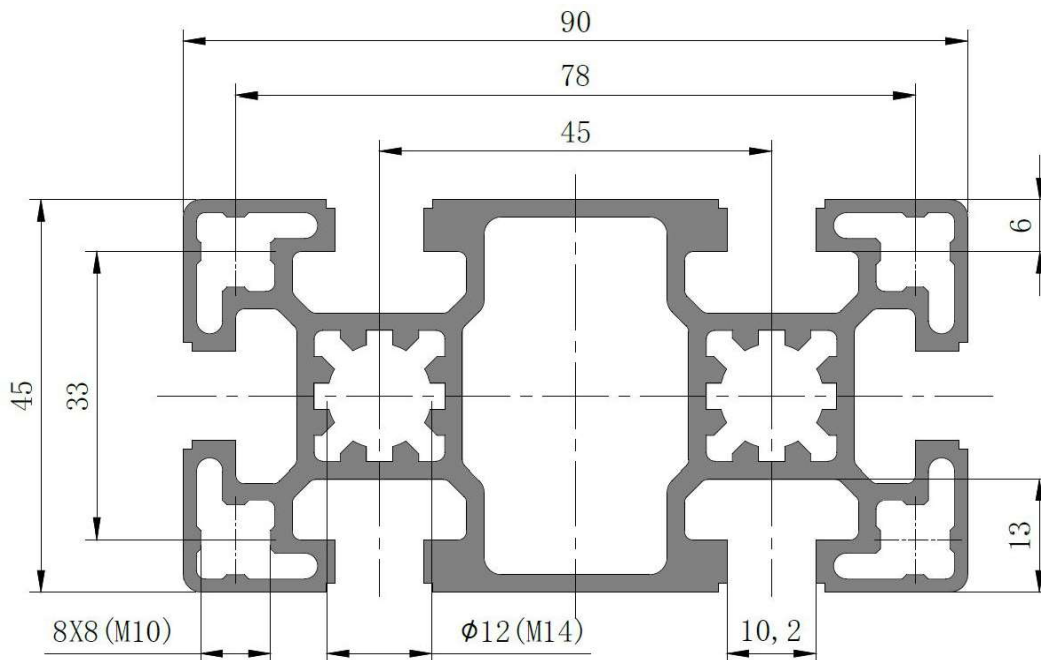
Strut Profile PG45 - 45x90H

Strut Profile PG45 featuring 10mm T-slot is designed for constructing Heavy weight assemblies.

Description	Mass (kg/m)	Part No
Strut Profile PG45 45x90 6 slots Heavy (SW)	3.087	1.11.45.045090.06H.SW



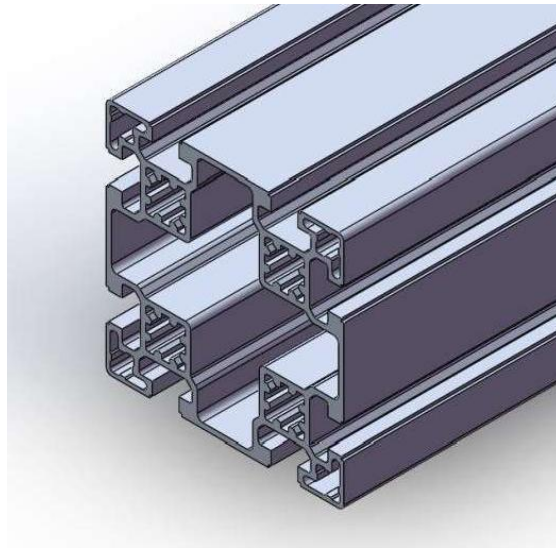
45X90 6 slots Heavy



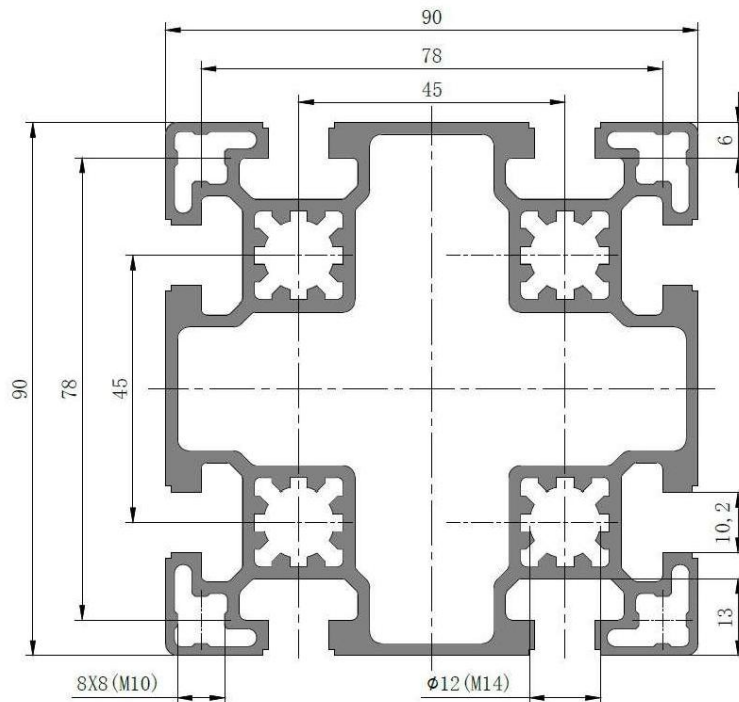
Strut Profile PG45 - 90x90H

Strut Profile PG45 featuring 10mm T-slot is designed for constructing Heavy weight assemblies.

Description	Mass (kg/m)	Part No
Strut Profile PG45 90x90 8 slots Heavy (SW)	4.92	1.11.45.090090.08H.SW



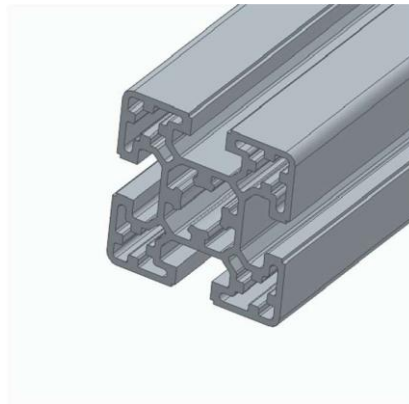
90X90 8 slots Heavy



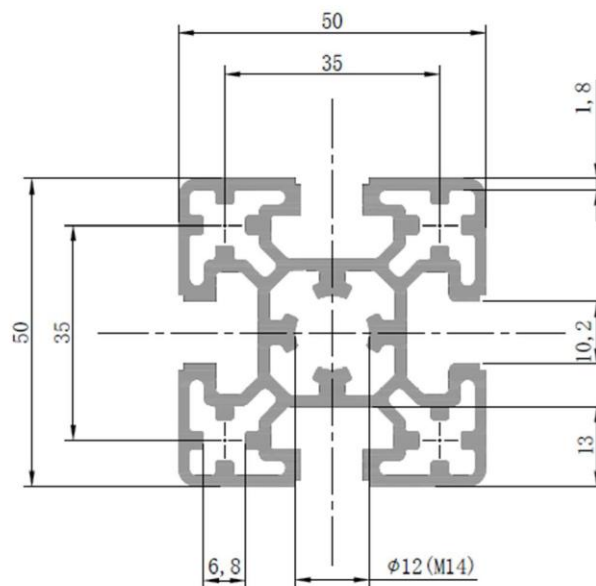
Strut Profile PG50

Strut Profile PG50 featuring 10mm T-slot is designed for constructing heavy weight assemblies.

Description	Mass (kg/m)	Part No
Strut Profile PG50 50X50 4 slots Medium (SW)	2.37	1.11.50.050050.04.M.SW



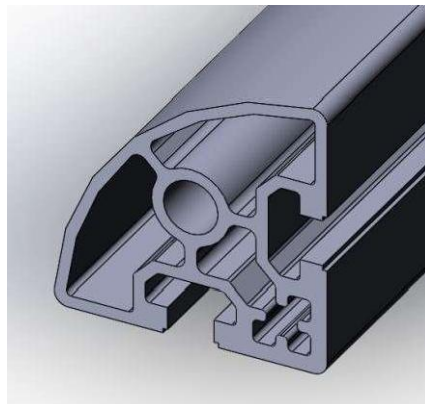
50X50 4 slots (SW)



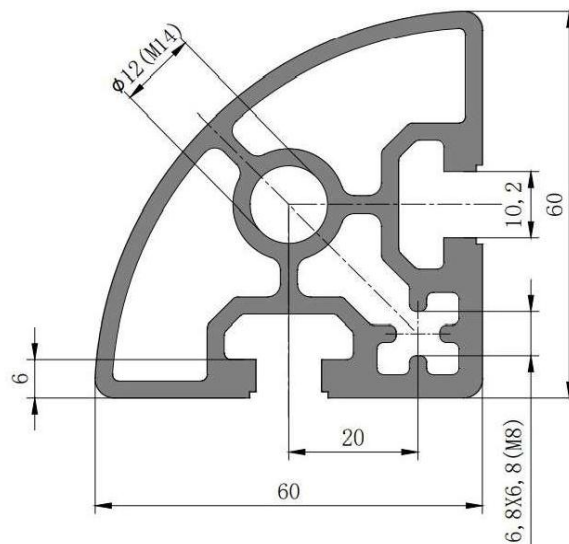
Strut Profile PG60 - 60 R90

Strut Profile PG60 featuring 10mm T-slot is designed for constructing Heavy weight assemblies.

Description	Mass (kg/m)	Part No
Strut Profile PG60 R90 2 slots (SW)	2.763	1.11.60.060060.R90.02.SW



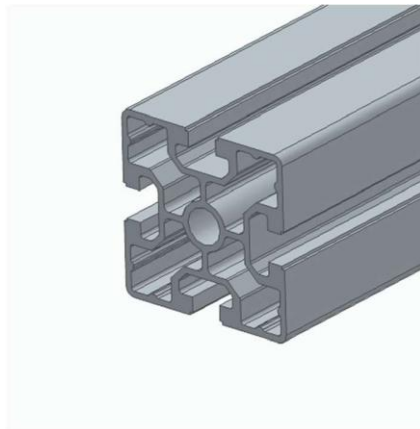
60X60 R90 2 slots



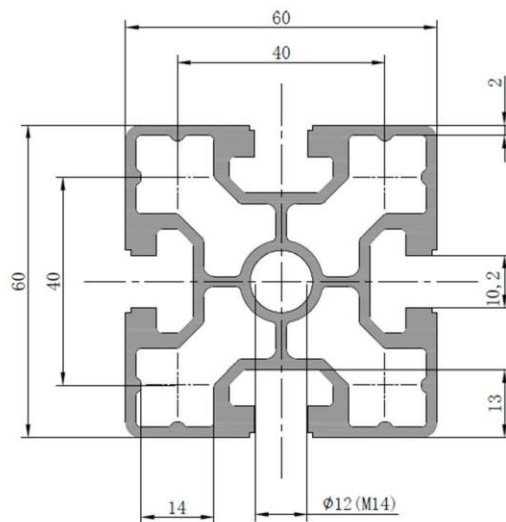
Strut Profile PG60

Strut Profile PG60 featuring 10mm T-slot is designed for constructing heavy weight assemblies.

Description	Mass (kg/m)	Part No
Strut Profile PG60 60X60 4 slots Heavy (SW)	3	1.11.60.060060.04.H. SW



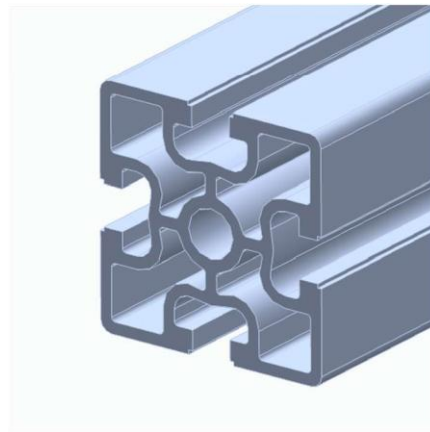
60X60 4 slots (SW)



Strut Profile PG60

Strut Profile PG60 featuring 10mm T-slot is designed for constructing Heavy weight assemblies.

Description	Mass (kg/m)	Part No
Strut Profile PG60 60x60 4 slots Extra Heavy (SW)	3.764	1.11.60.060060.04.XH.SW



60X60 4 slots

