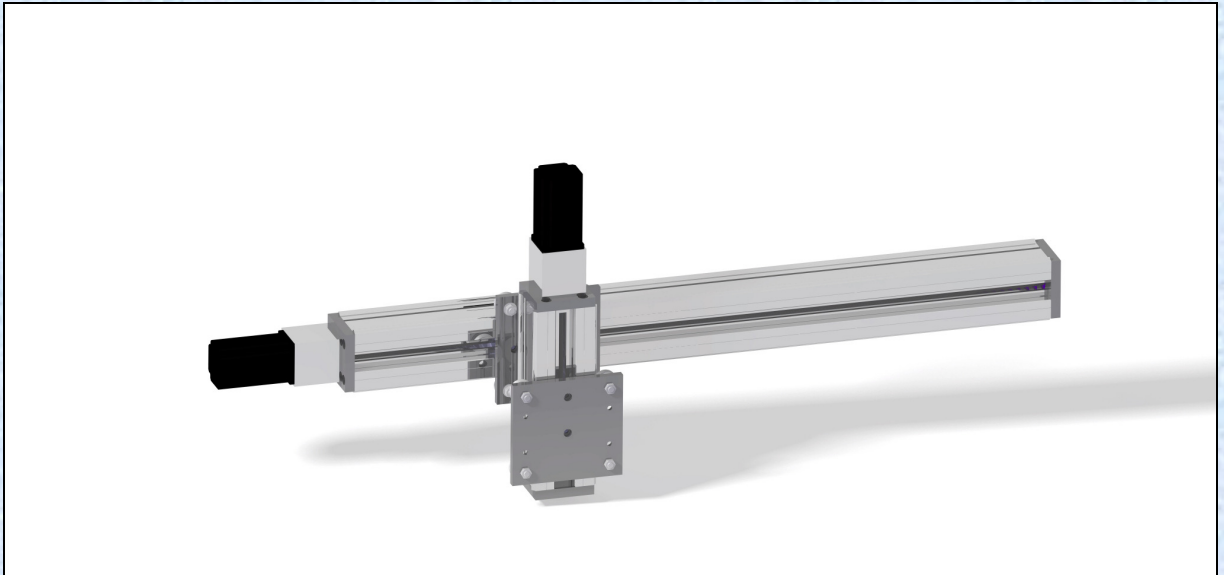


Welding Manipulators

For

In-Situ welding applications



- Portable and light weight XZ combination
- Made of light duty aluminum structural profile
- T-Slotted front plate for easy torch and Wire feeder mounting
 - Comes with a sturdy controller box in ruggedized cabinet
 - Numerous options of programming for various welding patterns
 - Includes wire feeder controller

These highly precise positioning stages are being used world over for numerous automation applications and in situ welding reconditioning of VRM rollers and tires

A set of 3 or 4 XZ stages are used for in situ reconditioning of VRM rollers and Tires. Numbers of such welding automation applications are possible.

These XZ stages consist of play free ball screw slides and can be easily Mounted in restricted spaces. Due to its light weight construction the mounting of The XZ stage does not pose any problem in restricted spaces.

A ruggedized controller accompanying these welding stages offer numerous Welding patterns and possibilities. The controller with the slides forms a complete Set for In Situ welding applications.

XZ stages are manufactured using most reliable linear motion products like re-circulating bearings and specially treated guides for longer life and trouble free operation. Added with this sturdiness, is intelligent controller that drives the stages with unmatched simplicity. These welding stages are successfully used for in situ reconditioning of VRM rollers and tires. Our control system contains all the necessary functions that are required to carry the work on site with high precision and accuracy.

Contact us for live Demo!!

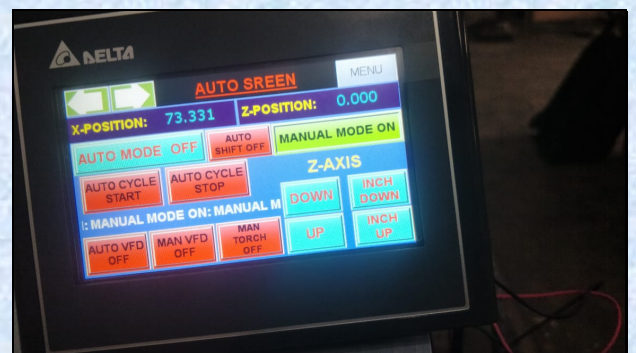
Specifications- XZ Welding Stages

Programmable Area/ Travel Area	X=900 mm, Z=50 mm
Positional Accuracy	0.025 mm
Repeatability	0.025 mm
Drive Element	Ball Screw, Stepper motors or Servo Motor
T-Slot specification	50 mm grid
Encoder specification (For Servo)	Optical encoder for all axes, 2000 increments/ revolution.
XY Traverse Speed	100 mm / Second for servo, 50mm/ second for stepper.
Z Feed Speed	100mm / Second for Servo, 50mm/ second for stepper.
Z-Axis mounting plate	T-slotted plate with 25mm grid, payload capacity 15 Kg.
Controller	A ruggedized 2 axis controller with front panel programming
Power Supply	230 Volt, 50-60 Hz
Supported welding patterns	Straight line, Zig Zag and bead
Recommended use	For In Situ reconditioning work of VRM rollers and tires
Wire feeder Drive	Provided in the controller

Due to continuous improvements, the specifications are subject to change



Controller housed in ruggedized flight cases



Touch Screen HMI for easy programming

CYBERNETIC INSTRUMENTS : 3 MEGHALAYA, DAHANUKAR COLONY, PUNE- INDIA 411051
EMAIL: SALES@CYBER-CNC.COM, TEL: +91-9422084799, +91-7774891928 WEB: www.cyber-cnc.com