

TORQUE WRENCHES

FEATURES

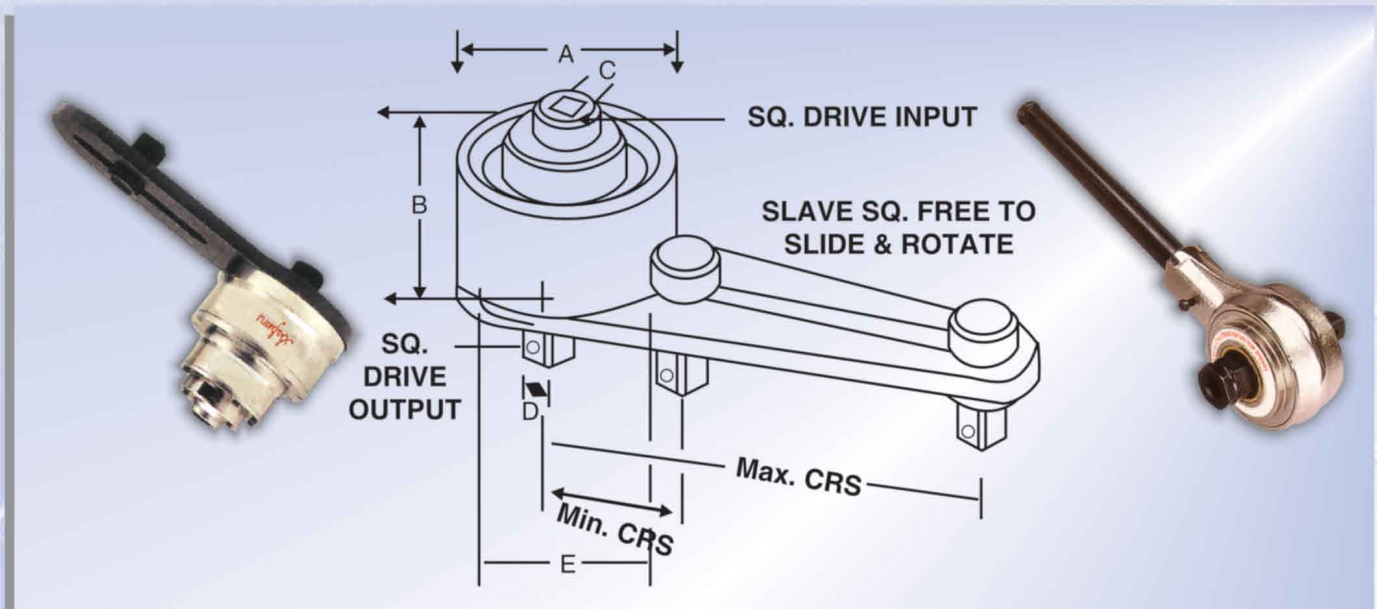
- Best in Accuracy - " 3%
- Import Substitute
- Compact and Robust
- Touch Sight & Sound Safety
- Competitive Prices



"SAPSONS" ADJUSTABLE CLICK TYPE TORQUE WRENCHES

NON-RATCHETING	RATCHETING	TORQUE RANGE				SQ. DRIVE	OAL mm
		lb. ft.	lb. in.	Kgfm.	Nm.		
TQT-100A	TQTR-100	2-8	20-100	0.3-1.2	2.5-11	3/8"	318.0
TQT-300A	TQTR-300	4-24	40-300	05-3.4	5-33	3/8"	422.0
TQT-600A	TQTR-600	10-50	100-600	1.2-7	12-68	1/2"	476.0
TQT-1200A	TQTR-1200	20-100	200-1200	3-14	25-135	1/2"	546.0
TQT-2000A	TQTR-2000	40-160	400-2000	5-23	50-225	1/2"	597.0
TQT-3000A	TQTR-3000	50-250	600-3000	7-35	70-330	1/2"	825.0
TQT-5000A	TQTR-5000	100-410	1200-5000	14-57	140-560	3/4"	1130.0
TQT-7200A	TQTR-7200	150-600	1800-7200	20-82	200-810	3/4"	1181.0
TQT-8400A	TQTR-8400	350-700	4200-8400	49-95	480-940	1"	1397.0
TQT-12300A	TQTR-12300	500-1000	6000-12300	70-140	700-1000	1"	1505.0
TQT-15300A	TQTR-15300	750-1400	9000-15300	105-195	1015-1890	1"	1505.0
TWT-11	TWT-R/11	1000-2000	---	135-275	1350-2700	1"	1498.0

TORQUE MULTIPLIER



SAPSONS Torque Multipliers are compact alloy steel, epicyclical gear units, designed for tightening and loosening of nuts and bolts by providing very high torque economically.