



**RARE
FIBER**
corporation

Brochure for
FRP Cable Tray

RARE FIBER CORPORATION

MAIL: sales@rarefiberocorporation.com

<https://www.rarefiberocorporation.com>

Ravi Jadav +91 9737310141 / Vishal Jadav +91 9099983957

AN ISO 9001:2015 CERTIFIED COMPANY

UNIT 1: 5224 Near Seven Water Tank GIDC Ankleshwar 392002
UNIT 2: D2E/307, OPP.MRF MATERIAL GATE NO.1, GIDC DAHEJ, 392130

7. FRP Cable Tray

Ideal for Managing and Protecting Cables

FRP cable tray is the support system for managing cables and protect cables from heating, rains and corrosive elements. There are two types, FRP ladder type cable tray and FRP channel cable tray. They are widely used in chemical plants, building constructions and residential life by virtue of its strong advantages such as lightweight, high strength, good anti-corrosion and flexible installation.



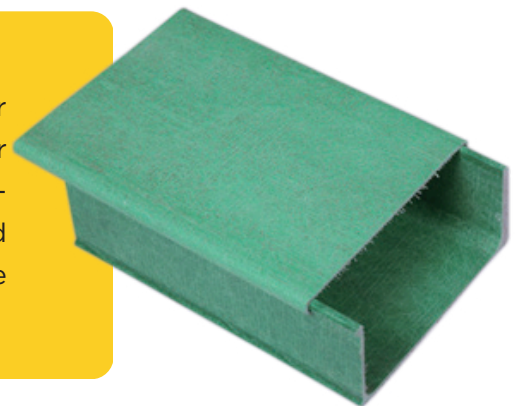
Available type

- **FRP ladder type cable tray**

FRP ladder type cable tray is assembled with two longitudinal sides and a plurality of rungs. The ladder structure is ventilated and has good heat dissipation performance. They are suitable for containing multiple cables, most of which are used in building wiring system.

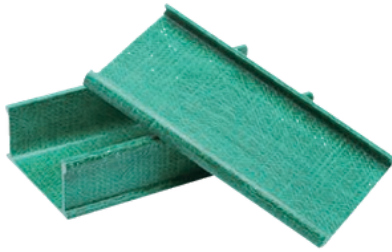
- **FRP channel cable tray**

The structure of FRP channel cable tray shows a solid or perforated bottom with integral side rails. Plus a cover on it, it is closed. It is generally used in places that fire-proof, moisture-proof, dust-proof, anti-interference, and mechanical damage, such as residential buildings, office buildings, supermarkets and hotels.



Applications

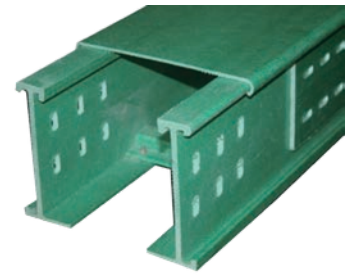
Professional Composite Manufacturer & Solution Designer



Flat side beam



Ragged side beam



Perforated beam

Available Covers

Besides, FRP channel cable tray and FRP ladder type cable tray are also available with cover. For further security, covers are used where cable protection is required or desired.

The flat cover is more widely used and fits most applications. In some places that exist the accumulation of snow or other particulate, the peaked cover can help shed excessive loads to reduce the pressure of FRP cable tray.



Resin material

- **Polyester resin.** (Standard Product) It offers good UV and weather resistance.
- **Vinylester resin.** It offers better corrosion and heat resistance.
- **Epoxy resin.** Excellent insulation performance for electrical power projects.
- **Phenolic.** It offers extreme low smoke and toxicity properties.

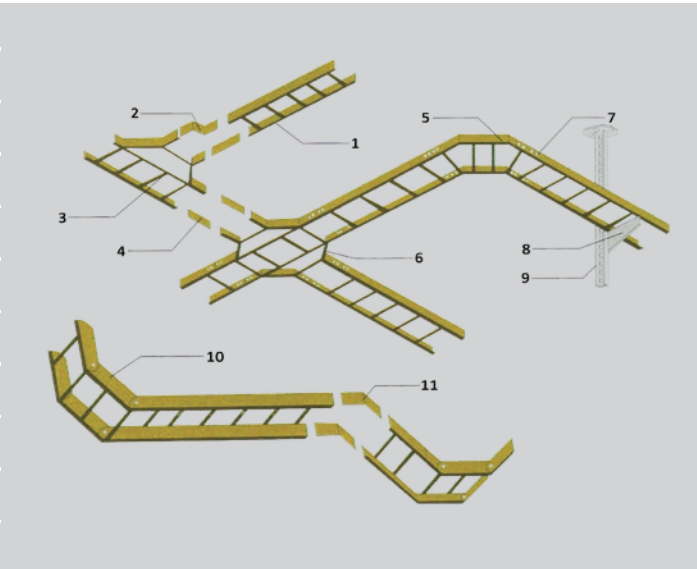
Features

- Non-conductive.
- Non-magnetic.
- Anti-corrosion.
- Fast heat dispersion.
- Superior strength.
- Light weight.
- UV resistance.
- Fire retardant.
- Impact resistance.
- Easy to install.
- No welding required.
- Easy to cut and drill.
- Long life span.
- High performance in extreme weather.
- No rusting. No painting.
- Full ventilation.
- Resistant to microbial growth.
- multiple colors, sizes and resin choices.
- Cable tray with cover section to prevent ingress of dust and liquid.
- Aesthetically pleasing appearance.
- Accommodate changes in direction and elevation of cable runs.
- Safe smooth edge to protect cables.
- Easy maintenance, easy for line check and cleaning.

Assembly System

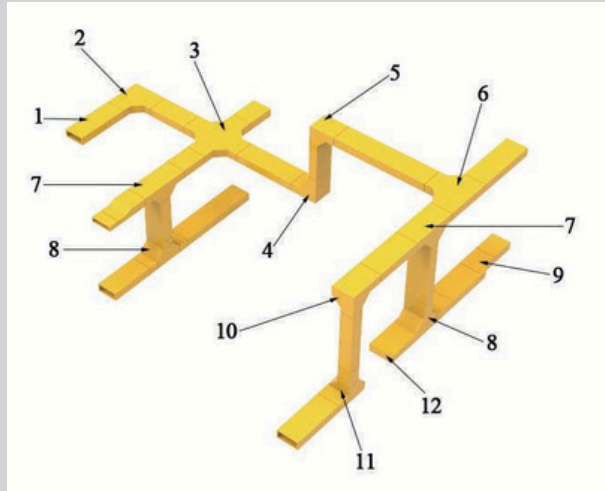
FRP Ladder Cable Tray Assembly System

Item	Parts
1	Straight cable tray
2	Width adjustable piece
3	Horizontal tee
4	Connecting piece
5	Horizontal elbow
6	Horizontal cross
7	Bolt
8	Corbel
9	Channel post
10	Ladder type movable elbow
11	Adjustable piece



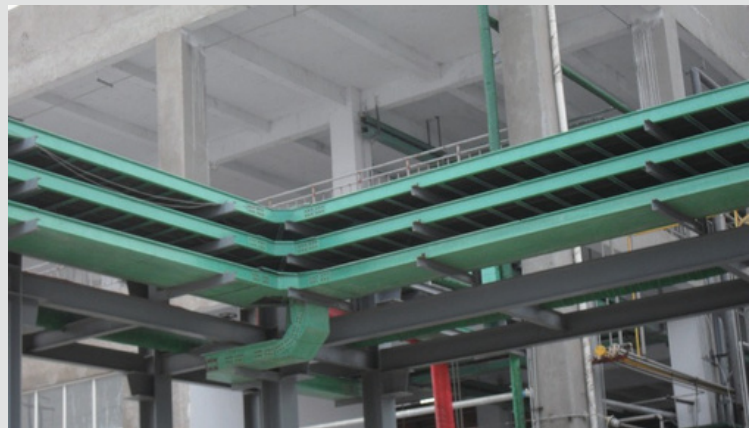
FRP Channel Cable Tray Assembly System

Item	Parts
1	Straight cable tray
2	Horizontal elbow
3	Horizontal cross
4	Down vertical elbow
5	Up vertical elbow
6	Horizontal tee
7	Up vertical tee
8	Down vertical tee
9	Reducer
10	Up right elbow
11	Down left elbow
12	End



Applications

- Chemical and purification plants.
- O shore/onshore platforms.
- Power plants.
- Tunnels.
- Marine industry.
- Metallurgical plants.
- Oil & Gas sector.
- Water treatment plants.
- Paper industry.
- Mining.
- EMI/RFI testing.
- Building construction.
- Radar.
- Pollution control.



Cable Laying

- Railway cable laying.
- Highway bridge cable laying.
- Petrochemical engineering cable laying.
- Computer cable laying.
- Post and telecommunication cable laying.

Common Specifications

FRP Ladder Type Cable Tray

Item	Width (mm)	Height (mm)	Length (mm)	Rung Spacing (mm)	Color	Remark
LFRPCT-01	50	50	2000	300	Gray	Polyester
LFRPCT-02	100	50	2000	300	Green	Polyester
LFRPCT-03	300	50	2000	300	Gray	Vinylester
LFRPCT-04	300	100	3000	400	Gray	Flat cover
LFRPCT-05	400	100	3000	300	Gray	Polyester
LFRPCT-06	500	100	4000	300	Green	Peaked cover
LFRPCT-07	500	150	4000	300	Gray	Phenolic
LFRPCT-08	600	150	5000	400	Green	Polyester
LFRPCT-09	700	180	5000	400	Gray	Polyester
LFRPCT-10	1000	200	7000	500	Gray	Flat cover

FRP Ladder Type Cable Tray

Item	Width (mm)	Height (mm)	Length (mm)	Color	Remark
CFRPCT-01	50	50	2000	Gray	Flat cover
CFRPCT-02	100	50	2000	Green	Ragged sides
CFRPCT-03	100	100	3000	Gray	Flat cover
CFRPCT-04	300	100	3000	Gray	Flat cover
CFRPCT-05	400	100	3000	Gray	Flat cover
CFRPCT-06	500	150	4000	Green	Ragged sides
CFRPCT-07	600	200	5000	Green	Flat cover
CFRPCT-08	700	200	6000	Green	Polyester
CFRPCT-09	800	250	6000	Green	Peaked cover
CFRPCT-10	900	250	8000	Green	Peaked cover



AN ISO 9001:2015 CERTIFIED COMPANY

Contacts

Ravi Jadav
+91 9737310141
Vishal Jadav
+91 9099983957

unit 1:

5224 Near Seven Water Tank GIDC Ankleshwar
392002

unit 2:

:-D2E/307,OPP.MRF MATERIAL GATE NO.1, GIDC
DAHEJ,392130

E-mail:

sales@rarefibercorporation.com
rarefibercor@gmail.com

Website:

www.rarefibercorporation.com