



BOSCH

BOSCH SPARE PARTS CATALOGUE 2025

**LET US TAKE CARE
OF YOUR TOOL**

Power Tools Service at its best!



[www.bosch-pt.com](#)





WARRANTY CARD

Congratulations on purchasing Power Tools from Bosch, which are designed and manufactured with high quality, reliability and safety standards. Power Tools from Bosch are guaranteed against material and manufacturing defects for a period of one year starting from the date of purchase as mentioned in the terms of purchase document.



Bosch iO[®]

Measuring Tools[®]

Professional Tools[®]

Production Tools[®]

Please Visit a Bosch Store or Bosch Customer Service Help Center for more details about our policies. <http://www.bosch.com>

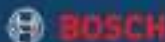
In the event of failure of tools due to system or manufacturing defects, we undertake to repair the tools (with replaceable parts) free of charge, provided we are satisfied that:

- The power tool has not been tampered with.
- Failure has occurred due to material or design defect.
- The power tool has not exceeded the approved governmental limits.
- The user has been informed by one of the Bosch Authorized Service Centers along with the power tool, warranty card and original tool purchase invoice with GST number.
- The customer shall carry the tool to the nearest Authorized Service Center to get it repaired and fix.
- The Bosch Tool shall be used strictly for intended purposes in accordance with the user manual.



Bosch Limited,
Plot No. 16, 20th, Near Road, Adugodi, Bangalore - 560033. Tel: 1800-420-4200

Plot No. 16, 20th, Near Road, Adugodi, Bangalore - 560033. Tel: 1800-420-4200



This warranty does not cover:

- All remote control and tool parts like cables, chargers, switches, drill bits, drill bits, drill bit holder parts, trigger, gears, unit, motor parts, bearing system & accessories etc.
- Installation or wiring voltage, use tool, wrong accessories and wrong application.
- Use other than as mentioned in handling instructions.
- Unauthorised repair carried out.
- Damage due to any accident caused by misuse, misuse, initial damage, and normal wear, damage arising from fire, fire or other accidents caused by nature or events not being foreseen and
- Any modification tool used for non-intended purposes.
- Use of starter, reverse and tool accessories generic issues.
- Failure to comply with any safety production or maintenance suggestions in user manual.
- Original serial number is damaged/obliterated/removed or altered or tampered/lost or damaged.
- Evaluation of tools is for covered under warranty.



SCAN
for Warranty
Registration



Tool Model Name	Tool Serial number	GST Invoice number
Dealer Seal	Signature	Purchase Date

SCAN
to Know
the nearest
Authorized
Service Centre



BOSCH SPARE PARTS CATALOGUE Effective April 2025

S No.	Product Category	Model Name	Bare Tool Part No.	PAGE NO
1	Small Angle Grinders SAG	GWS 600	06013750X5	1
2		GWS 750 100	3601C940F0	3
3		GWS 800	3601C943F0	5
4		GWS 900 100	3601C960F0	7
5		GWS 6 125	06013751X2	9
6		GWS 900 125	3601C961F0	11
7		GWS 12 125 S	3601CA60F2	13
8		GWS 14 125 CI	3601H242F2	15
9		GWS 15 125L	3601GA30F1	17
10	Large Angle Grinders LAG	GWS 2000 180	3601HB70F0	19
11		GWS 2200-180	3601HC00F0	22
12		GWS 24 180	06018534X0	24
13		GWS 24-180 (New)	3601HC20F0	26
14		GWS 24-180 JZ	3601HC23F0	28
15		GWS 30 B - 180	3601HG00F0	30
16	Chop Saw CS	GCO 220	3601M373F0	32
17		GCO 230	3601M980F0	34
18		GCO 14 24	3601M371F0	36
19	Rotary Drills RD	GBM 350	3601AA95F2	38
20		GBM 13 RE	3601D775F1	39
21		GBM 1600 RE	3601AD00F1	40
22	Impact Drills	GBM 50 Z	3601AD04F0	41
23		GSB 450	3601B161FA	44
24		GSB 501	3601B161F0	45
25		GSB 10 RE	3601B161FA	46
26		GSB 13 RE	3601B171F3	47
27		GSB 500 RE	3601B161F6	48
28		GSB 600	3601AA03F0	49
29		GSB 16 RE	3601B261F0	51
30		GSB 20-2 RE	3601AA21F1	52
31		Rotary Hammers RH	GBH 200	3611B663F3
32	GBH 220		3611BA60F0	55
33	GBH 2-24 DRE		3611B721F1	57
34	GBH 2 26 RE		06112517X0	59
35	GBH 2 26 DRE		06112537X0	61
36	GBH 2 28 DV		3611B671F0	63
37	GBH 4 32 DFR		3611C321K5	65
38	GBH 5 40 D		3611B690F0	66
39	GBH 6-42 C		3611B78030	71
40	GBH 8 45 DV		3611B650F0	74
41	GBH 12-52 DV		3611B660F0	77
42	Demolition Hammers DH		GSH 5	3611C370F0
43		GSH 500 HEX	3611C386F0	82
44		GSH 500 SDS MAX	3611C387F0	84
45		GSH 11 E	3611C168F0	86
46		GSH 11VC	3611C360F0	88
47		GSH 14 C	3611C440F0	90
48		GSH 16 30	3611C351K0	93
49	GSH 27 VC	3611C0A0F0	96	

BOSCH SPARE PARTS CATALOGUE Effective April 2025

Sl. No.	Product Category	Model Name	Bare Tool Part No.	PAGE NO
80	Diamond/Stone Cutter	GDC 120	3601C930F1	99
81		GDC 140	3601CA40F1	101
82		GDC 141	3601CA41F0	103
83	Straight Grinder	GGS 28 LCE	3601B21100	105
84		GGS 3000 L	3601B240K0	107
85		GGS 30 LS	3601B850F0	108
86	Saber Saw	GSA 120	3601F810F0	110
87		GSA 1300PCE	3601F4E2K0	111
88	Circular Saws	GKS 130	3601FC30F0	113
89		GKS 140	3601F830F0	115
90		GKS 235 Turbo	3601EA20F0	117
91	Planers	GHO 8500	3601E980K0	119
92		GHO 10 82	0601894080	121
93		GHO 26 82D	3601EA4370	123
94	Orbital Sander	GSS 2300	3601B980K0	125
95		GSS 140	3601BA60F0	126
96	Random Orbital Sanders	GEX 128	3601CA80F0	127
97		GEX 128 1 AE	3601C870K0	128
98		GEX 180 AC	0601372790	129
99		GEX 34-180	3601C720F0	131
100	Jigsaws OTHERS	GST 650	3601EA80F0	132
101		GST 680	3601EB40F0	133
102	Routers	GST 90 BE	3601EBF0F0	135
103		GKF 650	3601FA00F1	137
104	BT Miter Saws	GOF 130	3601F870F0	140
105		GCM 10 MX	3601M290F0	142
106	Table Saw	GCM 254	3601M520F0	145
107		QTS 254	3601M450F0	148
108	Wall Sander	GTR 550	3601GD40F0	155
109	Polisher	GPO 950	3601CA20F0	159
110		GPO 12 CE	3601C890K0	160
111	Heat Guns, Blowers	GHG 180	3601J4D0F0	162
112		GHG 20 60	3601BA6400	163
113		GHG 20 63	3601BA62K0	164
114		GBL 620	3601J805F0	165
115	Vacuum Cleaners	GBL 650	3601JM40F0	166
116		GBL 82 270	3601J804K5	167
117		GAS 12 25	3601J7C0F0	169
118		GAS 400 A	3601JM50F0	174
119	Screw Driver	GAS 15PS	3601JES1F0	177
120		GAS 35 L SFC	3601JC30F0	182
121		GAS 55 M AFC	3601JC35F0	188
122	Impact Wrench	GTB 650	3601DA20F0	194
123	Specialty Tools	GOS 30	0601435103	195
124		GAC 250	3601B980F0	197
125		GBG 35-15	3601B7A3F0	199
126		GBG 60-20	3601B7A4F0	201
127		GRW 140	3601AC40F0	203

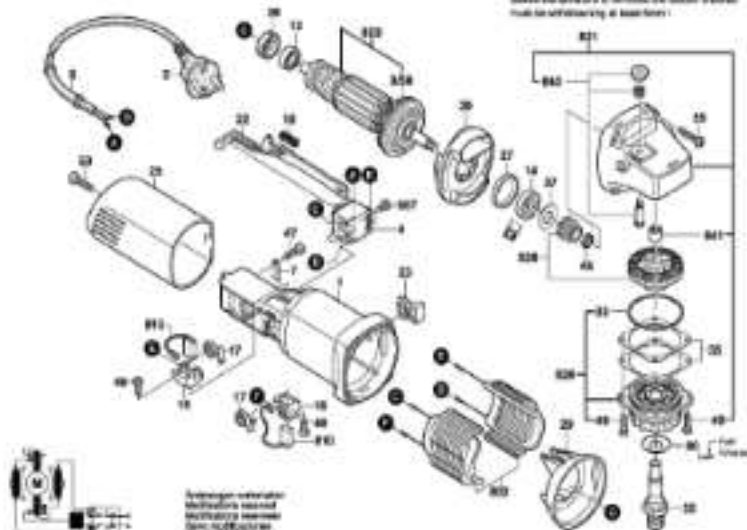
BOSCH SPARE PARTS CATALOGUE Effective April 2025

Sl. No.	Product Category	Model Name	Bare Tool Part No.	PAGE NO
98	High Pressure Washer HPW	GHP 5 13 C	3600J100F0	205
99		GHP 5 95	3600J105F0	208
100		GHP 5 75 X	3600J108F0	212
101		Easy Aquatak 100	3600HA76F0	217
102		Easy Aquatak 110	3600HA79F1	220
103		Easy Aquatak 120	3600HA79F1	223
104		UniversalAquatak 125	3600HA7AF0	226
105		UniversalAquatak 130	3600HA79K0	229
106		Advanced Aquatak 140	3600HA7DF0	232
107		Advanced Aquatak 150	3600HA79F0	236
108	Cordless Tools CL	GAS 18V-1	3601J082L0	240
109		GSR 120 LJ	3601JG8080	242
110		GSR 18V-50	3601JH5000	243
111		GSR 180 LJ	3601JP81K0	245
112		GSR 185 LJ	3601JK3080	246
113		Bosch Go	3601JH2100	247
114		Bosch Go 3.0	3601JH2200	249
115		GSB 180 LJ	3601JP83K0	250
116		GSB 183 LJ	3601JK91K0	251
117		GDS 200 LJ	3601JG81K0	252
118		GDS 18V 200	3601JJ2300	254
119		GDS 18V 1050	3601JJ85L0	256
120		GDS 18V 400	3601JK0080	257
121		GBH 180 LJ	3611J110K0	259
122		GWS 180 LJ	3601JH90K0	261
123		GWS 18V 10	3601JJ40K0	263
124		GBH 185-LJ	3611J24000	265
125		GDX 18V-200 C	3601JG4200	266
126		GSB 185-LJ	3601JK3180	268
127		GDR 120-LJ	3601JF00L0	269
128		GDR 12 V-EC	3601JE00F8	270
129		GDR 180-LJ	3601JG81L0	271
130		GSB 120-LJ	3601JG8180	273
131		GWS 18V-10	3601JJ4002	274
132	GWS 18V LJ	3601JA382	275	

0 601 375 0X5
 Bosch Power Tools

Gerät - Verzahnung

* No Demontage des Ankers
 * Demontage des Ankers
 * Before the operation to remove the carbon brushes
 * must be withdrawing it first time



Ankerlager-ventilator
 Ventilator des Ankers
 Ventilator des Ankers

1 / 2

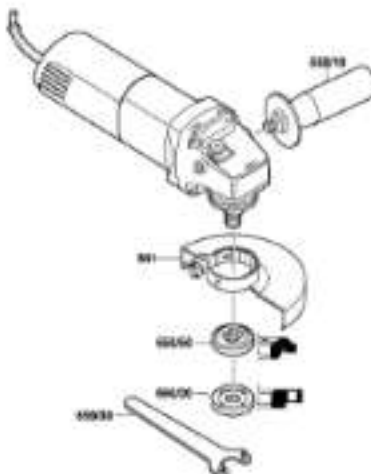
Model: 0 601 375 0X5 - 220

Item	Pc	Order no.	Description	LF in EUR	Item	Pc	Order no.	Description	LF in EUR
1	1	1 616 700 772	Motor Housing	128,00	47	1	2 602 110 222	Special Screw	47,00
3/35	1	1 606 610 141	Fan	31,00	48	2	1 616 P10 220	Torx Over-Head Screws	31,00
4	1	1 601 200 179	On-Off Switch	132,00	49	4	1 603 430 000	Thread-forming Tap Screws	45,00
5	1	1 604 480 721	Power supply cord IHD	118,00	50	1	2 610 611 220	Tapping Screw DIN	45,00
6	1	F 002 001 081	Blommet	31,00	55	4	2 610 611 022	Tapping Screw DIN	31,00
7	1	1 601 300 017	Fastening Clamp	31,00	60	1	1 616 P08 260	Cover Disc	70,00
13	1	1 616 P11 230	groove ball bearing	32,00	60/61	1	F 002 020 040	Auxiliary Handle	35,00
14	1	1 616 P11 240	groove ball bearing	35,00	60/62	1	1 616 P09 270	Round Nut With 2 Holes	34,00
16	2	1 616 P01 011	Brush Holder	31,00	60/63	1	1 600 400 P03	Pin-Type Face-Wrench	30,00
17	2	1 604 862 013	Coil Spring	45,00	60/64	1	1 616 P12 150	Cleaming-Flange	51,00
18	1	1 604 011 031	Compression Spring	25,00	601	1	1 616 P12 030	Protective Cover	129,00
22	1	1 602 210 000	Adjusting Slide	31,00	602	1	1 604 220 220	Field 220-240V	290,00
23	1	1 616 P02 751	Switch Button BLACK	31,00	603	1	1 604 010 020	Armature 220-240V	510,00
25	1	F 002 001 100	Housing Cover	109,00	610	1	1 607 014 140	Carbon-Brush Set	34,00
26	1	1 600 800 000	Intermediate Ring	71,00	621	1	1 605 600 450	Gear Housing	437,00
27	1	1 600 200 020	Rubber Ring	25,00	623	1	1 605 600 040	Sealing Flange BLACK	103,00
30	1	1 600 601 020	Air-Deflector Ring	35,00	632	1	1 600 600 020	Bevel Gear Set	340,00
30	1	1 600 601 034	Air-Deflector Ring	35,00	641	1	1 607 000 220	Push-Button BLACK	57,00
32	1	1 603 523 111	Grinding Spindle M10	69,00	641	1	1 600 200 020	Plain bearing	31,00
33	1	1 600 210 041	O-Ring 42,0X1,1 MM	31,00	657	2	2 610 641 001	Over-Head Screw	54,00
36	1	1 600 130 010	Stim 0,1 MM THICK	31,00	664	1	1 616 030 020	Grease Tube 225 ML	1 912,00
38	1	1 600 130 017	Stim 0,2 MM THICK	31,00	665	1	1 600 430 003	Grease Tube 225 ML	1 820,00
37	1	1 600 400 020	Cover Disc	25,00					
45	1	2 615 011 007	Hex Nut DIN 934-M6-9-A	25,00					

Please observe: Repairing, modifying and testing of electric tools are to be performed professionally. The safety regulations according to IEC, EN, VDE, AFNOR and other regulations of the individual countries are to be observed. Subject to change.

The price list supersedes all previous editions. Prices are subjected to change without any prior notice.

0 601 375 0X5
0 601 375 0X5



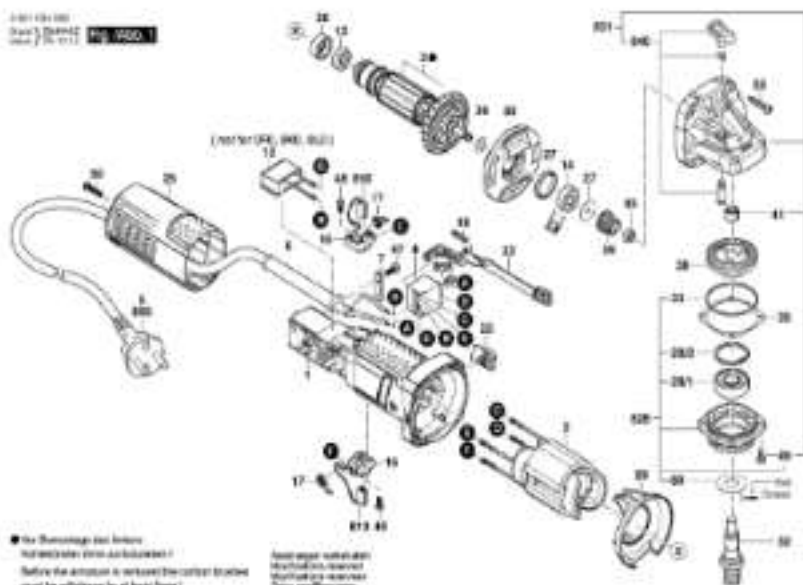
beträffande utvärdering
MultiPlus utvärdering
MultiPlus utvärdering

2 / 3

Model: 0 601 375 0X5 - 020

Item	Pc.	Order no.	Description	UP in NR	Item	Pc.	Order no.	Description	UP in NR

3 601 C94 0F0
Date of release: 07/2020



► For disassembly see before
not applicable when authorized!
Before the motor is removed the carbon brushes
must be withdrawn by at least 5mm!

See also: see also
for the correct use of the
angle grinder see the
user manual.

1 / 2

Model: 3 601 C94 0F0 = 230

Item	Pc	Order no.	Description	LF in EUR	Item	Pc	Order no.	Description	LF in EUR
1	1	1 610 P10 201	Motor Housing	34,00	36	1	1 610 P10 202	Shim 0.2 MM	31,00
2	1	1 604 220 52E	Field	387,00	38	1	1 610 P10 207	Washer	31,00
3	1	1 604 210 01G	Armature	371,00	37	1	1 600 100 033	Cover Disc	38,00
4	1	1 607 200 31V	Switch	73,00	38	1	1 610 P10 203	Crown Gear	112,00
5	1	2 002 103 012	Grommel Ø6.3-Ø6.5x55	25,00	39	1	1 610 P10 205	Bevel Gear	54,00
7	1	1 601 302 017	Fastening Clamp	31,00	41	1	1 600 200 028	Plain bearing	31,00
13	1	1 610 P10 203	groove ball bearing	217,00	46	1	2 015 011 007	Hex Nut DIN 934-M6-8-A	38,00
14	1	1 610 P10 102	groove ball bearing	179,00	47	1	2 009 110 082	Special screw	47,00
16	2	1 610 P10 211	Brush Holder	31,00	48	2	1 610 P10 200	Torx Oval-Head Screw	31,00
17	2	1 604 852 013	Spiral Spring	45,00	49	4	1 610 P12 085	Three-forming Iso. Screw	41,00
18	1	1 610 P11 48T	Compression Spring	34,00	50	1	1 610 P10 105	Torx Oval-Head Screw	31,00
22	1	1 610 P10 287	Adjusting Slide	54,00	55	4	1 610 P11 088	Torx Oval-Head Screw	31,00
23	1	1 610 P10 269	Switch Button	50,00	60	1	1 610 P10 190	Cover Disc	12,00
23	1	1 610 P10 291	Switch Button	41,00	60H	1	1 600 008 097	Auxiliary Handle	112,00
26	1	1 610 P10 282	Housing Cover	32,00	60Q	1	1 610 P10 278	Round Nut With 2 Holes	34,00
28	1	1 600 502 023	Intermediate Ring	71,00	60D	1	1 610 P10 208	Pin-Type Pad-Brush	36,00
27	1	1 600 208 028	Rubber Ring	28,00	60E	1	1 610 P12 100	Clamping-Flange	31,00
28-1	1	1 610 P10 240	Ball Bearing	219,00	61	1	1 600 400 028	Protective Cover Ø100 MM	107,00
28-2	1	2 016 000 012	Retaining clip DIN	30,00	60G	1	1 607 008 287	Power supply cord CN	230,00
35	1	1 610 P10 270	Air-Deflector Ring	87,00	61G	1	1 610 P11 716	Carbon-Brush Set	132,00
36	1	1 610 P14 134	Air Distributor	59,00	62	1	1 610 P10 481	Bearing Flange	49,00
38	1	1 602 823 111	Grinding Spindle M10	39,00	63	1	1 610 P12 100	Gear Housing	211,00
33	1	1 610 P14 050	groove ball bearing	55,00	64	1	1 610 P12 100	Push Button	35,00
35	1	1 610 P12 021	Shim 0.1 MM	31,00	65	2	2 010 041 031	Oval-head screw	34,00

Please observe: Repairing, modifying and testing of electric tools are to be performed professionally. The safety regulations according to IEC 61158, AF104 and other regulations of the individual countries are to be observed. Subject to change. The price list supersedes all previous editions. Prices are subject to change without any prior notice.

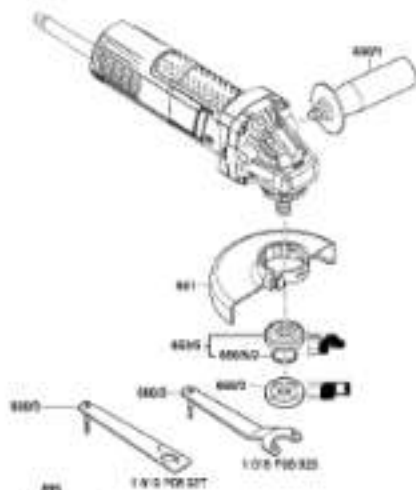


BOSCH
Power Tools

Angle Grinder

Model
GWS 750-100
3 601 C54 0F0 | BO

3 601 C54 0F0
Date of issue: 10.10.2013



Recharge version
Additional tools
Additional accessories
See full manual



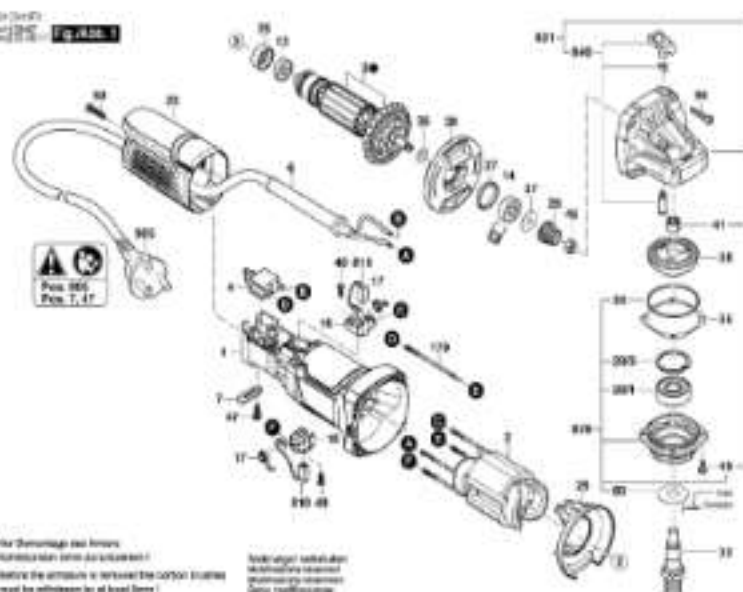
2 / 2

Model: 3 601 C54 0F0 = 230

Item	Pc	Order no.	Description	LF in EUR	Item	Pc	Order no.	Description	LF in EUR
664	1	1 612 430 020	Grease Tube 225 ML	1,610,00					
665	1	1 612 430 023	Grease Tube 225 ML	1,633,00					

Fig. 4.06.1

Fig. 4.06.1



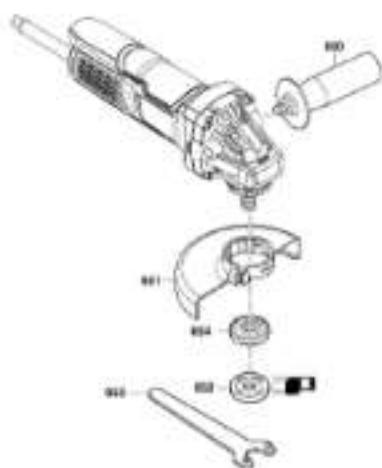
No! Damage the frame
Attention when disassembling!
Detach the attachment to remove the carbon brushes
read the instructions for use (last line)

No! Damage the frame
Attention when disassembling!
Detach the attachment to remove the carbon brushes
read the instructions for use (last line)

1 / 2

Model: 3 601 C54 3F0 = 230

Item	Pc	Order no.	Description	LF in EUR	Item	Pc	Order no.	Description	LF in EUR
1	1	1 619 P10 381	Motor Housing	142,00	30	1	1 619 P02 226	Bevel Gear	64,00
2	1	1 604 220 52E	Field	287,00	41	1	1 600 220 029	Plain bearing	31,00
3	1	1 604 210 01G	Armature	377,00	46	1	2 615 011 007	Hex Nut DIN 934-M8-D-A.	28,00
4	1	1 607 200 21G	Switch	30,00	47	1	1 600 110 032	Special Screw	47,00
5	1	F 002 001 081	Brushlet	31,00	48	2	1 619 P02 220	Tox Over-Head Screw	31,00
7	1	1 601 202 017	Fastening Clamp	31,00	49	4	1 619 P12 585	Thread-forming tap. Screw	41,00
13	1	1 619 P14 581	groove ball bearing	55,00	50	1	1 619 P02 105	Tox Over-Head Screw	31,00
14	1	1 619 P13 102	groove ball bearing	179,00	55	4	1 619 P01 000	Tox Over-Head Screw	31,00
16	2	1 619 P01 011	Brush Holder	31,00	60	1	1 619 P08 360	Cover Disc	70,00
17	2	1 604 850 013	Spring Cover	40,00	179	1	1 619 P11 580	Connection Cable	27,00
28	1	1 619 P10 380	Housing Cover	70,00	680	1	F 002 030 042	Auxiliary Handle	28,00
29	1	1 600 802 023	Intermediate Ring	71,00	681	1	1 600 400 026	Protective Cover Ø100 MM	127,00
21	1	1 602 225 025	Rubber Ring	25,00	682	1	1 619 P04 070	Round Nut With 2 Holes	54,00
22/1	1	1 619 P07 440	Ball Bearing	210,00	683	1	1 600 400 030	Pin-Type Face-wrench	30,00
22/2	1	2 615 000 010	Retaining clip DIN	80,00	684	1	1 619 P12 150	Clamping-Flange	51,00
26	1	1 619 P10 010	Air-Distributor Ring	87,00	625	1	1 604 420 144	Power supply cord	170,00
30	1	1 619 P14 102	Air Distributor	80,00	610	1	1 619 P11 710	Carbon-Brush Set	180,00
32	1	1 602 523 111	Grinding Spindle M10.	99,00	623	1	1 619 P07 481	Bearing Flange	49,00
34	1	1 619 P02 020	O-Ring 44,0K1,0 MM.	31,00	631	1	1 619 P12 100	Gear Housing	211,00
35	1	1 619 P02 021	Shim 0,1 MM.	31,00	640	1	1 619 P12 102	Push Button	35,00
36	1	1 619 P02 022	Shim 0,2 MM.	31,00	694	1	1 615 430 020	Grease Tube 225 ML.	1912,00
38	1	1 619 P00 087	Washer	31,00					
37	1	1 600 100 033	Cover Disc	28,00					
38	1	1 619 P02 021	Crown Gear	110,00					

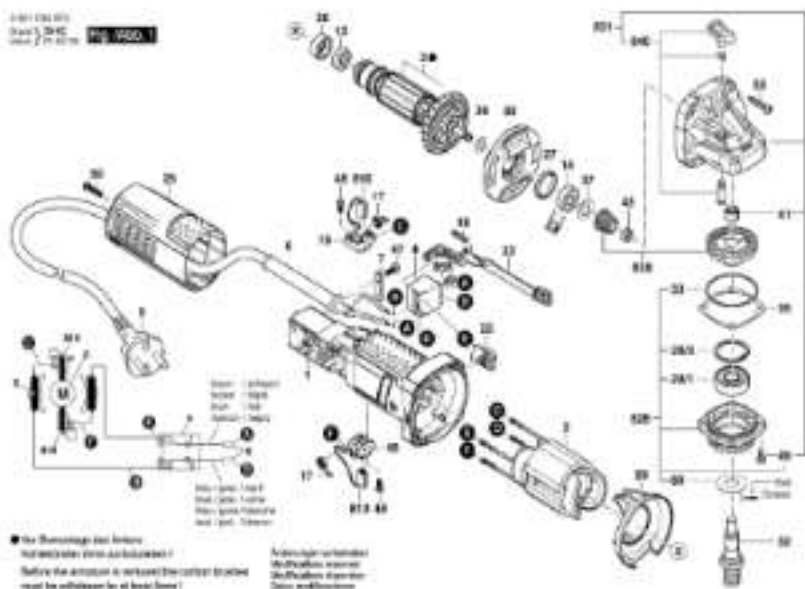
3 601 C94 3F0
2017 BOSCH | 2017 BOSCHAnschließen von Werkzeugen
Schleifen, Schleifen, Schleifen
Anschließen von Werkzeugen
Schleifen, Schleifen, Schleifen

2/3

Model: 3 601 C94 3F0 = 230

Item	Pc	Order no.	Description	LF in INT.	Item	Pc	Order no.	Description	LF in INT.

3 601 C56 0F0
Date: 2016
Date of Print: 2016



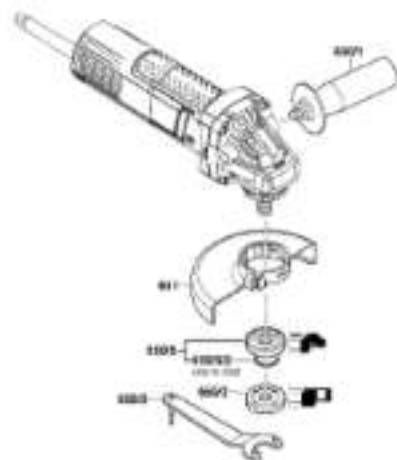
1 / 2

Model: 3 601 C56 0F0 = 230

Item	Pc	Order no.	Description	LF in EUR	Item	Pc	Order no.	Description	LF in EUR
1	1	1 619 P10 260	Motor Housing	160,00	36	1	1 619 P03 221	Shim 0.2 MM	31,00
2	1	1 604 220 529	Field	610,00	38	1	1 619 P00 267	Washer	31,00
3	1	1 604 010 501	Armature	737,00	37	1	1 600 100 033	Cover Disc	38,00
4	1	1 607 200 211	Switch	274,00	41	1	1 600 210 216	Needle bearing 6332/12X	60,00
5	1	1 619 P15 267	Power supply cord IHD		45	1	1 615 011 007	Hex Nut DIN 934-M6-D-A	38,00
6	1	1 600 703 010	Commutator 06 S-06, 0630	39,00	47	1	1 600 110 082	Special Screw	47,00
7	1	1 601 200 017	Fastening Clamps	31,00	48	2	1 619 P00 220	Tox Over-Head Screw	31,00
12	1	1 619 P05 266	groove ball bearing	217,00	49	4	1 605 426 002	Thread-forming tap, 3-cores	46,00
14	1	1 619 P13 032	groove ball bearing	176,00	60	1	1 619 P00 100	Tox Over-Head Screw	31,00
16	2	1 619 P01 311	Brush Holder	31,00	65	4	1 619 P01 060	Tox Over-Head Screw	31,00
17	2	1 604 882 013	Spiral Spring	48,00	80	1	1 619 P04 260	Cover Disc	72,00
18	1	1 619 P11 487	Compression Spring	64,00	650-1	1	1 602 026 027	Auxiliary Handle	113,00
22	1	1 619 P10 265	Adjusting Slide	51,00	650-2	1	1 619 P06 270	Round Nut With 2 Holes	54,00
23	1	1 619 P10 266	Switch Button	60,00	650-3	1	1 619 P00 267	Pin-Type Face-plate	169,00
26	1	1 619 P13 061	Housing Cover	137,00	650-6	1	1 605 703 113	Clamping-Flange M10	44,00
28	1	1 600 502 023	Intermediate Ring	71,00	650-9	1	1 600 210 038	O-Ring 20.33X1.78 MM	31,00
27	1	1 600 208 028	Rubber Ring	28,00	661	1	1 600 400 328	Protective Cover 2100 MM	137,00
28-1	1	1 619 P07 440	Ball Bearing	210,00	810	1	1 619 P11 718	Carbon-Brush Set	158,00
28-2	1	2 316 000 013	Retaining clip DIN	30,00	823	1	1 619 P07 481	Sealing Flange	401,00
29	1	1 619 P10 270	Air-Deflector Ring	87,00	821	1	1 619 P12 156	Gear Housing	611,00
30	1	1 619 P14 156	Air Distributor	80,00	836	1	1 619 P14 111	Set Of Gears	417,00
32	1	1 603 823 111	Grinding Spindle M10	69,00	940	1	1 619 P12 168	Push Button	38,00
33	1	1 619 P02 220	O-Ring 44.0X1.6 MM	31,00	952	2	1 610 561 021	Over-Head Screw	64,00
35	1	1 619 P02 222	Shim 0.2 MM	31,00	994	1	1 615 430 220	Grease Tube 225 ML	1512,00

Please observe: Repairing, modifying and testing of electric tools are to be performed professionally. The safety regulations according to IEC, EN, VDE, AFNOR and other regulations of the individual countries are to be observed. Subject to change.

The price list supersedes all previous editions. Prices are subject to change without any prior notice.

Zwei-Wege
Ölwanne **ÖL 1000-2**Ebenenzeichnung
Multi-View drawing
Multi-View drawing
Ebenenzeichnung

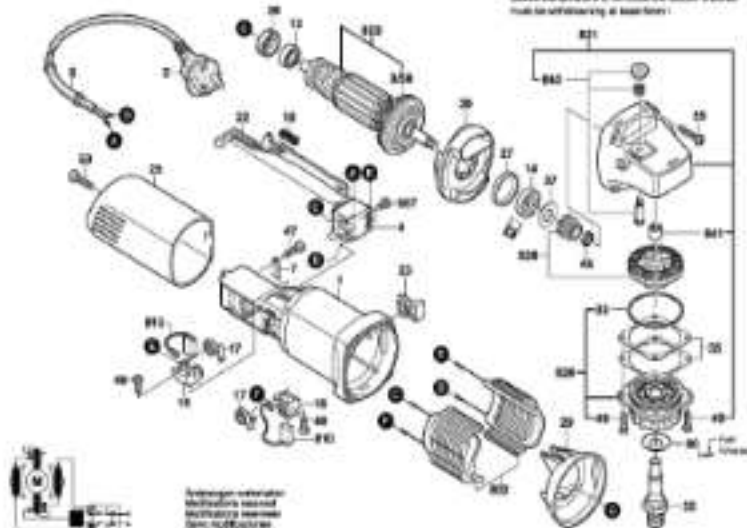
2/3

Model: 3 601 C56 0F0 = 230									
Item	Pc	Order no.	Description	LP in EUR	Item	Pc	Order no.	Description	LP in EUR
105	1	1 605 430 010	Grease Tube 225 ML	1,433,00					

0 601 375 1X2
0 601 375 1X2

Gerät - Verzahnung

• No Demontage des Motors
• Schrauben lösen und einsetzen!
• Before the screws to remove the motor bracket
must be unscrewing it first!



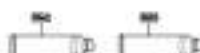
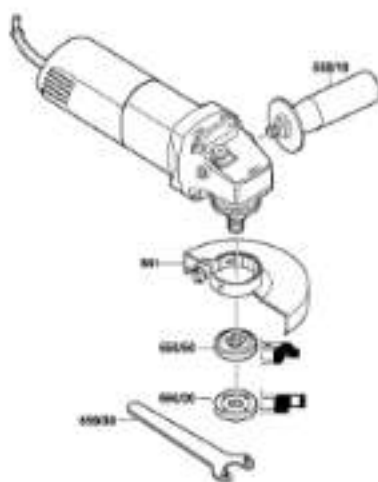
1 / 2

Model: 0 601 375 1X2 = 250

Item	Pc	Order no.	Description	LF in EUR	Item	Pc	Order no.	Description	LF in EUR
1	1	1 616 900 774	Motor Housing	128,00	37	1	1 600 100 233	Cover Disc	38,00
2	1	1 604 220 328	Field 220-240V	285,00	46	4	2 915 011 007	Hex Nut DIN 934-M6-9-A	28,00
3	1	1 604 210 528	Armature 220-240V	319,00	47	1	1 609 110 082	Special Screw	47,00
3/6	1	1 608 810 141	Fan	31,00	48	4	1 610 900 020	Torx Over-Head Screw	31,00
4	1	1 607 320 179	On-Off Switch	132,00	49	4	1 603 435 055	Thread-forming tap. Screw	45,00
5	1	1 604 460 720	Power supply cord I/ND	195,00	50	10	2 910 811 020	Tapping Screw DIN	45,00
6	1	F 002 921 081	Grommet	31,00	55	4	2 910 811 022	Tapping Screw DIN	31,00
7	1	1 601 302 017	Fastening Clasp	31,00	60	1	1 619 908 260	Cover Disc	72,00
12	1	1 616 P11 226	groove ball bearing	32,00	60/1	1	F 002 030 042	Auxiliary Handle	32,00
14	1	1 616 P11 240	groove ball bearing	85,00	60/2	1	1 603 345 543	Round Nut M14	114,00
16	2	1 616 P01 011	Brush Holder	31,00	60/3	1	1 619 908 427	Pin-Type Face-Wrench	185,00
17	2	1 604 852 013	Spiral Spring	45,00	60/4	1	1 605 703 014	Clamping Flange	103,00
18	1	1 604 811 231	Compression Spring	25,00	60/5/2	1	1 600 210 028	O-Ring 20,5X1,75 MM	31,00
22	1	1 602 210 006	Adjusting Slide	31,00	68	1	1 600 400 327	Protective Cover Ø125 MM	670,00
23	1	1 616 P02 782	Switch Button BLACK	31,00	81/1	1	1 607 014 145	Carbon-Brush Set	34,00
25	1	F 002 851 102	Housing Cover	108,00	82	1	1 605 308 425	Gear Housing	437,00
26	1	1 600 208 028	Rubber Ring	40,00	83	1	1 605 308 020	Bearing Flange BLACK	183,00
27	1	1 600 208 028	Rubber Ring	28,00	83/1	1	1 600 400 921	Bevel Gear Set	340,00
28	1	1 600 501 023	Air-Deflector Ring	35,00	84/1	1	1 607 208 248	Push-Button BLACK	57,00
30	1	1 600 501 024	Air-Deflector Ring	35,00	84	1	1 600 210 010	Needle bearing Ø53XØ12X8	92,00
33	1	1 616 P05 416	Grinding Spindle M 14, 8V	247,00	85	2	2 910 041 031	Over-Head Screw	34,00
34	1	1 600 210 041	O-Ring 42,0X1,1 MM	31,00	89/1	1	1 610 430 120	Grease Tube 225 ML	1 812,00
35	1	1 600 128 017	Strim 0.2 MM THICK	31,00	89	1	1 605 430 003	Grease Tube 225 ML	1 822,00
36	1	1 600 128 018	Strim 0.1 MM THICK	31,00					

Please observe: Repairing, modifying and testing of electric tools are to be performed professionally. The safety regulations according to IEC, EN, VDE, AFNOR and other regulations of the individual countries are to be observed. Subject to change. The price list supersedes all previous editions. Prices are subject to change without any prior notice.

0 601 375 1X2
Part 277 000 277 000



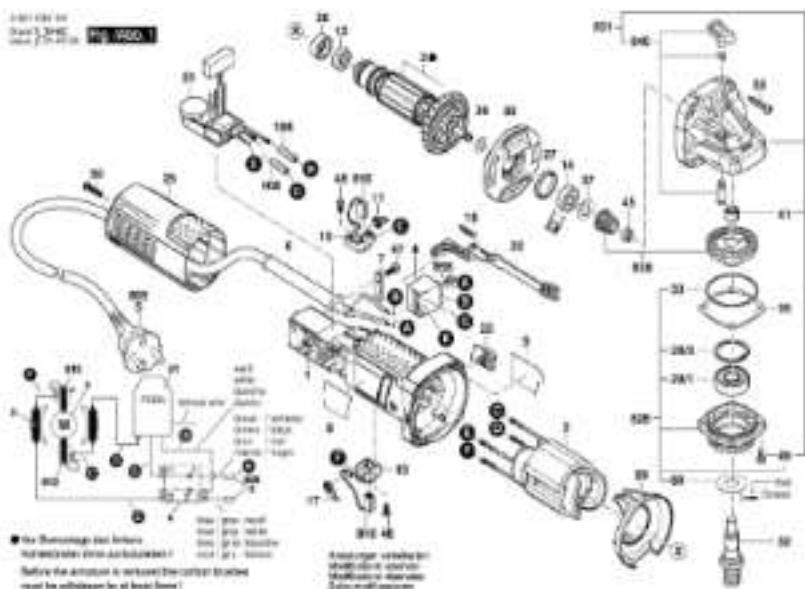
Interchangeability
Replacements parts are
not recommended

2 / 2

Model: 0 601 375 1X2 = 230

Item	Pc.	Order no.	Description	LF in IUT	Item	Pc.	Order no.	Description	LF in IUT

3 601 C56 1F0
Date 3.2016
Order 3.2016

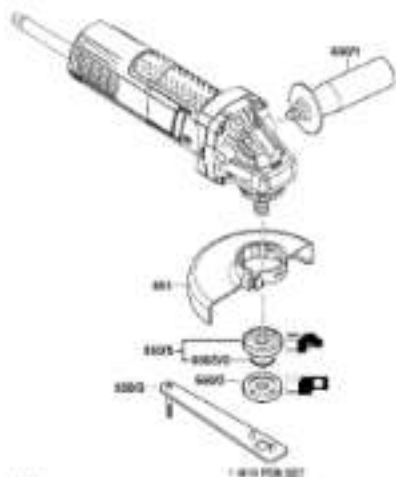


1 / 2

Model: 3 601 C56 1F0									
Item	Pc	Order no.	Description	LF in EUR	Item	Pc	Order no.	Description	LF in EUR
1	1	1 616 P10 000	Motor Housing	160,00	33	1	1 616 P03 020	O-Ring 44,0x1,0 MM	31,00
2	1	1 604 020 000	Field	610,00	35	1	1 616 P03 020	Shim 0,2 MM	31,00
3	1	1 604 010 000	Armature	737,00	36	1	1 616 P03 021	Shim 0,1 MM	31,00
4	1	1 607 000 011	Switch	274,00	37	1	1 616 P03 007	Washer	31,00
5	1	P 002 030 101	Power supply cord IHD	170,00	38	1	1 616 P14 044	Rotary shaft to seal	36,00
6	1	P 002 031 001	Grommet	31,00	41	1	1 600 010 010	Needle bearing 00X0120X2	60,00
7	1	1 601 000 017	Fastening Clamps	31,00	46	1	2 015 011 007	Hex Nut DIN 934-M6-S-A	30,00
8	1	1 616 P10 122	Nameplate		47	1	2 009 110 002	Special Screw	47,00
9	1	1 616 P14 002	Manufacturer's nameplate		48	2	1 616 P00 020	Torx Oval-Head Screw	31,00
13	1	1 616 P03 020	groove ball bearing	217,00	49	4	1 603 436 000	Three-forming Iso. Screw	45,00
14	1	1 616 P10 102	groove ball bearing	170,00	50	1	1 616 P00 100	Torx Oval-Head Screw	31,00
16	2	1 616 P01 011	Brush Holder	31,00	61	1	1 607 030 000	Speed governor	83,00
17	2	1 604 000 013	Coil Spring	45,00	66	4	1 616 P01 000	Torx Oval-Head Screw	31,00
18	1	1 616 P11 007	Compression Spring	34,00	80	1	1 616 P00 000	Cover Disc	70,00
20	1	1 616 P10 000	Adjusting Slide	61,00	103	2	1 616 P00 000	Shrinkable Tube	31,00
22	1	1 616 P10 000	Switch Button	50,00	650/1	1	1 616 P13 001	Auxiliary Handle	160,00
25	1	1 616 P10 007	Housing Cover	160,00	650/2	1	1 603 340 040	Round Nut M14	114,00
26	1	1 600 000 000	intermediate Ring	71,00	650/3	1	1 616 P00 007	Pin-Type Face- wrench	195,00
27	1	1 600 000 000	Rubber Ring	20,00	650/6	1	2 000 703 014	Clamping Flange	100,00
30/1	1	1 616 P07 040	Ball Bearing	210,00	650/2	1	1 600 010 000	O-Ring 20,00x1,70 MM	31,00
30/2	1	2 016 000 010	Retaining clip DIN	50,00	661	1	1 600 000 007	Protective Cover Ø125 MM	970,00
36	1	1 616 P10 010	Air-Deflector Ring	67,00	610	1	1 616 P11 710	Carbon-Brush Set	100,00
38	1	1 616 P14 130	Air Distributor	60,00	623	1	1 616 P01 001	Bearing Flange	401,00
39	1	1 616 P00 010	Grinding Spindle M 14, BV	387,00	631	1	1 616 P11 122	Gear Housing	913,00

Please observe: Repairing, modifying and testing of electric tools are to be performed professionally. The safety regulations according to IEC, EN, VDE, AFNOR and other regulations of the individual countries are to be observed. Subject to change. The price list supersedes all previous editions. Prices are subject to change without any prior notice.

3 601 C56 1F0
3 601 C56 1F0 | BO

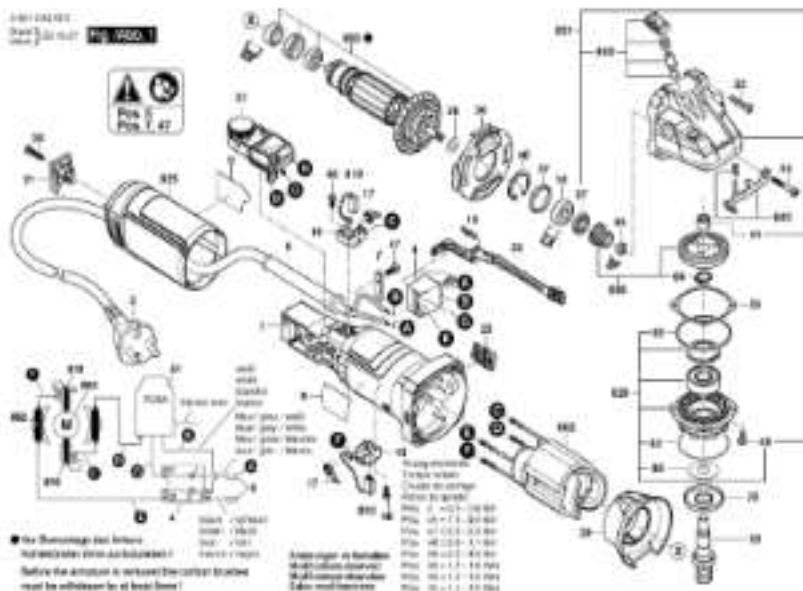


Stützpunkt verwenden
Nicht an anderen Stellen
verwenden
Bitte nicht verschieben



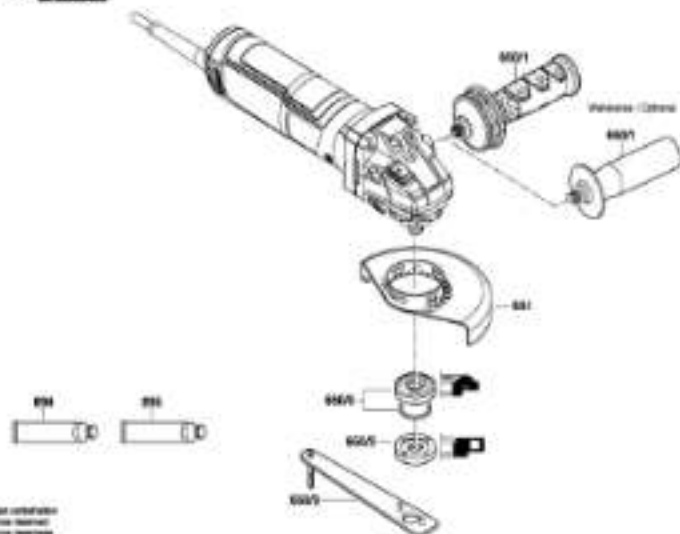
2 / 2

Model: 3 601 C56 1F0									
Item	Pc	Order no.	Description	LF in EUR	Item	Pc	Order no.	Description	LF in EUR
328	1	1 618 P18 111	Set Of Gears	417,00					
340	1	1 618 P12 126	Push Button	35,00					
329	1	2 910 541 031	Oval-Head Bolt	54,00					
334	1	1 618 430 020	Grease Tube 225 ML	1,612,00					
335	1	1 618 430 010	Grease Tube 225 ML	1,653,00					



Model: 3 601 CAG 0P2 = 230

Item	Pc	Order no.	Description	LF in EUR	Item	Pc	Order no.	Description	LF in EUR
1	1	1 616 P00 036	Motor Housing	171,00	41	1	1 600 210 216	Needle bearing 030X20 X23	30,00
4	1	1 607 200 218	Switch	126,00	46	1	1 616 P16 007	Hex Nut	27,00
5	1	1 602 030 111	Power supply cord	332,00	47	1	2 609 110 052	Special Screw	47,00
6	1	1 600 703 036	Commutator	87,00	48	2	1 616 P00 020	Torx Over-Head Screw	31,00
7	1	1 601 302 017	Fastening Clamps	31,00	49	4	1 603 435 026	Three-forming top. Screw	50,00
8	1	1 601 116 028	Nameplate		50	1	1 616 P00 100	Torx Over-Head Screw	31,00
9	1	1 601 110 416	Manufacturer's nameplate		51	1	1 607 203 560	Speed governor	1 044,00
14	1	1 616 P09 082	groove oil bearing	31,00	54	1	1 603 414 025	Torx Over-head Screw	39,00
16	2	1 600 400 R01	Brush Holder	40,00	55	2	1 616 P01 088	Torx Over-Head Screw	31,00
17	2	1 604 862 013	Spiral Spring	40,00	62	1	3 600 216 100	O-Ring 47,0X1,5 MM	50,00
18	1	1 616 P11 487	Compression Spring	34,00	69	1	2 610 240 007	Retaining ring	27,00
21	1	1 616 P00 083	Cap	27,00	70	1	2 600 180 028	Cover Disc	41,00
22	1	1 616 P00 040	Adjusting Slide	27,00	80	1	1 616 P09 190	Cover Disc	72,00
23	1	1 616 P21 181	Switch Button	27,00	85H	1	1 600 028 040	Auxiliary Handle	300,00
27	1	1 600 208 026	Rubber Ring	20,00	85Q	1	1 603 246 043	Round Nut M14	114,00
28	1	1 616 P00 033	Air-Deflector Ring	33,00	85S	1	1 616 P09 027	Pin-Type Fast-Wrench	185,00
30	1	1 616 P00 033	Air Distributor	27,00	86H	1	2 606 703 014	Clamping Flange	100,00
32	1	1 616 P16 210	Grinding Stone M14	140,00	86I	1	1 600 400 50R	Protective Cover	120,00
33	1	1 616 P14 427	O-Ring	30,00	902	1	1 616 P21 170	Field	720,00
35	1	1 600 138 013	Shim 0.1 MM THICK	74,00	903	1	1 616 P21 171	Armature	1 285,00
36	1	1 600 139 014	Shim 0.2 MM THICK	74,00	910	1	1 616 P21 172	Carbon-Brush Set	194,00
38	1	1 616 P00 087	Washer	31,00	928	1	1 616 P21 173	Housing Cover	140,00
37	1	1 600 220 016	Rotary shaft lip seal	54,00	929	1	1 616 P21 174	Bearing Flange	301,00
40	1	1 600 119 011	Retaining clip	21,00	931	1	1 616 P21 170	Gear Housing	975,00

Zusatzteile
Sonderpreis **19,40 €**Anzeige verbindet
die beiden Seiten
des Motors
nicht.

2 / 2

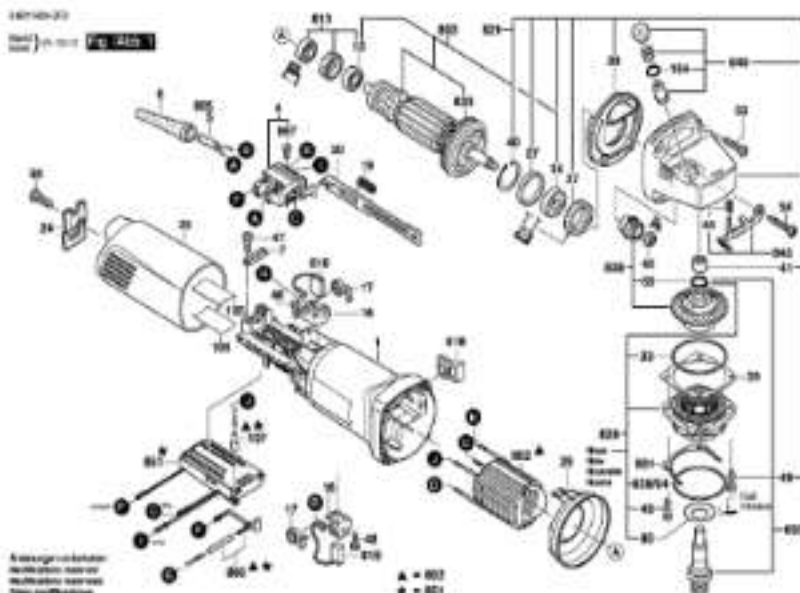
Model: 3 601 C46 0F2 = 230

Item	Pc	Order no.	Description	LF in EUR	Item	Pc	Order no.	Description	LF in EUR
828	1	1 618 921 171	Bevel Gear Set	425,00					
840	1	1 618 921 177	Push-Button	54,00					
843	1	1 607 000 742	Catch Lever	254,00					
864	1	1 618 430 030	Grease Tube 225 ML	1 612,00					
865	1	1 618 430 030	Grease Tube 225 ML	1 653,00					

Please observe: Repairing, modifying and testing of electro-tools are to be performed professionally. The safety regulations according to IEC, EN, VDE, AFNOR and other regulations of the individual countries are to be observed. Subject to change.

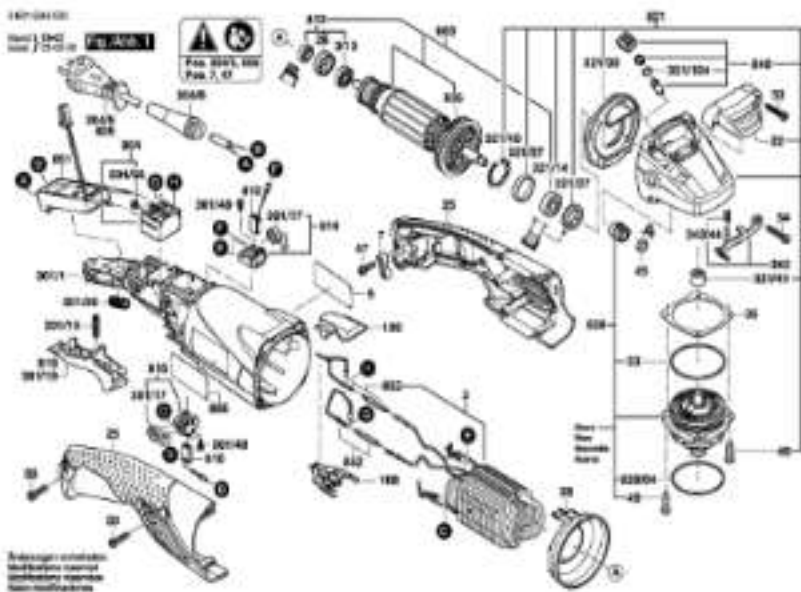
The price list supersedes all previous editions. Prices are subject to change without any prior notice.

Page 14 of 277



Model: 3 601 H24 2F2 = 230

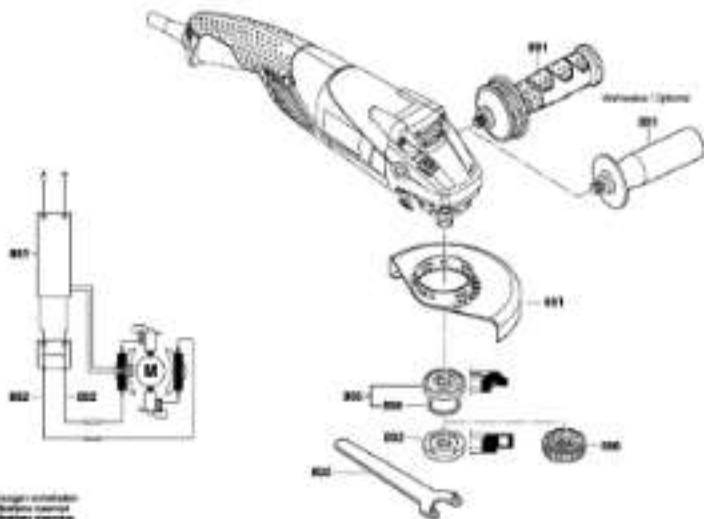
Item	Pc	Order no.	Description	LF in EUR	Item	Pc	Order no.	Description	LF in EUR
1	1	1 605 103 240	Motor Housing DARK	261,00	46	1	1 603 200 216	Hex Nut M7, SW10	33,00
4	1	1 607 200 200	Switch	231,00	47	1	2 912 401 218	Tapping Screw	30,00
5	1	F 002 030 111	Power supply cord	332,00	48	2	2 912 401 008	Tapping Screw	30,00
6	1	1 600 703 031	Grommet Ø7 3-Ø8, ØxØ7	70,00	49	1	1 610 707 590	Thread-forming tap, S0.5x	60,00
7	1	1 601 302 017	Fastening Clutch	31,00	50	1	2 912 401 420	Tapping Screw	30,00
12	1	2 602 200 032	Ball Bearing TK16NS	165,00	53	2	2 910 811 032	Tapping Screw DIN	31,00
14	1	1 605 205 032	groove ball bearing SK22X7	36,00	54	1	2 603 400 026	Taxi Oval-Head Screw	30,00
16	2	1 601 323 023	Brush holder WITH	109,00	59	1	2 910 240 007	Retaining ring	27,00
17	2	604 662 013	Spiral Spring	49,00	60	1	1 610 708 360	Cover Disc	70,00
18	1	1 604 611 026	Compression Spring	40,00	104	1	1 600 216 044	O-Ring 4.5X1.0 MM BLUE	30,00
20	1	1 602 319 011	Adjusting Blade	47,00	105	2	1 601 038 008	Insulating Plate	69,00
24	1	1 605 600 228	Cover BLUE	30,00	107	1	1 610 711 318	Insulating Part	37,00
25	1	1 602 500 291	Housing Cover DARK	224,00	651	1	1 600 402 558	Protective Cover	120,00
27	1	1 600 208 028	Rubber Ring	29,00	602	1	1 607 000 387	Field 220-240V	391,00
28	1	1 600 501 026	Air-Deflector Ring	75,00	603	1	1 604 210 422	Armature With Fan	1 814,00
30	1	1 600 501 014	Air-Deflector Ring	75,00	605	1	F 002 030 111	Power supply cord	332,00
32	1	1 600 210 028	O-Ring 40.ØX1.1 MM	31,00	610	1	1 607 014 178	Carbon-Brush Set	244,00
36	1	1 600 138 013	Stem 0.1 MM THICK	74,00	613	1	1 607 008 278	Parts Set	283,00
38	1	1 600 138 014	Stem 0.2 MM THICK	71,00	614	1	1 602 008 038	Switch handle	30,00
39	1	1 600 138 014	Stem 0.2 MM THICK	74,00	621	1	1 605 308 698	Gear Housing	790,00
37	1	1 600 260 016	Rotary shaft to seal	54,00	623	1	1 607 008 040	Bearing Flange	392,00
40	1	1 600 119 011	Retaining clip	62,00	623/04	1	2 600 210 109	O-Ring 47.0X1.8 MM	30,00
41	1	2 600 217 030	Needle-Roller Bearing	77,00	631	1	1 601 230 213	Spring Element	62,00
44	1	1 604 611 042	Compression Spring	30,00	632	1	1 619 713 212	Clamping Band	232,00



1 / 2

Model: 3 601 Q43 0F1									
Item	Pc	Order no.	Description	LP in EUR	Item	Pc	Order no.	Description	LP in EUR
7	1	1 804 332 00F	Field	1,045,00					
46	4	1 803 438 00L	Thread-forming tap. Screw	30,00					
20/010	1	1 806 400 00T	Adjusting Slide	122,00					
95V	1	1 807 402 63R	Protective Cover	128,00					
900	1	1 804 010 09L	Armature	2,470,00					
304	1	1 807 000 01E	On-Off Switch	321,00					
906	1	1 807 000 03R	Power supply cord						
903	1	1 801 114 24D	Nameplate						
010	1	1 807 000 06E	Carbon Brush	440,00					
018	2	1 807 000 05L	Brush Holder	136,00					
021	1	1 807 000 01F	Gear Housing	1,399,00					
023	1	1 807 000 06D	Sealing Flange	1,173,00					
027	1	1 807 233 00F	Speed governor	1,527,00					
029	1	1 802 028 00F	Auxiliary Handle	113,00					

3 601 G43 0F1

 [Symbol] [Symbol] **3 601 G43 0F1**


Reparatörler tarafından
 kullanılmayan koruyucu
 kapaklar gereksizdir.
 Kullanılmayan parçalar
 gereksizdir.

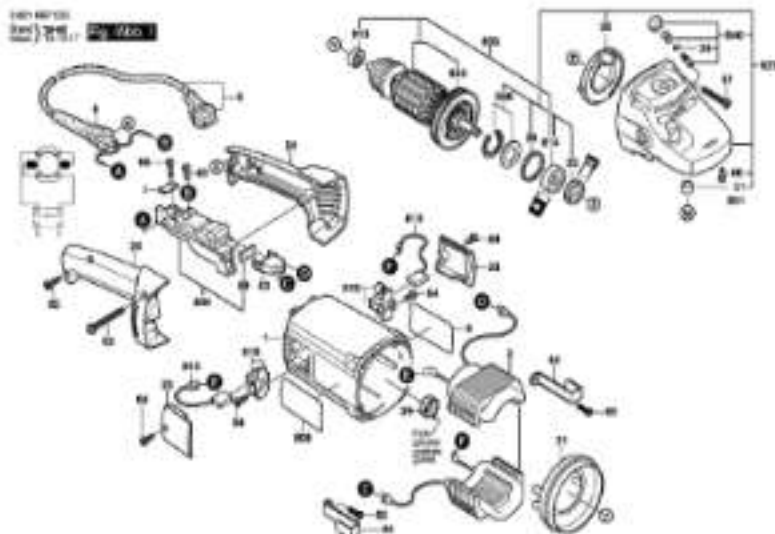
2 / 2

Model: 3 601 G43 0F1

Item	Pc	Order no.	Description	Life in hR	Item	Pc	Order no.	Description	Life in hR

Please observe: Repairing, installing and testing of electric tools are to be performed professionally. The safety regulations according to IEC, EN, VDE, AFNOR and other regulations of the individual countries are to be observed. Subject to change.

The price list supersedes all previous editions. Prices are subject to change without any prior notice.



Alle Angaben sind ohne Gewähr.
Alle Rechte vorbehalten.
Alle Änderungen vorbehalten.

1 / 3

Model: 3 601 HB7 0F0 = 230

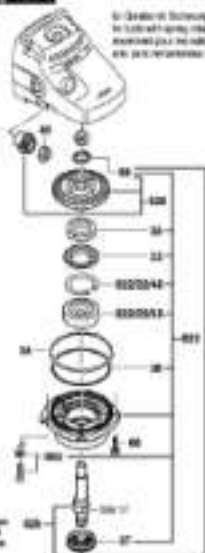
Item	Pc	Order no.	Description	LF in EUR	Item	Pc	Order no.	Description	LF in EUR
1	1	1 600 100 010	Motor Housing BLUE	231,00	30	1	1 610 P14 340	Rubber Ring	31,00
2	1	1 604 200 300	Field 220-240V	1470,00	44	2	1 601 334 000	Pickup Clip	37,00
3	1	1 600 001 000	Power supply cord	300,00	45	1	1 600 300 010	Hex Nut M10, SW14	50,00
6	1	1 600 700 010	Grommet 26,7-29,6X75	67,00	63	1	1 600 100 000	Socket Housing	60,00
7	1	1 601 300 010	Fastening Clamps	45,00	60	3	1 600 400 020	Thread-forming tap. Screw	49,00
9	1	1 610 P13 400	Manufacturer's nameplate	15,00	61	4	2 610 401 030	Tapping Screw DIN	30,00
23	2	1 610 P14 320	Sealing cap	20,00	62	2	1 600 400 020	Tapping Screw C4, SW6	30,00
24	1	1 610 P13 004	Handle	160,00	63	2	1 600 410 014	Pen head screw M4X10	50,00
25	1	1 600 210 030	O-Ring 78,0X1,75 MM	60,00	64	4	1 600 400 040	Plastic-Cutting Screw	60,00
26	1	1 600 210 040	O-Ring 8,0X1,0 MM	50,00	65	4	2 610 401 020	Tapping Screw DIN	30,00
30	1	1 600 001 020	Air Distributor	70,00	66	1	2 610 211 010	Tapping Screw DIN	30,00
31	1	1 610 P17 030	Air-Deflector Ring	30,00	68	1	1 601 000 011	Sealing Plate	60,00
32	1	1 600 200 010	Retaining snap ring	40,00	69	1	2 610 200 000	Spring retaining ring	30,00
33	1	1 600 200 010	Roller shaft lip seal 19,7	77,00	681	1	1 600 400 010	Protective Cover Ø=60 MM	300,00
34	1	1 600 100 037	Strim 0,2 MM THICK	30,00	803	1	1 604 011 000	Armature 220-240V	270,00
34	1	1 600 100 020	Strim 0,15 MM THICK	30,00	804	1	1 610 P14 100	Switch	300,00
34	1	1 600 100 022	Strim 0,1 MM THICK	30,00	810	1	1 607 014 171	Carbon-Brush Set	240,00
34	1	1 600 100 040	Strim 0,4 MM THICK	30,00	813	1	1 600 900 011	groove ball bearing SK32X7	110,00
34	1	1 600 100 036	Strim 0,25 MM THICK	30,00	814	1	1 600 900 020	groove ball bearing	110,00
34	1	1 600 100 021	Strim 0,3 MM THICK	30,00	818	2	1 604 300 040	Brush Holder	160,00
34	1	1 600 100 039	Strim 0,35 MM THICK	30,00	821	1	1 610 P14 100	Gear Housing	607,00
38	1	1 600 300 034	Felt Washer	60,00	822	1	1 607 000 004	Bearing Flange Ø=60 MM	1100,00
37	1	1 600 200 030	Seal Ring BLACK	77,00	823/824	1	1 600 110 010	Spring retaining ring	60,00
38	1	1 600 200 030	Rubber Ring 7 MM WIDE	50,00	823/825	1	1 600 900 020	groove ball bearing	134,00

Please observe: Repairing, modifying and testing of electric tools are to be performed professionally. The safety regulations according to IEC, EN, VDE, AFNOR and other regulations of the individual countries are to be observed. Subject to change.

The price list supersedes all previous editions. Prices are subject to change without any prior notice.

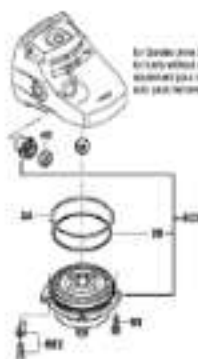
3 601 HB7 0F0
3 601 HB7 0F0

Original Bosch



Er Zerkeln die Schutzorgane
bei Laufen und nach dem Stillstand
ausreichend polieren und mit Öl einreiben
um das Verschleissrisiko zu mindern

Werkzeuge mit
Schutzorgane
ausreichend polieren
und mit Öl einreiben



Er Zerkeln die Schutzorgane
bei Laufen und nach dem Stillstand
ausreichend polieren und mit Öl einreiben
um das Verschleissrisiko zu mindern

2 / 3

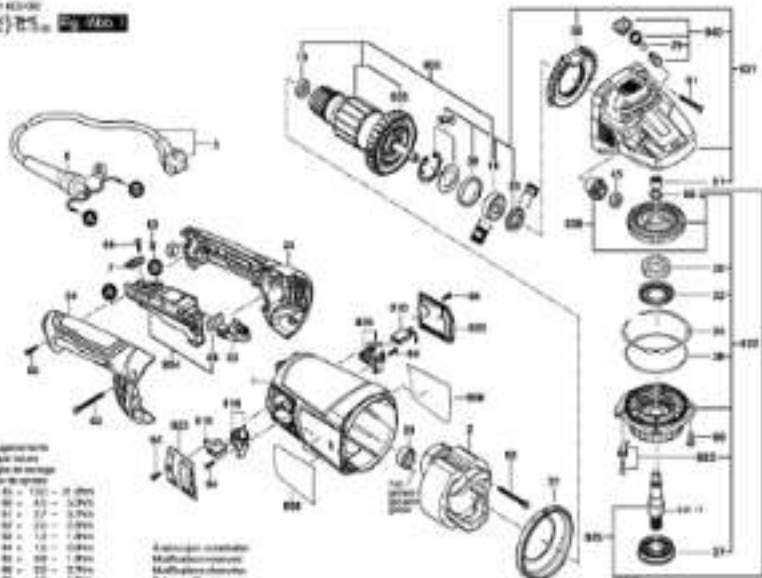
Model: 3 601 HB7 0F0 = 230

Item	Pc	Order no.	Description	LF in EUR	Item	Pc	Order no.	Description	LF in EUR
023	1	1 616 P16 024	Sealing Flange Ø120 MM	120,00					
025	1	1 616 P16 027	Grinding Spindle	381,00					
026	1	1 616 P16 405	Bevel Gear Set Ø120 MM	701,00					
028	1	1 608 810 127	Fan	92,00					
040	1	1 607 000 354	Push-Button	235,00					
045	1	1 607 000 342	Retaining Washer	65,00					
050	1	1 616 P16 507	Stopper	148,00					
060	1	1 600 210 026	O-Ring 20 25X1,75 MM	31,00					
061-1	1	1 600 028 002	Auxiliary Handle	692,00					
062	1	1 607 960 081	Pin-Type Face-Wrench	97,00					
063	1	2 608 703 014	Clamping Flange	108,00					
064	1	1 600 348 043	Round Nut M14	114,00					
065	1	1 600 401 044	Fast Locking Flange	1743,00					
067	1	1 608 430 003	Grease Tube 225 ML	1.633,00					
068	1	1 616 430 003	Grease Tube 225 ML	1.612,00					

Please observe: Repairing, modifying and testing of electric tools are to be performed professionally. The safety regulations according to IEC, EN, VDE, AFNOR and other regulations of the individual countries are to be observed. Subject to change.

The price list supersedes all previous editions. Prices are subjected to change without any prior notice.

1 601 H00 0F0
3 601 H00 0F0



Accessories
Trimmer
Cable storage
Fastener
Hex 4.5 - 1.50
Hex 4.5 - 1.50
Hex 4.5 - 1.50
Hex 4.5 - 1.50
Hex 4.5 - 1.50
Hex 4.5 - 1.50
Hex 4.5 - 1.50
Hex 4.5 - 1.50

Accessories available
Multi-tool
Multi-tool
Saw

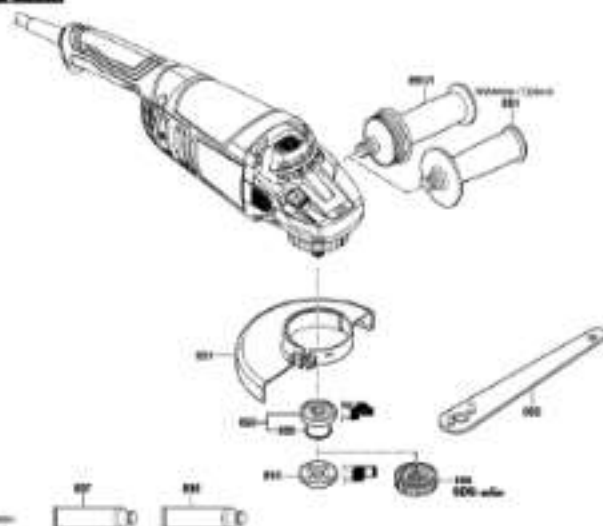
1 / 2

Model: 3 601 H00 0F0 = 230

Item	Pc	Order no.	Description	LF in EUR	Item	Pc	Order no.	Description	LF in EUR
1	1	1 600 100 200	Motor Housing		30	1	1 600 200 030	Roller Ring	40,00
2	1	1 610 P10 702	Field	1,070,00	46	1	1 600 300 010	Hex Nut M16, SW14	50,00
3	1	F 002 001 000	Power supply cord	300,00	51	1	2 600 010 001	Needle-Roller Bearing 214	50,00
4	1	2 600 700 010	Grommet 26.75-26.8K75	67,00	53	1	1 600 100 000	Socket Housing	60,00
5	1	1 601 300 010	Fastening Clamps	45,00	60	3	1 600 400 020	Thread-forming top. Screw	49,00
12	1	1 600 000 011	groove ball bearing 6022X7	110,00	61	4	2 610 401 030	Tapping Screw DIN	30,00
14	1	1 600 000 020	groove ball bearing	30,00	62	2	1 600 400 040	Tapping Screw 4.8X65	31,00
24	1	1 610 P10 272	Handle	220,00	63	2	1 600 410 014	Pen head screw M4X10	50,00
25	1	1 600 210 030	O-Ring 78,0X1,75 MM	60,00	64	4	1 600 400 040	Plastic-Cutting Screw	60,00
26	1	1 600 210 040	O-Ring 82,0X1,6 MM	60,00	65	4	2 610 401 030	Tapping Screw DIN	30,00
30	1	1 610 P10 274	Air Distributor	41,00	66	1	2 610 211 010	Tapping Screw DIN	30,00
31	1	1 610 P17 080	Air-Deflector Ring	64,00	68	1	1 601 000 011	Sealing Plate	60,00
32	1	1 600 200 010	Retaining strap ring	40,00	69	1	1 600 200 020	Spring retaining ring	30,00
33	1	1 600 200 010	Roller shaft lip seal 18,7	77,00	691	1	1 610 P10 000	Protective Cover 2-60 MM	340,00
34	1	1 600 100 040	Strim 0.4 MM THICK	30,00	803	1	1 610 P10 740	Armature	164,00
34	1	1 600 100 020	Strim 0.15 MM THICK	30,00	804	1	1 610 P14 100	Switch	300,00
34	1	1 600 100 027	Strim 0.2 MM THICK	30,00	810	1	1 607 014 171	Carbon-Brush Set	240,00
34	1	1 600 100 021	Strim 0.3 MM THICK	30,00	815	2	1 604 300 040	Brush Holder	100,00
34	1	1 600 100 026	Strim 0.25 MM THICK	30,00	821	1	1 610 P10 700	Gear Housing	240,00
34	1	1 600 100 022	Strim 0.1 MM THICK	60,00	822	1	1 610 P10 701	Sealing Flange 2-80 MM	60,00
34	1	1 600 100 036	Strim 0.25 MM THICK	30,00	823	1	1 610 P10 040	Sealing cap	30,00
38	1	1 600 000 034	Felt Washer	60,00	828	1	1 610 P10 207	Grinding Spindle	30,00
37	1	1 600 000 038	Seal Ring BLACK	77,00	829	1	1 610 P10 400	Bevel Gear Set 2-80 MM	70,00
38	1	1 600 200 030	Rubber Ring 7 MM WIDE	60,00	835	1	1 600 010 142	Pen	34,00

Please observe: Repairing, modifying and testing of electric tools are to be performed professionally. The safety regulations according to IEC, EN, VDE, AFNOR and other regulations of the individual countries are to be observed. Subject to change.

The price list supersedes all previous editions. Prices are subject to change without any prior notice.

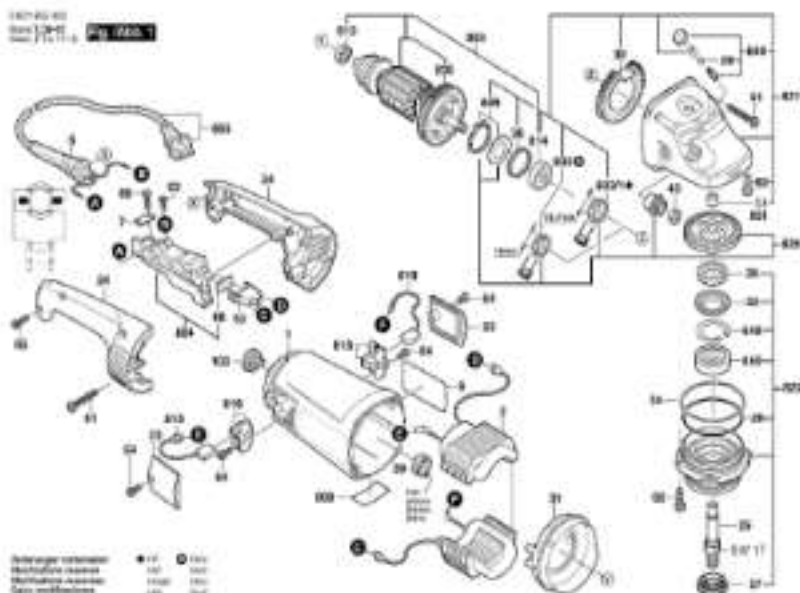
2 601 H00 0F0
 GWS 2200

 Exchangeable
 Multi-Function
 Auxiliary Handle
 From Model 2200

2 / 3

Model: 3 601 H00 0F0 = 220									
Item	Pc	Order no.	Description	LF in EUR	Item	Pc	Order no.	Description	LF in EUR
940	1	1 616 P16 702	Push-Button	33,00					
945	1	1 607 000 342	Retaining Washer	93,00					
952	1	1 616 P05 927	Stopper	180,00					
953	1	1 600 210 036	O-Ring 20,26X1,76 MM	31,00					
961	1	1 602 022 041	Auxiliary Handle	642,00					
961-1	1	1 602 022 092	Auxiliary Handle	689,00					
962	1	1 607 960 081	Pin-Type Face-Wrench	87,00					
962	1	2 608 703 014	Clamping Flange	109,00					
994	1	1 603 340 040	Round Nut M14	114,00					
995	1	1 600 401 944	Fast Locking Flange	1741,00					
997	1	1 605 430 003	Grease Tube 220 ML	1 639,00					
998	1	1 616 430 003	Grease Tube 220 ML	1 619,00					

1 601 953 4X0
0 601 953 4X0

Fig. 1/201.1



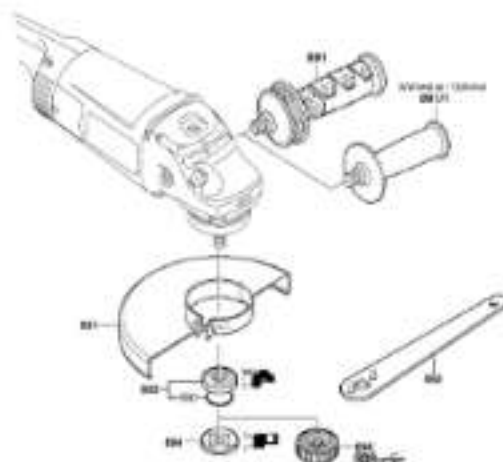
1 / 2

Model: 0 601 953 4X0

Item	Pc	Order no.	Description	LP in EUR	Item	Pc	Order no.	Description	LP in EUR
1	1	1 605 105 100	Motor Housing BLUE	640,00	63	1	1 605 190 395	Socket Housing	32,00
2	1	1 604 220 57K	Field	1,984,00	60	4	1 603 435 023	Thread-forming tap Screw	49,00
3	1	1 605 703 023	Grommel Ø	31,00	61	8	2 012 401 030	Tapping Screw DIN	30,00
7	1	1 601 200 016	Fastening Clam	62,00	62	2	1 603 415 214	Pen head screw MAX10	62,00
23	2	2 10 800 802	Sealing cap	39,00	64	4	1 603 426 042	Plastic-Cutting Screw	50,00
24	1	1 605 132 141	Handle BLUE	301,00	65	2	2 012 401 020	Tapping Screw DIN	30,00
25	1	2 10 P16 227	Grinding Spindle	381,00	66	1	2 010 211 210	Tapping Screw DIN	30,00
26	1	1 603 210 030	O-ring 75 ØX1,75 MM	45,00	68	1	1 601 006 011	Sealing Plate	50,00
28	1	1 603 210 045	O-Ring 8,0X1,0 MM	62,00	103	1	1 603 383 036	Cable routing	40,00
29	1	1 603 591 028	Air Distributor	72,00	69	1	1 603 408 015	Protective Cover Ø180 MM	320,00
31	1	1 603 591 028	Air-Deflector Ring	110,00	803	1	1 604 010 801	Armature	1,230,00
32	1	1 603 320 016	Retaining snap ring	40,00	804	1	1 607 000 067	Switch BLACK	384,00
34	1	1 603 190 027	Brim 0,2 MM THICK	32,00	805	1	F 022 021 027	Matrix Case	944,00
34	1	1 603 190 028	Brim 0,35 MM THICK	32,00	810	1	1 607 014 171	Carbon-Brush Set	240,00
34	1	1 603 190 030	Brim 0,1 MM THICK	65,00	813	1	1 603 026 011	groove ball bearing 8X22X7	110,00
34	1	1 603 190 021	Brim 0,3 MM THICK	63,00	814	1	1 603 026 028	groove ball bearing	238,00
34	1	1 603 190 020	Brim 0,15 MM THICK	63,00	818	2	1 604 336 048	Brush Holder	160,00
34	1	1 603 190 040	Brim 0,4 MM THICK	32,00	821	1	1 607 006 003	Gear Housing	1,250,00
34	1	1 603 190 038	Brim 0,25 MM THICK	32,00	822	1	1 607 000 004	Sealing Flange Ø180 MM	1,132,00
35	1	1 603 205 034	Felt Washer	62,00	825	1	1 603 400 299	Parts Set	2,101,00
37	1	1 603 200 036	Seal Ring BLACK	77,00	833	1	1 603 290 064	Rotary shaft lip seal 16 MM	64,00
38	1	1 603 208 030	Rubber Ring 7 MM WIDE	62,00	833/1	1	1 603 290 013	Rotary shaft lip seal 18,7	77,00
39	1	1 603 208 030	Rubber Ring	43,00	835	1	1 605 610 142	Pin	34,00
45	1	1 603 300 016	Hex Nut M10, 6W14	52,00	840	1	1 607 000 354	Push-Button	230,00

Please observe: Repairing, modifying and testing of electric tools are to be performed professionally. The safety regulations according to IEC, EN, VDE, AFNOR and other regulations of the individual countries are to be observed. Subject to change.

The price list supersedes all previous editions. Prices are subject to change without any prior notice.

1 607 924 X0
 Bosch Power Tools
 1 607 924 X0

 Bosch Power Tools
 Bosch Power Tools
 Bosch Power Tools

2 / 3

Model: 0 601 953 4X0

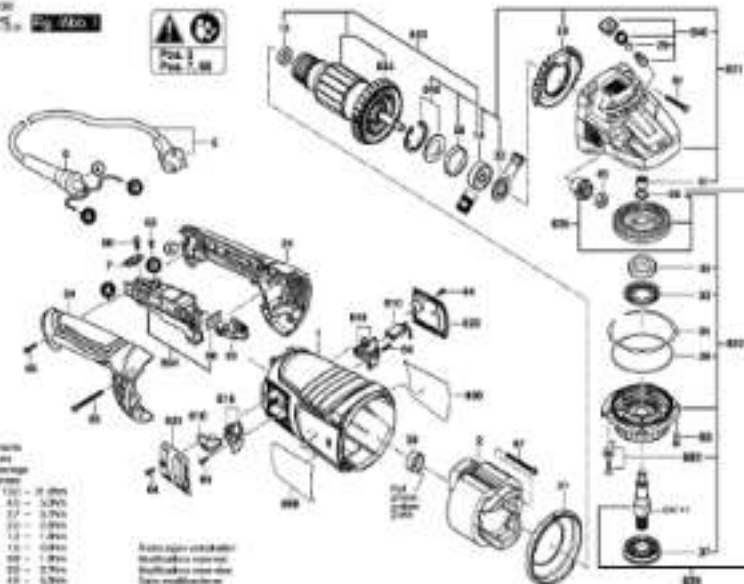
Item	Pc	Order no.	Description	LF in EUR	Item	Pc	Order no.	Description	LF in EUR
893	1	1 607 924 036	Retaining Washer	77,00					
891	1	1 607 119 010	Spring retaining ring	55,00					
892	1	1 607 923 026	groove ball bearing	104,00					
894	1	2 607 210 001	Needle-Roller Bearing Ø 14	80,00					
895	1	1 607 210 036	O-Ring 20.35X1.75 MBR	31,00					
897	1	1 607 928 051	Auxiliary Handle M14	1 173,00					
894/1	1	1 607 928 041	Auxiliary Handle	642,00					
895	1	1 607 928 051	Pin-Type Face-Vice	87,00					
896	1	2 607 703 016	Clamping Flange	103,00					
897	1	1 607 348 043	Round Nut M14	114,00					
898	1	1 607 401 899	Feet Locking Flange	1 740,00					

Please observe: Repairing, modifying and testing of electric tools are to be performed professionally. The safety regulations according to IEC, EN, VDE, AFNOR and other regulations of the individual countries are to be observed. Subject to change.

The price list supersedes all previous editions. Prices are subject to change without any prior notice.

1.601 HC2 0F0
Spare Parts

Fig. 1/100



Dimensions
Technical values
Subject to change
Please refer to

mm	in
40	1.57
45	1.77
50	1.97
55	2.17
60	2.36
65	2.56
70	2.76
75	2.95
80	3.15
85	3.35
90	3.54
95	3.74
100	3.94

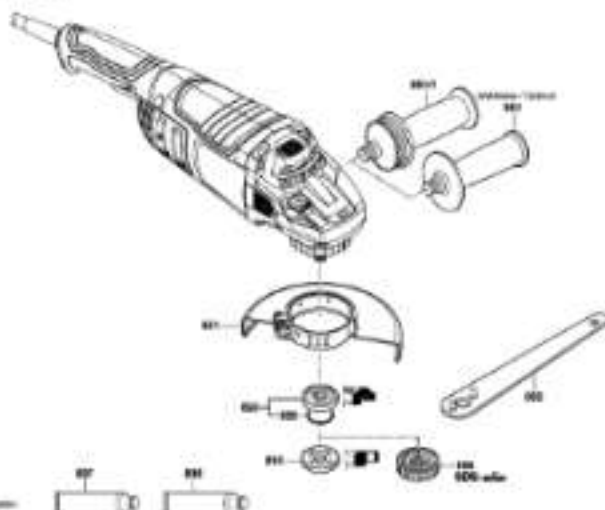
Always refer to the
Maintenance manual
for further information
on the maintenance

1 / 2

Model: 3 601 HC2 0F0 = 230

Item	Pc	Order no.	Description	LF in EUR	Item	Pc	Order no.	Description	LF in EUR
1	1	1 610 P14 347	Motor Housing	740,00	30	1	1 600 206 030	Rubber Ring	45,00
2	1	1 610 P14 350	Field	1.480,00	46	1	1 603 300 310	Hex Nut M16, SW14	50,00
3	1	F 002 031 007	Main Cable	344,00	51	1	2 600 210 001	Needle-Roller Bearing 214	50,00
6	1	2 600 703 010	Grommet 26,7-29,6X75	87,00	63	1	1 605 190 065	Socket Housing	60,00
7	1	1 601 302 016	Fastening Clutch	45,00	60	3	1 603 435 023	Thread-forming tap. Screw	49,00
12	1	1 600 205 011	groove ball bearing 6X22X7	110,00	61	4	2 612 401 038	Tapping Screw DIN	30,00
14	1	1 600 205 028	groove ball bearing	229,00	62	2	1 603 435 050	Tapping Screw 4.5X65	31,00
24	1	1 610 P15 273	Handle	300,00	63	1	1 603 410 014	Pen head screw M4X10	50,00
25	1	1 600 210 033	O-Ring 78,0X1,78 MM	63,00	64	4	1 603 430 042	Plastic-Cutting Screw	60,00
26	1	1 600 210 048	O-Ring 8,0X1,6 MM	92,00	65	4	2 612 401 020	Tapping Screw DIN	32,00
30	1	1 610 P15 274	Air Distributor	41,00	66	1	2 610 211 019	Tapping Screw DIN	30,00
31	1	1 610 P17 085	Air-Deflector Ring	64,00	67	2	1 603 430 024	Tapping Screw D4,5X63	58,00
32	1	1 600 200 016	Retaining steel ring	49,00	68	1	1 601 006 011	Sealing Plate	50,00
33	1	1 600 200 013	Rotary shaft lip seal 19,7	77,00	69	1	2 610 500 005	Spring retaining ring	30,00
34	1	1 600 190 037	Stim 0,2 MM THICK	30,00	69	1	1 610 P15 022	Protective Cover Ø180 MM	348,00
34	1	1 600 190 030	Stim 0,15 MM THICK	30,00	203	1	1 610 P19 541	Arrestor	3.054,00
34	1	1 600 190 040	Stim 0,4 MM THICK	30,00	204	1	1 610 P19 060	Switch	601,00
34	1	1 600 190 039	Stim 0,35 MM THICK	30,00	210	1	1 607 014 171	Carbon-Brush Set	245,00
34	1	1 600 190 021	Stim 0,3 MM THICK	30,00	210	2	1 604 326 048	Brush Holder	159,00
34	1	1 600 190 022	Stim 0,1 MM THICK	30,00	221	1	1 610 P19 750	Gear Housing	643,00
34	1	1 600 190 038	Stim 0,25 MM THICK	30,00	222	1	1 610 P19 791	Bearing Flange Ø180 MM	501,00
35	1	1 600 205 024	Felt Washer	83,00	223	1	1 610 P19 048	Sealing cap	30,00
37	1	1 600 205 038	Seal Ring BLACK	77,00	225	1	1 610 P19 257	Grinding Spindle	331,00
38	1	1 600 205 030	Rubber Ring 7 MM WIDE	50,00	225	1	1 610 P19 485	Bevel Gear set Ø180 MM	701,00

REPAIR KIT
3 601 HC2 0F0 | BO

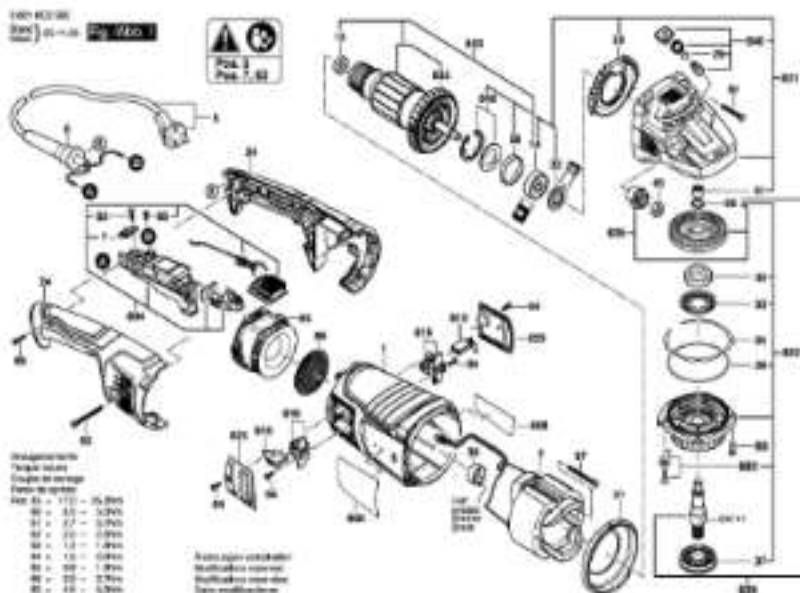


Rechargeable batteries
Multi-battery charger
Multi-battery charger
Spare handling cover

2 / 3

Model: 3 601 HC2 0F0 = 230

Item	Pc	Order no.	Description	LF in EUR	Item	Pc	Order no.	Description	LF in EUR
326	1	1 608 910 142	Fan	34,00					
340	1	1 610 P15 T81	Push-Button	33,00					
342	1	1 607 000 342	Retaining Washer	31,00					
352	1	1 616 P05 627	Stopper	125,00					
360	1	1 600 210 026	O-Ring 20.35x1.75 MM	31,00					
361/1	1	1 602 028 062	Auxiliary Handle	229,00					
362	1	1 607 960 081	Pin-Type Face-Wrench	87,00					
363	1	2 606 703 014	Clamping Flange	109,00					
364	1	1 603 348 043	Round Nut M14	114,00					
367	1	1 605 430 000	Grease Tube 225 ML	1.035,00					
368	1	1 616 430 000	Grease Tube 225 ML	1.912,00					

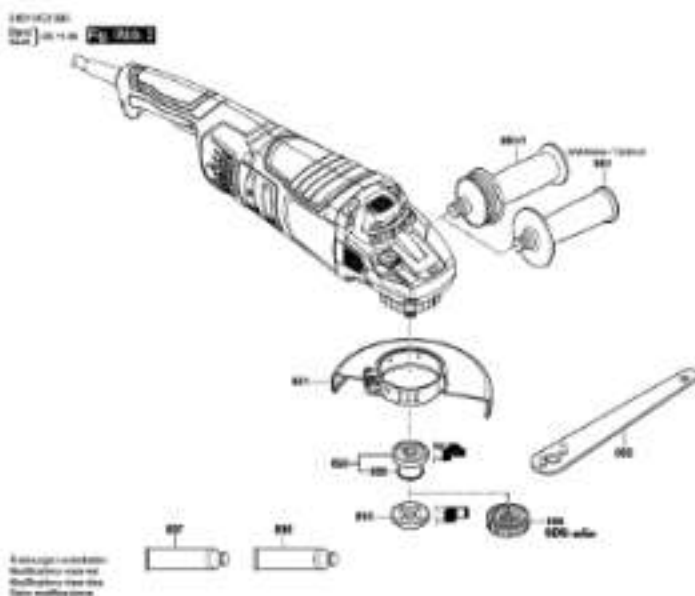


Model: 3 601 HC2 3F0 = 230

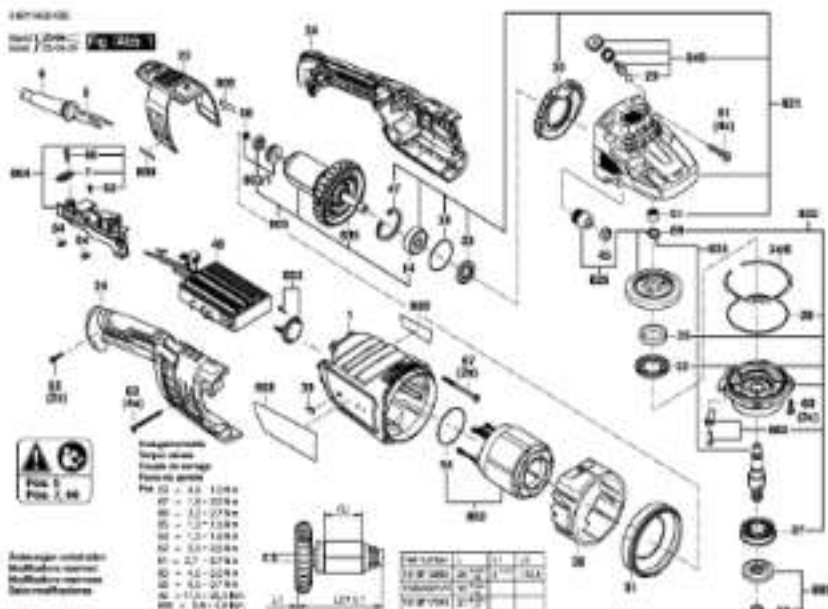
Item	Pc	Order no.	Description	LP in EUR	Item	Pc	Order no.	Description	LP in EUR
1	1	1 616 P14 447	Motor Housing	740,00	30	1	1 600 208 030	Rubber Ring	43,00
2	1	1 616 P14 099	Field	1.480,00	45	1	1 603 300 310	Hex Nut M16, SW14	50,00
3	1	F 002 001 007	Main Cable	244,00	51	1	1 600 210 001	Needle-Roller Bearing Ø14	50,00
5	1	2 600 703 010	Grommet ØS 7-ØS 6X75	67,00	60	3	1 603 426 023	Thread-forming No. Screws	40,00
6	1	1 601 302 016	Fastening Clamps	45,00	61	4	2 612 401 038	Teasing Screw 1/4	30,00
12	1	1 600 208 011	groove ball bearing 6X22X7	110,00	62	2	1 603 426 060	Teasing Screw 4,5X65	31,00
14	1	1 600 208 028	groove ball bearing	329,00	63	2	1 603 410 014	Pan head screw MAX10	50,00
24	1	1 616 P10 036	Handle	485,00	64	4	1 603 426 042	Plastic-Cutting Screws	50,00
25	1	1 600 210 033	O-Ring 78,ØK1,78 MM	63,00	65	4	2 612 401 030	Teasing Screw DIN	30,00
26	1	1 600 210 048	O-Ring 78,ØK1,6 MM	62,00	66	1	2 610 211 010	Teasing Screw DIN	30,00
30	1	1 616 P13 274	Air Distributor	41,00	67	2	1 603 426 024	Teasing Screw 4,5X63	30,00
31	1	1 616 P17 085	Air-Deflector Ring	64,00	68	1	2 618 600 008	Spring retaining ring	30,00
32	1	1 600 220 016	Retaining strap ring	49,00	69	1	1 616 P15 700	Disk separator	210,00
33	1	1 600 220 054	Rotary shaft lip seal 18 MM	69,00	69	1	1 616 P15 040	Air Deflector	140,00
34	1	1 600 190 040	Strim 0.4 MM THICK	30,00	69	1	1 616 P15 022	Protective Cover Ø180 MM	348,00
34	1	1 600 190 029	Strim 0.25 MM THICK	30,00	69	1	1 616 P15 541	Arrestor	3.054,00
34	1	1 600 190 021	Strim 0.3 MM THICK	30,00	69	1	1 616 P15 542	Switch	1.850,00
34	1	1 600 190 038	Strim 0.25 MM THICK	30,00	69	1	1 607 014 171	Carbon-Brush Set	245,00
34	1	1 600 190 020	Strim 1.5 MM THICK	30,00	69	2	1 604 326 048	Brush Holder	150,00
34	1	1 600 190 022	Strim 0.1 MM THICK	30,00	69	1	1 616 P15 271	Gear Housing	2.050,00
34	1	1 600 190 037	Strim 0.2 MM THICK	30,00	69	1	1 616 P15 791	Bearing Flange Ø180 MM	60,00
35	1	1 600 208 034	Felt Washer	63,00	69	1	1 616 P15 048	Sealing cap	30,00
37	1	1 600 208 038	Seal Ring BLACK	77,00	69	1	1 616 P15 257	Grinding Spindle	331,00
38	1	1 600 208 030	Rubber Ring 7 MM WIDE	50,00	69	1	1 607 000 010	Bevel Gear Set	1.441,00

Please observe: Repairing, modifying and testing of electric tools are to be performed professionally. The safety regulations according to IEC 611, VDE, AFNOR and other regulations of the individual countries are to be observed. Subject to change.

The price list supersedes all previous editions. Prices are subject to change without any prior notice.



Item	Pc	Order no.	Description	LF in CHF	Item	Pc	Order no.	Description	LF in CHF
326	1	1 606 910 142	Fan	34,00					
340	1	1 616 P16 T5L	Push-Button	33,00					
342	1	1 607 000 342	Retaining Washer	31,00					
332	1	1 616 P08 62T	Stopper	102,00					
362	1	1 600 210 026	O-Ring 20.35x1.76 MM	31,00					
301/1	1	1 602 026 092	Auxiliary Handle	689,00					
352	1	1 617 980 081	Pin-Type Face-Wrench	87,00					
360	1	2 606 703 014	Clamping Flange	109,00					
334	1	1 603 340 040	Round Nut M14	114,00					
366	1	1 600 401 694	Fast Locking Flange	174,00					
367	1	1 606 430 000	Grease Tube 220 ML	1 639,00					
368	1	1 616 430 000	Grease Tube 225 ML	1 610,00					



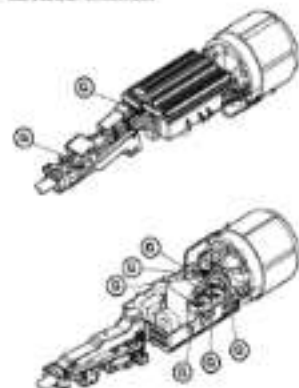
Model: 3 601 H2G 0F0 = 230

Item	Pc	Order no.	Description	LF in EUR	Item	Pc	Order no.	Description	LF in EUR
1	1	1.91 P10 001	Motor Housing	60,00	30	1	1.91 P17 038	Plug	60,00
2	1	1.90 450 730	Power supply cord		46	1	1.903 300 010	Hex Nut M16, SW14	50,00
3	1	1.91 P14 000	Grommet	30,00	47	1	1.91 P18 038	Spring retaining ring	30,00
7	1	1.91 200 010	Fastening Clam	30,00	48	1	1.91 P18 027	Electronics Module	8.100,00
14	1	1.90 805 030	groove ball bearing	230,00	51	1	1.900 210 001	Needle-Roller Bearing 214	50,00
23	1	1.91 P18 044	Filter	300,00	53	1	1.91 P18 007	O-Ring	60,00
34	1	1.91 P18 021	Handle	74,00	54	1	1.91 P18 781	Rubber Ring	
35	1	1.90 210 030	O-Ring 75.0X1,75 MM	60,00	55	1	1.91 P18 000	Cover	77,00
36	1	1.90 210 040	O-Ring 8.0X1,0 MM	60,00	60	4	1.903 430 033	Thread-forming tap. Screws	40,00
37	1	1.90 591 030	Air Distributor	72,00	61	4	2.912 401 038	Tapping Screw DIN	30,00
38	1	1.91 P10 021	Air-Deflector Ring	110,00	62	4	1.903 430 060	Tapping Screw 4.0X30	31,00
39	1	1.90 320 010	Retaining snap ring	40,00	63	1	1.903 410 014	Pin head screw M4X10	60,00
43	1	1.90 220 010	Rotary shaft lip seal 18,7	77,00	64	2	2.911 030 005	fixing plate	48,00
34-B	1	1.90 190 040	Shim 0,4 MM THICK	30,00	65	2	2.912 401 030	Tapping Screw DIN	30,00
34-B	1	1.90 190 021	Shim 0,3 MM THICK	30,00	66	1	2.910 211 010	Tapping Screw DIN	30,00
34-B	1	1.90 190 022	Shim 0,1 MM THICK	30,00	67	2	1.910 P10 043	Stator	30,00
34-B	1	1.90 190 027	Shim 0,3 MM THICK	30,00	68	1	2.910 590 008	Spring retaining ring	30,00
34-B	1	1.90 190 030	Shim 0,15 MM THICK	30,00	69	1	1.910 P15 022	Protective Cover 2180 MM	340,00
34-B	1	1.90 190 036	Shim 0,25 MM THICK	30,00	302	1	1.910 P18 000	Stator	3.070,00
34-B	1	1.90 190 038	Shim 0,25 MM THICK	30,00	303	1	1.910 P17 430	Rotor	5.990,00
36	1	1.90 305 034	Felt Washer	60,00	303-1	1	1.910 P17 217	Bearing set	910,00
38	1	1.91 P17 021	Insert	194,00	303-2	1	1.910 P18 023	Wear and Tear Part Set	700,00
37	1	1.91 P18 024	O-Ring	60,00	304	1	1.910 P91 007	Switch	
38	1	1.91 210 123	O-Ring 35.0X3,0 MM	51,00	305	1	1.910 P17 494	Nameplate	

Please observe: Repairing, modifying and testing of electro-tools are to be performed professionally. The safety regulations according to IEC 611, VDE, AFNOR and other regulations of the individual countries are to be observed. Subject to change. The price list supersedes all previous editions. Prices are subjected to change without any prior notice.

1 619 929 000

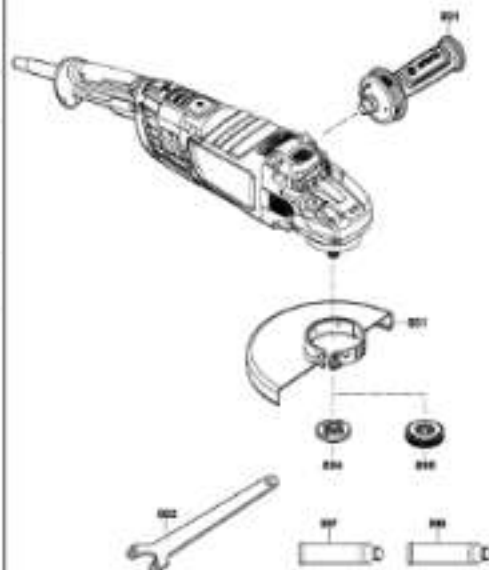
Max. 12000 RPM
Max. 7.5 Nm | **Fig. 1400 3**



⑩ = Apply glue on eight corners!
Noted off out of stock sub object



Recharge controller
Distribution network
Distribution network
Non-modifiable



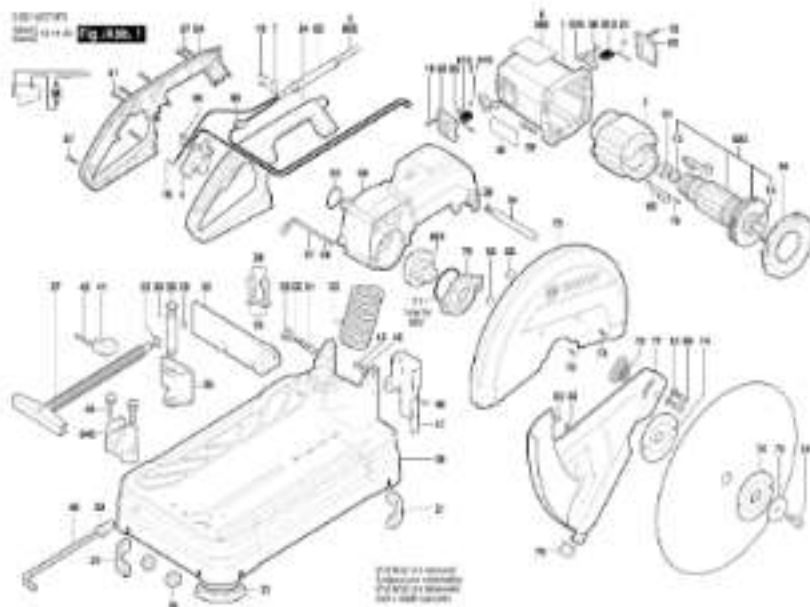
2 / 3

Model: 3 601 H2G 0F0 = 230

Item	Pc	Order no.	Description	LF in EUR	Item	Pc	Order no.	Description	LF in EUR
101	1	1 619 P17 210	Gear Housing	240,00					
102	1	1 619 P16 791	Bearing Flange Ø180 MM	69,00					
103	1	1 619 P17 221	Grinding Spindle	414,00					
104	1	1 619 P17 223	Bevel Gear Set	1.479,00					
105	1	1 619 P16 030	Fan	300,00					
106	1	1 619 P17 224	Push-Button	202,00					
107	1	1 619 P17 225	Electronics Module	435,00					
108	1	1 619 P05 097	Stopper	190,00					
109	1	1 602 028 002	Auxiliary Handle	690,00					
110	1	1 619 P16 281	Pin-Type Face-Wrench	340,00					
111	1	1 619 P17 227	Clamping Flange	221,00					
112	1	1 619 P17 261	Round Nut	202,00					
113	1	1 602 401 044	Fest Locking Flange	1.743,00					
114	1	1 608 420 000	Grease Tube 225 ML	1.033,00					
115	1	1 615 420 000	Grease Tube 225 ML	1.612,00					

Please observe: Repairing, modifying and testing of electric tools are to be performed professionally. The safety regulations according to IEC, EN, VDE, AFNOR and other regulations of the individual countries are to be observed. Subject to change.

The price list supersedes all previous editions. Prices are subjected to change without any prior notice.

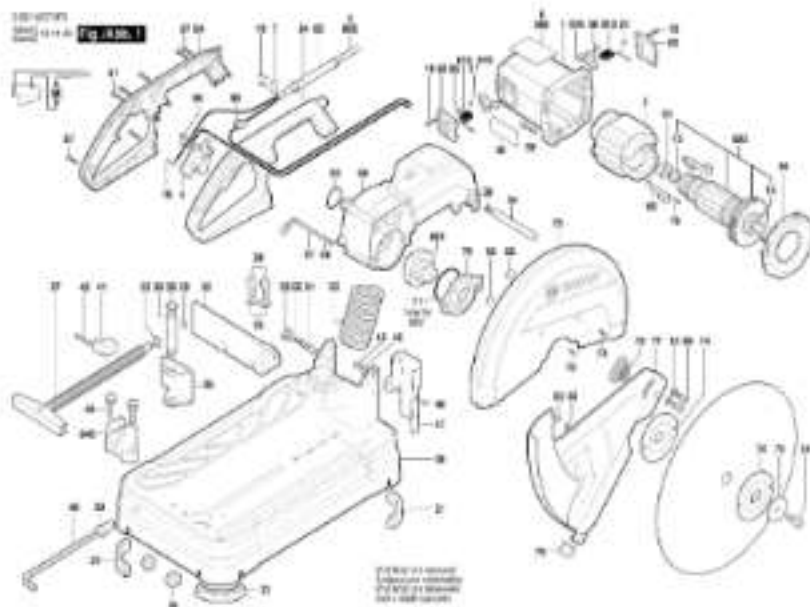


Model: 3 601 M27 3F0 = 230

Item	Pc	Order no.	Description	LP in EUR	Item	Pc	Order no.	Description	LP in EUR
1	1	1 600 800 801	Motor Housing	470,00	38	1	1 600 800 916	Clip	47,00
2	1	1 600 800 135	Field 220-240V	1 910,00	39	2	1 600 800 928	Clip	47,00
3	1	1 600 800 185	Field	2 180,00	40	1	1 600 800 970	Clamping Block	330,00
4	1	1 600 800 608	Switch	410,00	42	1	610 700 780	Spring Pin ISO 13337-4X25	37,00
5	1	1 600 800 730	Power supply cord		44	2	1 600 800 929	Screw and washer	45,00
7	1	1 600 800 182	Cable Clip	40,00	45	1	1 600 800 908	Screw	45,00
8	1	1 600 810 248	Nameplate		46	1	1 600 801 154	Nut	35,00
9	1	1 600 810 340	Nameplate		47	1	1 600 800 484	Protective Guard	
13	1	610 700 800	Bearing 608-GRS	27,00	47	1	1 600 801 104	Protective Guard	75,00
14	1	1 600 800 057	Bearing	330,00	48	1	1 600 800 430	Thread-Forming Screw	40,00
18	2	1 600 800 944	Screw	45,00	49	1	1 600 800 922	Hexagon Socket Wrench	110,00
19	5	1 600 800 267	Screw 600-BYN 2T	40,00	50	1	1 600 800 917	Key Holder	45,00
20	1	1 600 800 545	Warning Label		51	1	1 600 800 925	Shaft	33,00
21	2	1 600 800 016	Spring	85,00	52	1	610 700 910	O-Ring 4,5X1,5	37,00
26	2	610 700 931	Hex Nut DIN 934-M8	30,00	53	1	1 600 800 954	Cap	45,00
30	1	1 600 801 890	Base	1 870,00	54	1	1 600 800 918	Pivot Shaft	92,00
30	1	1 600 802 382	Base		55	1	1 600 800 910	Contact wire	330,00
31	4	1 600 800 994	Supporting foot	44,00	56	1	1 600 800 981	Arm	2 200,00
32	1	1 600 802 474	Stop Bracket	402,00	57	1	1 600 800 910	Locking Pin	30,00
33	6	1 600 897 045	Plain Washer	37,00	58	1	610 700 984	Compression Spring	30,00
34	3	1 600 800 936	Screw	45,00	59	4	610 700 638	Thread-forming tap. Screws	37,00
38	1	1 600 800 909	Clamp Bracket	185,00	60	2	610 700 923	Pickup Clip	54,00
39	1	1 600 800 927	Connecting Rod	142,00	61	1	1 600 208 130	Rubber Ring	43,00
37	1	1 600 800 998	Clamp Screw	425,00	62	2	1 600 800 927	Brush-Cover	45,00

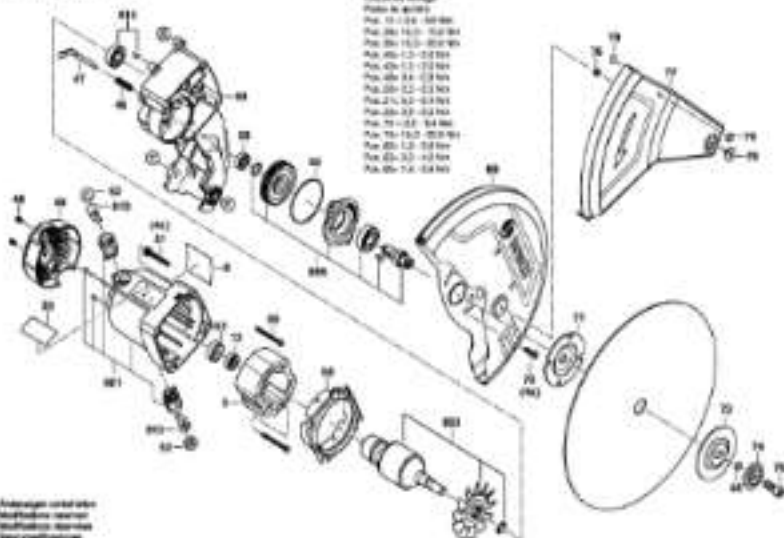
Please observe! Repairing, modifying and testing of electric tools are to be performed professionally. The safety regulations according to IEC 611, VDE, AFNOR and other regulations of the individual countries are to be observed. Subject to change.

The price list supersedes all previous editions. Prices are subject to change without any prior notice.



Model: 3 601 M27 3F0 = 230

Item	Pc	Order no.	Description	LF in EUR	Item	Pc	Order no.	Description	LF in EUR
63	1	1 609 920 080	O-Ring	32,00	803	1	1 609 920 930	Armature assembly	2 433,00
64	1	1 609 920 034	Air-Deflector Ring	100,00	805	1	1 609 920 944	Power supply cord	
70	1	1 609 920 012	Gear Cover	204,00	810	1	1 607 014 171	Carbon-Brush Set	240,00
72	1	1 609 920 400	Safety Guard		815	2	1 604 328 033	Brush Holder	247,00
73	1	1 609 920 426	Safety Guard	1 270,00	840	1	1 609 920 028	Clamping Holder	500,00
73	4	1 609 920 482	Screw	41,00	850	1	1 609 920 940	Set Of Gears	1 000,00
74	2	1 609 920 582	Flange	254,00					
75	1	1 609 920 525	Flap Washer	54,00					
77	1	1 609 920 494	Flap Guard						
77	1	1 609 920 497	Flap Guard	571,00					
78	1	1 609 920 031	Cover	48,00					
79	1	1 609 920 406	Supporting Plate						
79	1	1 609 920 595	Supporting Plate	40,00					
80	2	1 609 920 041	Shoulder Screw	48,00					
81	2	1 609 920 013	Washer	37,00					
82	2	1 609 920 042	Nut	30,00					
83	2	1 610 920 071	Rubber Gasket	31,00					
84	1	1 609 920 792	Handle	602,00					
85	1	1 609 920 018	Grommet	44,00					
86	6	1 609 920 368	Screw	40,00					
87	7	1 609 920 365	Screw	40,00					
88	1	1 609 920 427	Connector Block	31,00					
89	1	1 609 920 026	Terminal Block	410,00					
903	1	1 609 920 204	Armature assembly	2 336,00					

INFORMATION
Wichtiges
Wichtiges
 Technische Zeichnung
 des Ersatzteillagers
 (siehe Seite 2)
 Bitte beachten:
 Teil 10-100 00000
 Teil 200-1000-00000
 Teil 300-1000-00000
 Teil 400-1000-00000
 Teil 500-1000-00000
 Teil 600-1000-00000
 Teil 700-1000-00000
 Teil 800-1000-00000
 Teil 900-1000-00000
 Teil 1000-1000-00000

 Anzeigen verbinden
 (siehe Seite 2)
 Verbinden Sie die
 Anzeigen

1 / 2

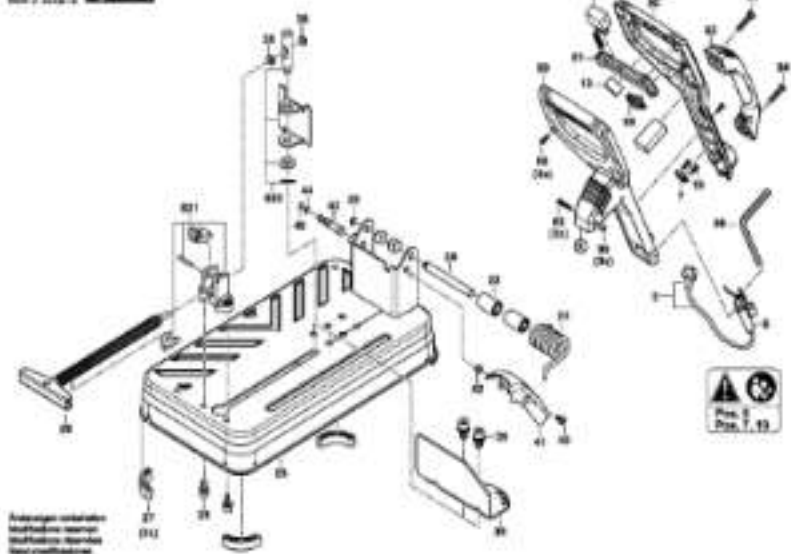
Model: 3 601 M5G 0F3 = 230

Item	Pc	Order no.	Description	LF in EUR	Item	Pc	Order no.	Description	LF in EUR
1	1	1 619 PC1 008	Field	1,470,00	30	2	1 619 PC1 081	Screw	30,00
4	1	1 619 PC1 009	Switch	207,00	40	1	1 619 PC1 082	Screw	30,00
5	1	1 619 PC1 010	Power supply cord		41	1	1 619 PC1 083	Sheet Metal Guard	50,00
6	1	1 619 PC1 013	Power supply cord		42	1	1 619 PC1 084	Nut	30,00
9	1	1 619 PC1 017	Blommet	20,00	43	1	1 619 PC1 085	Shaft	40,00
7	1	1 619 P80 030	Cable Clip	27,00	44	2	1 619 PC1 086	O-Ring	30,00
8	1	1 619 PC1 021	Nameplate		45	1	1 619 PC1 087	Retaining ring	30,00
2	1	1 619 PC1 022	Nameplate		46	1	1 619 PC1 088	Spring	30,00
3	1	1 619 PC1 023	Nameplate		47	1	1 619 PC1 089	Shaft	40,00
10	1	1 619 P60 041	Capacitor	36,00	48	2	1 619 PC1 070	Screw	30,00
12	1	1 619 PC1 034	Ball Bearing	71,00	49	1	1 619 PC1 071	Housing Cover	40,00
16	2	1 619 PC1 040	Screw	30,00	51	4	1 619 PC1 073	Screw	40,00
20	1	1 619 PC1 041	Warning Label		52	2	1 619 PC1 074	Cap	40,00
22	2	1 619 PC1 044	Bushing	30,00	53	1	1 619 PC1 075	Rubber Bushing	40,00
23	1	1 619 PC1 046	Spring	100,00	54	1	1 619 PC1 076	Air Distributor	50,00
24	1	1 619 PC1 048	Connection Pin	100,00	55	2	1 619 PC1 077	Bolt	30,00
25	1	1 619 PC1 047	Retaining ring	30,00	58	1	1 619 PC1 080	Arm	1,830,00
26	1	1 619 PC1 049	Base	1,573,00	59	1	1 619 PC1 081	Ball Bearing	50,00
27	3	1 619 PC1 049	Rubber Cap	30,00	62	1	1 619 PC1 084	O-Ring	30,00
33	2	1 619 PC1 050	Screw	30,00	63	1	1 619 PC1 091	Upper guard	740,00
29	1	1 619 PC1 051	Clamp Bolt	230,00	70	4	1 619 PC1 082	Screw	30,00
30	2	1 619 PC1 050	Washer	30,00	71	1	1 619 PC1 093	Clamping Flange	140,00
31	2	1 619 PC1 052	Split Pin	30,00	73	1	1 619 PC1 095	Clamping Flange	100,00
32	1	1 619 PC1 050	Stop bracket	300,00	74	1	1 619 PC1 096	Washer	30,00

Please observe: Reparing, installing and testing of electro-tools are to be performed professionally. The safety regulations according to IEC, EN, VDE, AFNOR and other regulations of the individual countries are to be observed. Subject to change.

The price list supersedes all previous editions. Prices are subjected to change without any prior notice.

EXTRA
PARTS LIST



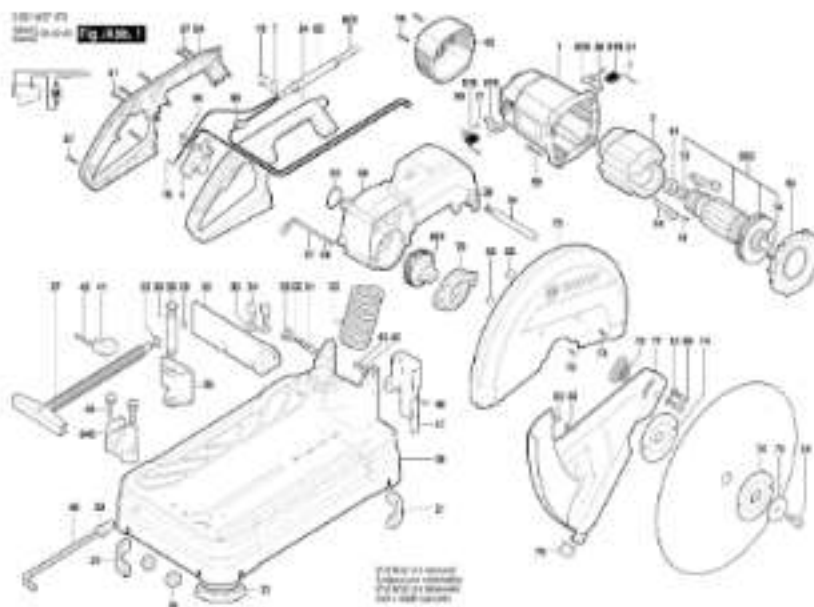
2 / 2

Model: 3 601 M5G 0F3 = 230

Item	Pc	Order no.	Description	LF in EUR	Item	Pc	Order no.	Description	LF in EUR
75	1	1 616 FC1 007	Screw	25,00					
76	1	1 616 FC1 006	Nut	25,00					
77	1	1 616 FC1 009	Lower guard	370,00					
78	1	1 616 FC1 008	Bolt	25,00					
79	2	1 616 FC1 001	Rubber Backing Pad	25,00					
80	1	1 616 FC1 002	Switch Handle	210,00					
81	1	1 616 FC1 003	Switch Button	25,00					
82	3	1 616 FC1 005	Screw	25,00					
84	2	1 616 FC1 008	Screw	25,00					
85	1	1 616 FC1 007	Carrying Handle	54,00					
86	1	1 616 FC1 006	Clamping wrench	25,00					
88	1	1 616 P88 155	Induction Coil	35,00					
89	1	1 616 FC1 011	Switch Handle	210,00					
90	3	1 616 FC1 012	Nut	25,00					
92	5	502 430 004	Screw	25,00					
921	1	1 616 FC1 023	Housing Assembly	450,00					
922	1	1 616 FC1 021	Armature assembly	2370,00					
910	1	1 616 FC1 034	Carbon-Brush Set	257,00					
914	1	1 616 FC1 022	Ball Bearing	112,00					
921	1	1 616 FC1 026	Clamping Support	195,00					
928	1	1 616 PE1 790	Connecting Rod						
955	1	1 616 FC1 024	Gear Shaft	1.032,00					

Please observe: Repairing, modifying and testing of electric tools are to be performed professionally. The safety regulations according to IEC, EN, VDE, AFNOR and other regulations of the individual countries are to be observed. Subject to change.

The price list supersedes all previous editions. Prices are subjected to change without any prior notice.



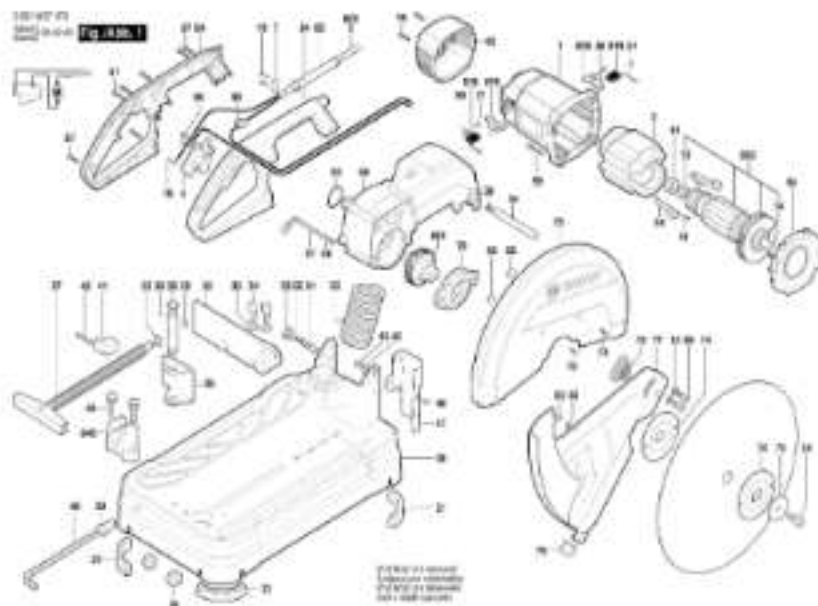
1 / 2

Model: 3 601 M37 1F3 = 230

Item	Pc	Order no.	Description	LF m/HR	Item	Pc	Order no.	Description	LF m/HR
1	1	1 602 603 600	Motor Housing	650,00	46	1	1 602 603 505	Screw	45,00
2	1	1 602 603 137	Field 230V	2 085,00	48	1	1 602 601 564	Nut	38,00
4	1	1 602 603 605	Switch	410,00	47	1	1 602 603 534	Protective Guard	121,00
5	1	1 602 603 535	Power supply cord	692,00					
7	1	1 602 602 151	Cable Clip	40,00	46	1	1 602 603 425	Thread-Forming Screw	40,00
12	1	1 616 703 600	Sealing OOO-GRS	27,00	49	1	1 602 603 502	Hexagon Socket Wrench	119,00
14	1	1 602 603 557	Sealing	528,00	50	1	1 602 603 517	Key Holder	45,00
18	2	1 602 603 544	Screw	48,00	51	1	1 602 603 523	Shaft	30,00
19	8	1 602 603 367	Screw B00-BYN ST	40,00	52	1	1 610 703 010	O-Ring 4,5X1,2	31,00
21	2	1 604 952 016	Spiral Spring	55,00	53	1	1 602 603 534	Cap	45,00
25	2	1 616 703 531	Hex Nut DIN 934-MS-6	30,00	54	1	1 602 603 516	Pinch Shaft	60,00
26	1	1 602 603 363	Gear	2 210,00	55	1	1 602 603 510	Contact strap	348,00
27	4	1 602 603 534	Supporting foot	44,00	56	1	1 602 603 561	Arm	2 250,00
28	1	1 602 603 593	Stop Bracket	593,00	57	1	1 602 603 510	Locking Pin	60,00
33	4	1 602 607 045	Plain Washer	31,00	58	1	1 610 703 344	Compression Spring	39,00
34	5	1 602 603 536	Screw	48,00	59	4	1 616 703 526	Thread-forming cap. Screw	51,00
35	1	1 602 603 508	Clamp Bracket	185,00	60	2	1 602 603 085	Pickup Clip	31,00
36	1	1 602 603 597	Connecting Rod	148,00	61	1	1 602 606 130	Rubber Ring	48,00
37	1	1 602 603 595	Clamp Screw	423,00	62	1	1 602 603 552	End Cap	183,00
38	1	1 602 603 518	Clip	41,00	63	1	1 602 603 085	O-Ring	30,00
39	2	1 602 603 520	Clip	41,00	64	1	1 602 603 504	Air-Deflector Ring	150,00
41	1	1 602 603 578	Clamping Block	385,00	70	1	1 602 603 512	Gear Cover	204,00
42	1	1 616 703 782	Spring Pin ISO 13237-4X35	31,00	72	1	1 602 604 420	Safety Guard	1 270,00
44	2	1 602 603 528	Screw end washer	48,00	73	4	1 602 601 483	Screw	41,00

Please observe: Reparing, modifying and testing of electric tools are to be performed professionally. The safety regulations according to IEC 611, VDE, AFNOR and other regulations of the individual countries are to be observed. Subject to change.

The price list supersedes all previous editions. Prices are subject to change without any prior notice.



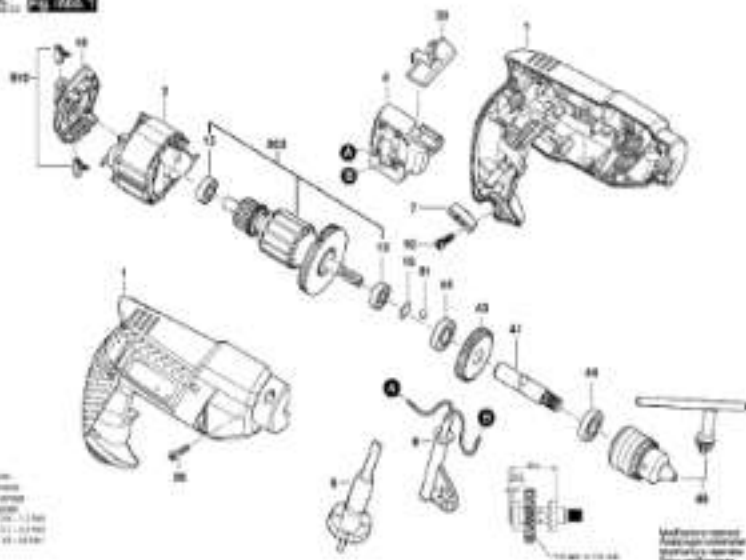
2 / 3

Model: 3 601 M37 1F0 = 230

Item	Pc	Order no.	Description	LF in EUR	Item	Pc	Order no.	Description	LF in EUR
74	2	1 602 902 002	Flange	264,00					
75	1	1 602 902 025	Flap Washer	54,00					
77	1	1 602 902 003	Flap Guard	683,00					
78	1	1 602 902 031	Cover	45,00					
79	1	1 602 902 042	Supporting Plate	45,00					
80	2	1 602 902 061	Shoulder Screw	45,00					
81	2	1 602 902 012	Washer	37,00					
82	2	1 602 902 040	Nut	30,00					
83	2	1 612 902 071	Rubber Gasket	31,00					
84	1	1 602 901 735	Handle	604,00					
85	1	1 602 902 152	Drummet	72,00					
86	5	1 602 902 005	Screw	40,00					
87	7	1 602 902 004	Screw	40,00					
88	1	1 602 902 427	Connection Block	31,00					
892	1	1 602 902 038	Armature assembly 240V	3.284,00					
895	1	1 602 902 062	Power supply cord						
910	1	1 607 214 171	Carbon-Brush Set	345,00					
916	2	1 604 335 083	Brush Holder	247,00					
940	1	1 602 902 022	Clamping Holder	302,00					
955	1	1 602 902 040	Set Of Gears	1.023,00					

Please observe: Repairing, modifying and testing of electro-tools are to be performed professionally. The safety regulations according to IEC 60110-1, VDE 0710-1, AFNOR and other regulations of the individual countries are to be observed. Subject to change.

The price list supersedes all previous editions. Prices are subjected to change without any prior notice.

3 601 AAS SF2
 GBM 350
 Fig. 1/200


1 / 1

Model: 3 601 AAS SF2 = 220

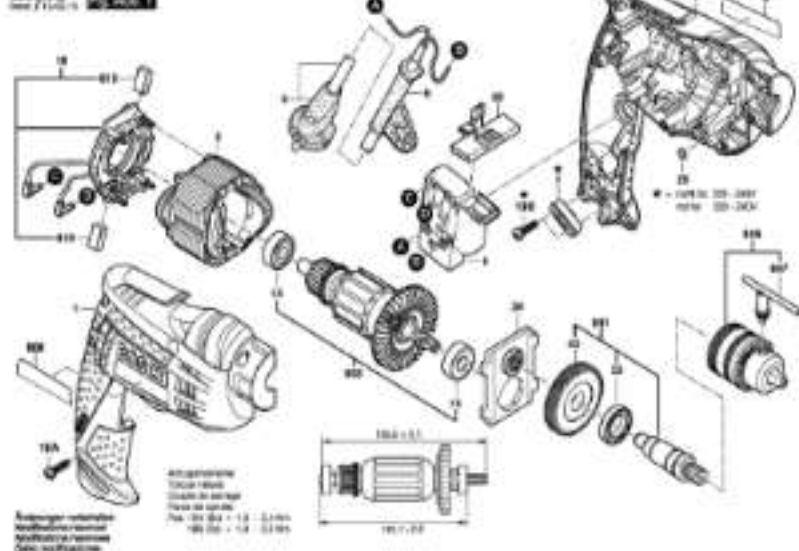
Item	Pc	Order no.	Description	LP in EUR	Item	Pc	Order no.	Description	LP in EUR
1	1	1 616 P20 261	Housing Section	432,00					
2	1	1 616 P20 265	Field	1087,00					
4	1	2 601 200 623	Switch	371,00					
5	1	1 604 450 721	Power supply cord I-ND	118,00					
6	1	2 602 707 226	Drumset Ø6,5 MM	70,00					
7	1	2 601 038 001	Cable Clip	46,00					
13	2	1 616 P10 024	Ball Bearing	41,00					
14	1	2 602 110 016	Pressure Plate	46,00					
16	1	1 616 P20 167	Brush Holder	162,00					
16	2	2 602 490 002	Screw 4X16	30,00					
20	3	1 616 P20 216	Tapping Guide	47,00					
21	1	1 603 230 000	Ball DIN 5401-S G26	66,00					
22	1	1 616 P20 226	Adjusting Slide	31,00					
41	1	1 616 P10 267	Drilling Spindle	226,00					
42	1	1 616 P10 268	Cylindrical Gear	226,00					
44	2	1 616 107 225	Ball Bearing	21,00					
46	1	1 602 671 076	Chuck Ø1,0-10 MM, 3/8"	224,00					
805	1	1 616 P20 267	Armature set	661,00					
810	1	1 616 P20 000	Carbon-Brush Set	66,00					

Please observe: Repairing, modifying and testing of electric tools are to be performed professionally. The safety regulations according to IEC, EN, VDE, AFNOR and other regulations of the individual countries are to be observed. Subject to change.

The price list supersedes all previous editions. Prices are subject to change without any prior notice.

46007196

Rev. 1/2016



1 / 1

Model: 3 601 D77 5F1 = 230

Item	Pc	Order no.	Description	LP in EUR	Item	Pc	Order no.	Description	LP in EUR
1	1	2 600 100 076	Motor Housing BLUE	691,00					
2	1	2 604 220 718	Field 230V	393,00					
4	1	2 601 200 823	Switch	377,00					
5	1	1 604 450 721	Power supply cord IHD	118,00					
6	1	2 600 707 026	Bit/Bitset Ø6.5 mm	70,00					
7	1	2 601 038 001	Cable Clip	46,00					
13	1	2 600 110 163	Ball Bearing 6X22X7	46,00					
14	1	2 600 110 491	Ball Bearing	41,00					
16	1	2 600 100 308	Brush Plate	303,00					
16	10	2 600 490 032	Screw 4X16	30,00					
20	1	2 600 100 016	Reversing Switch	139,00					
33	1	2 600 110 716	Ball Bearing	303,00					
34	1	2 600 100 138	Bearing Bracket	320,00					
42	1	2 600 110 706	Cylindrical Gear	389,00					
802	1	1 618 P61 136	Armature set	1 235,00					
810	1	2 610 591 290	Carbon-Brush Set	48,00					
841	1	2 600 100 407	Spindle Assembly	602,00					
846	1	2 600 871 076	Chuck	247,00					
847	1	2 601 860 007	Chuck Wrench B02	94,00					

1 601 ABO 001

1 601 ABO 001

1 601 ABO 001

1 601 ABO 001

1 601 ABO 001

1 601 ABO 001

1 601 ABO 001

1 601 ABO 001

1 601 ABO 001

1 601 ABO 001

1 601 ABO 001

1 601 ABO 001

1 601 ABO 001

1 601 ABO 001

1 601 ABO 001

1 601 ABO 001

1 601 ABO 001

1 601 ABO 001

1 601 ABO 001

1 601 ABO 001

1 601 ABO 001

1 601 ABO 001

1 601 ABO 001

1 601 ABO 001

1 601 ABO 001

1 601 ABO 001

1 601 ABO 001

1 601 ABO 001

1 601 ABO 001

1 601 ABO 001

1 601 ABO 001

1 601 ABO 001

1 601 ABO 001

1 601 ABO 001

1 601 ABO 001

1 601 ABO 001

1 601 ABO 001

1 601 ABO 001

1 601 ABO 001

1 601 ABO 001

1 601 ABO 001

1 601 ABO 001

1 601 ABO 001

1 601 ABO 001

1 601 ABO 001

1 601 ABO 001

1 601 ABO 001

1 601 ABO 001

1 601 ABO 001

1 601 ABO 001

1 601 ABO 001

1 601 ABO 001

1 601 ABO 001

1 601 ABO 001

1 601 ABO 001

1 601 ABO 001

1 601 ABO 001

1 601 ABO 001

1 601 ABO 001

1 601 ABO 001

1 601 ABO 001

1 601 ABO 001

1 601 ABO 001

1 601 ABO 001

1 601 ABO 001

1 601 ABO 001

1 601 ABO 001

1 601 ABO 001

1 601 ABO 001

1 601 ABO 001

1 601 ABO 001

1 601 ABO 001

1 601 ABO 001

1 601 ABO 001

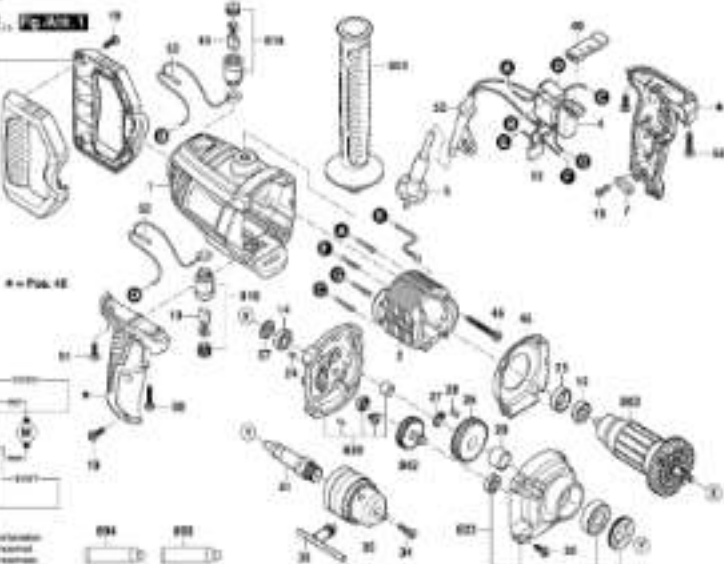
1 601 ABO 001

1 601 ABO 001

1 601 ABO 001

1 601 ABO 001

1 601 ABO 001



Accessories not shown
Modifications reserved
Modifications reserved
Date modification

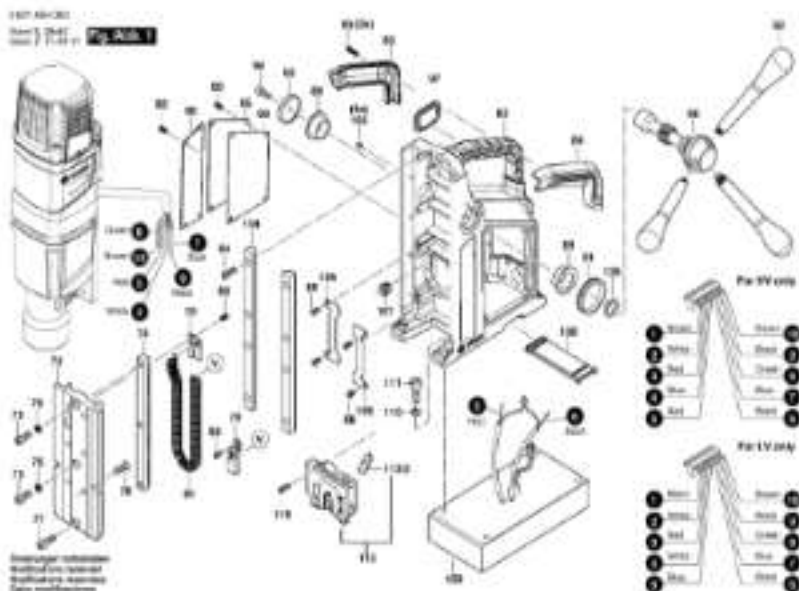
1 / 1

Model: 3 601 ABO 0F1 - 220

Item	Pc	Order no.	Description	LF in EUR	Item	Pc	Order no.	Description	LF in EUR
1	1	1 610 P47 014	Motor Housing	512,00	48	1	1 610 P47 043	Handle	263,00
2	1	1 610 P47 015	Field 220-240V	1,67,00	49	1	1 610 P47 044	Lever	63,00
4	1	1 610 P47 016	On-Off Switch	685,00	50	2	1 610 P47 045	Tapping Screw	43,00
5	1	1 610 P55 033	Power supply cord		51	2	1 610 P47 046	Tapping Screw	43,00
7	1	1 610 P47 021	Fastening Clamps	43,00	52	1	1 610 P47 047	Suppressor Box	127,00
10	1	1 610 P47 027	Carbon-Brush Set	126,00	53	1	1 610 P47 048	Grommet	142,00
12	1	1 610 P47 028	Suppression Capacitor	162,00	54	1	1 610 P47 049	Rotary Handle	608,00
13	1	1 610 P47 029	Ball Bearing 6272C	283,00	55	1	1 610 P47 050	Auxiliary Handle	166,00
14	1	1 610 P47 030	Ball Bearing 608RS	285,00	56	1	1 610 P47 051	Armature 220-240V	2.324,00
15	10	1 610 P47 031	Tapping Screws	95,00	57	1	1 610 P47 052	Brush Hood	273,00
24	1	1 610 P47 032	Rubber Stop	85,00	58	1	1 610 P47 053	Gear Housing	1.107,00
25	1	1 610 P47 033	Sealing Sleeve	35,00	59	1	1 610 P47 054	Sealing Flange	548,00
26	1	1 610 P47 034	Cylindrical Gear	442,00	60	1	1 610 P47 055	Pinion Shaft	538,00
27	1	1 610 P47 035	Retaining Ring	31,00	61	1	1 610 430 020	Grease Tube 225 ML	1.810,00
28	1	1 610 P47 036	Flat Key	31,00	62	1	1 605 430 003	Grease Tube 225 ML	1.830,00
29	1	1 610 P47 037	Subcut Gasket	283,00					
30	4	1 610 P47 038	Screws	117,00					
31	1	1 610 P47 039	Drilling Bit	484,00					
32	1	1 610 P43 004	Chuck	1.231,00					
34	1	1 610 P43 005	Countersunk-Head Screw	43,00					
35	1	1 610 P43 054	Chuck Wrench	90,00					
37	1	1 610 P47 040	Seal Ring	83,00					
40	1	1 610 P47 041	Air-Deflector Ring	191,00					
46	2	1 610 P47 042	Screws	83,00					

Please observe: Repairing, modifying and testing of electric tools are to be performed professionally. The safety regulations according to IEC, EN, VDE, AFNOR and other regulations of the individual countries are to be observed. Subject to change.

The price list supersedes all previous editions. Prices are subject to change without any prior notice.

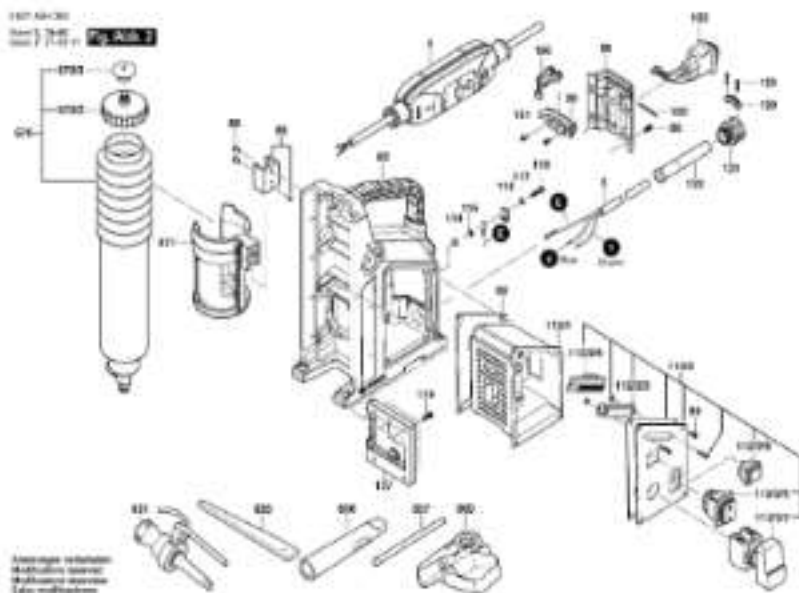


Model: 3 601 AB4 0F0 = 230

Item	Pc	Order no.	Description	LF in EUR	Item	Pc	Order no.	Description	LF in EUR
1	1	1 619 P63 951	Motor Housing	2 140,00	40	1	1 619 P64 142	Connector Cable	70,00
2	1	1 619 P64 201	Field assembly 220V	3 601,00	41	1	1 619 P63 997	Rubber Ring	70,00
3	1	1 619 P63 999	Armature assembly 220V	4 780,00	42	1	1 619 P63 971	Air-Deflector Ring	90,00
4	1	1 619 P64 797	Power supply cord IN	6 711,00	43	2	1 619 P63 972	Tapping Screw	70,00
5	1	1 619 P64 141	Nameplate		44	1	1 619 P64 076	Flat Bear Ring	94,00
6	1	1 619 P64 001	Manufacturer's nameplate		45	1	1 619 P63 992	Oil Separator	1 190,00
16	2	1 619 P63 993	Brush Holder	364,00	46	1	1 619 P63 993	Straight Pin	70,00
22	1	1 619 P63 702	Housing Cover	714,00	50	4	1 619 P63 942	Tapping Screw	70,00
23	1	1 619 P63 703	Protective Cover	80,00	52	1	1 619 P63 993	Retaining Ring	70,00
24	1	1 619 P63 701	Cap	76,00	53	1	1 619 P63 993	Toothed Gear	1 430,00
25	1	1 619 P63 704	Cap	70,00	54	1	1 619 P63 991	Toothed Gear	1 430,00
27	4	1 619 P63 706	Tapping Screw	36,00	55	1	1 619 P63 992	Toothed rack	1 300,00
28	1	1 619 P64 074	Printed Circuit Board	5 020,00	60	1	1 619 P63 946	Parallel Key	70,00
29	1	1 619 P64 083	Fastening Clamp	89,00	61	1	1 619 P63 994	Retaining ring	70,00
30	1	1 619 P63 709	Indicator Light	70,00	61	1	1 619 P63 996	Toothed Gear	1 430,00
31	2	1 619 P63 994	Tapping Screws	36,00	65	1	1 619 P63 940	Parallel Key	90,00
32	1	1 619 P63 992	Stop Block	70,00	66	1	1 619 P63 930	Drilling Spindle	1 714,00
33	1	1 619 P63 994	Spring	69,00	69	1	1 619 P63 943	O-Ring	70,00
34	1	1 619 P63 992	Potentiometer	176,00	70	1	1 619 P63 944	Shift-Lever Knob	240,00
35	1	1 619 P63 997	Clamping bracket	36,00	71	1	1 619 P63 945	Spring	70,00
36	1	1 619 P63 993	Handwheel	304,00	72	1	1 619 P63 946	Block	70,00
37	1	1 619 P63 999	Connector	321,00	73	1	1 619 P63 109	Guide Block	3 000,00
38	1	1 619 P63 991	Rear Plate	304,00	74	1	1 619 P63 711	Toothed rack	1 140,00
39	13	1 619 P63 975	Tapping Screw	70,00	75	2	1 619 P63 705	Screw	70,00

Please observe: Repairing, modifying and testing of electric tools are to be performed by a professional. The safety regulations according to IEC 60335, IEC 60745 and other regulations of the individual countries are to be observed. Subject to change.

The price list supersedes all previous editions. Prices are subject to change without any prior notice.

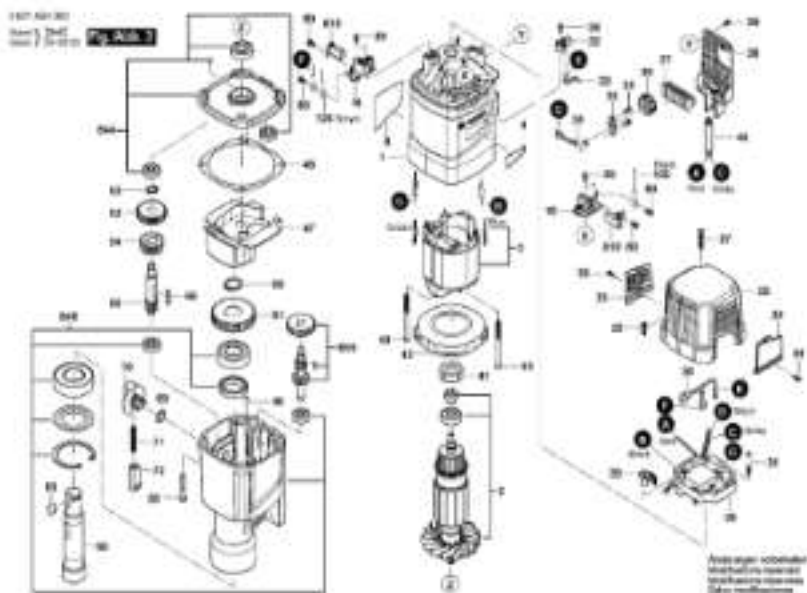


Model: 3 601 AB4 0F0 = 230

Item	Pc	Order no.	Description	LF in EUR	Item	Pc	Order no.	Description	LF in EUR
76	2	1 619 P63 707	Washer	70,00	101	2	1 619 P63 750	Screw	70,00
77	1	1 619 P63 706	Screw	70,00	102	1	1 619 P63 755	On-Off Switch	714,00
78	6	1 619 P63 710	Countersunk-Head Screw	70,00	103	1	1 619 P64 104	Warning Label	
79	2	1 619 P63 712	Holding Plate	144,00	104	2	1 619 P63 715	Guide Bar	300,00
80	22	1 619 P63 713	Screw	70,00	105	4	1 619 P63 720	Headless Screw	70,00
81	1	1 619 P63 714	Spring Sleeve	70,00	106	2	1 619 P63 725	Stop Plate	60,00
82	1	1 619 P63 745	Frame	7 138,00	107	1	1 619 P63 734	Protection Sleeve	70,00
83	1	1 619 P63 716	Carrying Handle	160,00	108	1	1 619 P64 207	Protection Sleeve	60,00
84	1	1 619 P63 717	Carrying Handle	160,00	109	1	1 619 P63 730	Magnetic Base	12 110,00
85	8	1 619 P63 718	Tapping Socket	70,00	110	4	1 619 P63 735	Spring Washer	70,00
86	1	1 619 P63 751	Lifting Bracket	114,00	111	4	1 619 P63 740	Sorter	70,00
88	5	1 619 P63 728	Countersunk-Head Screw	70,00	112	1	1 619 P64 118	Control Unit	12 775,00
89	2	1 619 P63 721	Flange Bushing	60,00	112	1	1 619 P64 119	Switch Unit	9 348,00
90	1	1 619 P63 746	Shaft Coupling	2 140,00	112	1	1 619 P64 116	Cover	70,00
91	1	1 619 P64 083	Scale Ring	70,00	112	1	1 619 P64 117	Indicator Lamp	2 278,00
92	5	1 619 P63 747	Handle	970,00	112	1	1 619 P63 823	Reversing Switch	714,00
93	1	1 619 P63 722	Cover Disc	60,00	112	1	1 619 P63 824	On-Off Switch	714,00
94	9	1 619 P63 719	Screw	70,00	112	1	1 619 P63 825	Motor Protection Switch	1 140,00
95	1	1 619 P67 000	Cover Plate	270,00	113	1	1 619 P64 000	Laser Unit	1 714,00
96	1	1 619 P63 723	Cover Plate	147,00	113	1	1 619 P63 736	Laser	1 388,00
97	1	1 619 P64 394	Cover Plate	60,00	114	1	1 619 P64 102	Hex Nut	70,00
98	1	1 619 P63 708	Rear Panel	287,00	115	1	1 619 P64 103	Washer	70,00
99	1	1 619 P63 757	Protective Cover	144,00	116	1	1 619 P63 749	Tag	70,00
100	1	1 619 P63 758	Light Unit	70,00	117	1	1 619 P63 732	Toothed lock washer	70,00

Please observe: Repairing, modifying and testing of electric tools are to be performed professionally. The safety regulations according to IEC 61110, IEC 61014 and other regulations of the individual countries are to be observed. Subject to change.

The price list supersedes all previous editions. Prices are subject to change without any prior notice.



2 / 3

Model: 3 601 AB4 0F0 = 230

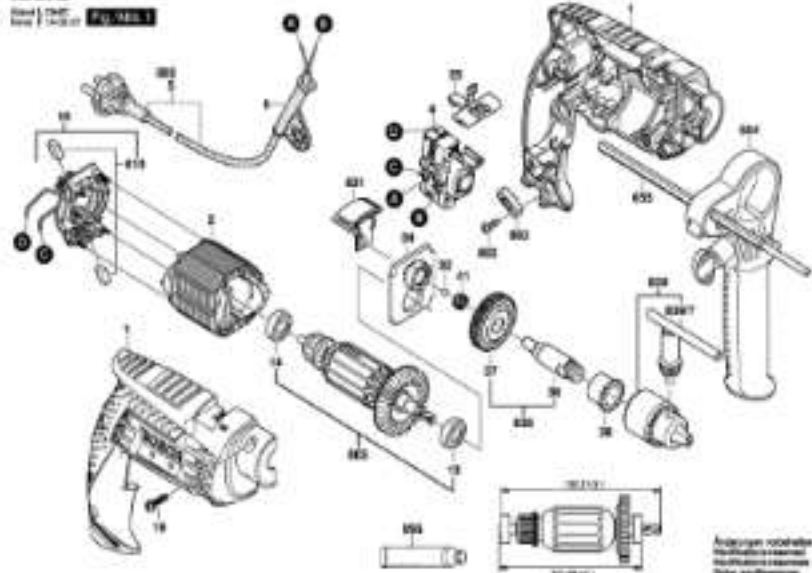
Item	Pc	Order no.	Description	LF in INR	Item	Pc	Order no.	Description	LF in INR
116	1	1 616 P63 761	Screw	70,00					
116	2	1 616 P63 734	Screw	70,00					
120	1	1 616 P64 039	Cable Clip	70,00					
121	1	1 616 P64 100	Cable Holder	70,00					
122	1	1 616 P64 101	Grommet	70,00					
123	2	1 616 P64 030	Tapping Screw	85,00					
124	1	1 616 P63 878	Round copper wire	70,00					
125	1	1 616 P64 047	Round copper wire BLACK	85,00					
126	1	1 616 P64 330	O-Ring	166,00					
127	1	1 616 P67 005	Cover Plate	227,00					
201	1	1 616 P63 771	Milling machine arbor	5 685,00					
202	1	1 616 P63 775	Drill	247,00					
205	1	1 616 P63 777	Reduction Sleeve	542,00					
207	1	1 616 P63 778	Positioning Pin	289,00					
208	1	1 616 P63 779	Safety rope	882,00					
210	1	1 616 P63 783	Coolest Tank	1 790,00					
2100	1	1 616 P63 787	Tank Cover	166,00					
2103	1	1 616 P63 786	End Plug	70,00					
211	1	1 616 P64 127	Mounting Bracket	777,00					
212	1	1 616 P64 026	Carbon-Brush Set	487,00					
244	1	1 616 P64 300	Intermediate Flange	1 433,00					
245	1	1 616 P64 301	Gear Housing	2 030,00					
262	1	1 616 P64 304	Toothed rack	2 140,00					

Please observe: Repairing, modifying and using of power tools are to be performed professionally. The safety regulations according to IEC, EN, VDE, AFNOR and other regulations of the individual countries are to be observed. Subject to change.

The price list supersedes all previous editions. Prices are subjected to change without any prior notice.

1 617 929 100

Bosch Power Tools



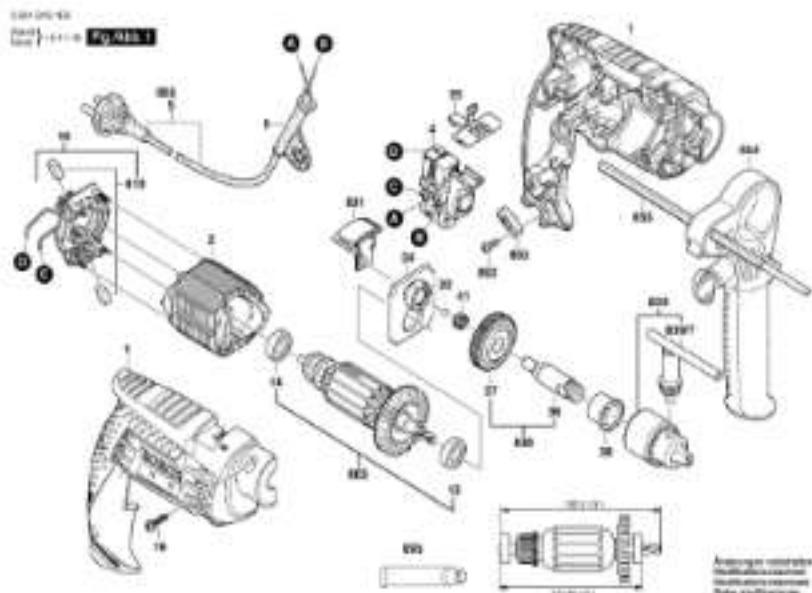
1 / 1

Model: 3 601 B16 1FA = 230

Item	Pc	Order no.	Description	LF in EUR	Item	Pc	Order no.	Description	LF in EUR
1	1	2 602 100 427	Motor Housing	261,00	333	1	1 602 971 176	Chuck Ø1,5-10 MM, 3/8"	224,00
2	1	2 604 220 716	Field 230V	391,00	333P	1	2 607 490 007	Chuck Wrench 802	34,00
4	1	2 601 200 823	Switch	377,00	602	2	2 603 490 022	Screw 4X16	30,00
5	1	1 604 450 721	Power supply cord IHD	118,00	601	1	2 601 026 001	Cable Clip	40,00
6	1	2 602 107 029	Blommet Ø6,5 MM	70,00	605	1	2 602 430 003	Grease Tube ALBIDA	1,910,00
12	1	2 602 110 183	Ball Bearing 6X22X7	40,00					
14	1	2 602 110 401	Ball Bearing	41,00					
16	1	2 609 120 375	Brush Plate	291,00					
18	7	2 602 400 022	Screw 4X16	30,00					
25	1	2 606 100 590	Lever	47,00					
32	1	1 602 220 010	Ball DIN 5401-S, DV6811-0T	30,00					
34	1	2 602 100 073	Sealing Bracket	107,00					
36	1	2 606 110 442	Spindle	158,00					
37	1	2 606 320 030	Conversion Gear	132,00					
38	1	2 602 110 442	Sintered-Metal Bushing	47,00					
41	1	2 604 810 008	Compression Spring	51,00					
604	1	2 602 028 024	Auxiliary Handle	93,00					
602	1	2 602 901 008	Depth-Gauge	221,00					
605	1	2 606 028 014	Depth-Gauge	36,00					
603	1	2 602 120 212	Armature 220-240V	690,00					
606	1	2 602 134 031	Label						
610	1	2 610 301 200	Carbon-Brush Set	40,00					
621	1	2 610 100 417	Change-Over Switch						
625	1	2 609 100 122	Drilling Guide	300,00					

Please observe: Repairing, modifying and testing of electric tools are to be performed professionally. The safety regulations according to IEC, EN, VDE, AFNOR and other regulations of the individual countries are to be observed. Subject to change.

The price list supersedes all previous editions. Prices are subject to change without any prior notice.



1 / 1

Model: 3 601 B16 1F8 = 230 V IN

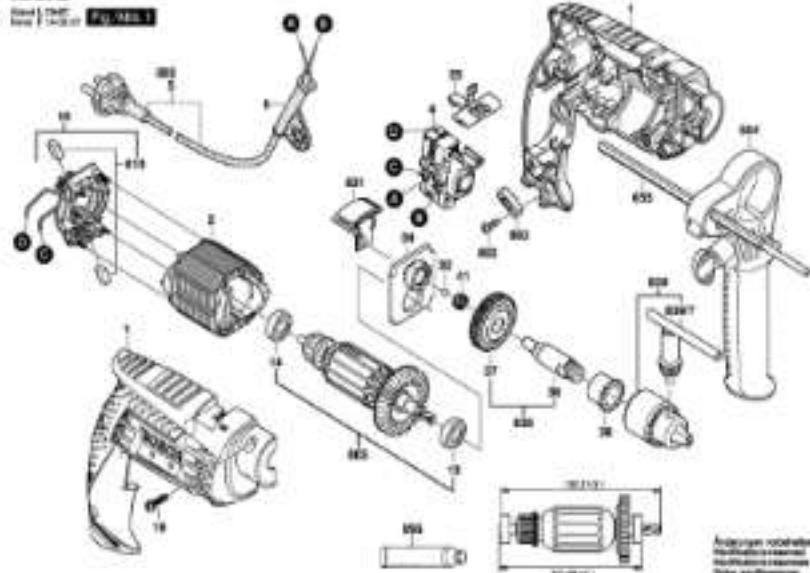
Item	Pc	Order no.	Description	LF in EUR	Item	Pc	Order no.	Description	LF in EUR
1	1	2 601 100 427	Motor Housing	261,00	321	2	2 603 430 100	Screw 4X16	30,00
2	1	2 604 220 718	Field 230V	291,00	323	1	2 601 026 001	Cable Clip	48,00
4	1	2 607 200 823	Switch	277,00	325	1	2 605 430 103	Grease Tube ALBIDA	1.810,00
5	1	1 504 450 721	Power supply cord IHD	118,00					
6	1	2 600 107 029	Blommet Ø6,5 MM	70,00					
12	1	2 600 110 183	Ball Bearing 6X22X7	40,00					
14	1	2 600 110 401	Ball Bearing	41,00					
16	1	2 609 120 317	Brush Plate	232,00					
18	7	2 603 400 000	Screw 4X16	30,00					
25	1	2 606 100 590	Lever	47,00					
32	1	1 603 230 010	Ball DIN 540-H-5,5VSH-H-0T	30,00					
34	1	2 600 110 446	Bearing Bracket	111,00					
35	1	2 606 110 441	Drilling Spindle	294,00					
37	1	2 606 320 030	Conversion Gear	132,00					
38	1	2 600 110 442	Sintered-Metal Bushing	47,00					
41	1	2 604 810 008	Compression Spring	51,00					
42A	1	2 600 028 024	Auxiliary Handle	93,00					
42B	1	2 600 008 515	Depth-Gauge	24,00					
43	1	2 606 120 232	Armature 220-240V	229,00					
43D	1	2 610 301 230	Carbon-Brush Set	46,00					
43E	1	2 600 100 417	Indexing Disk						
43F	1	2 606 180 103	Drilling Spindle	682,00					
43G	1	2 600 871 078	Chuck	247,00					
43H?	1	2 607 820 007	Chuck Wrench 6/8	94,00					

Please observe: Repairing, modifying and testing of electric tools are to be performed professionally. The safety regulations according to IEC, EN, VDE, AFNOR and other regulations of the individual countries are to be observed. Subject to change.

The price list supersedes all previous editions. Prices are subject to change without any prior notice.

3 601 B10 1F4

Bosch Power Tools


 Änderungen vorbehalten
 Modifikationen vorbehalten
 Nachdruck ist ausdrücklich
 untersagt

1 / 1

Model: 3 601 B10 1F4 = 230

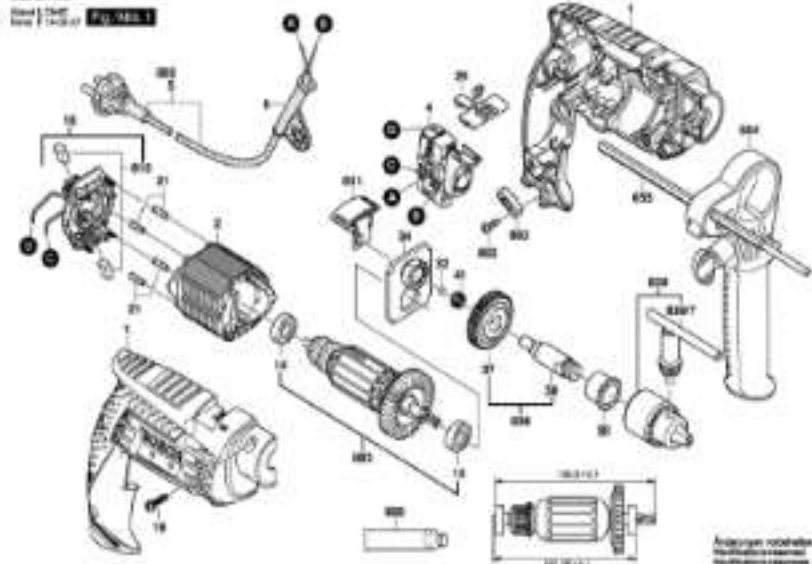
Item	Pc	Order no.	Description	LF in EUR	Item	Pc	Order no.	Description	LF in EUR
1	1	2 905 100 427	Motor Housing	261,00	323	1	2 901 026 001	Case Clip	48,00
2	1	2 904 220 718	Field 230V	291,00	325	1	2 905 430 003	Grease Tube ALBIDA	1 510,00
3	1	2 907 200 823	Switch	277,00					
4	1	1 904 450 721	Power supply cord I-ND	118,00					
5	1	2 900 107 029	Bit/Bit Ø6.5 MM	70,00					
12	1	2 900 110 183	Ball Bearing 6X22X7	40,00					
14	1	2 900 110 491	Ball Bearing	41,00					
16	1	2 909 120 317	Brush Plate	232,00					
18	7	2 903 400 000	Screw 4X16	30,00					
25	1	2 906 100 590	Lever	47,00					
30	1	1 903 230 010	Ball DIN 940-H-5.0V8H-H-0T	30,00					
34	1	2 900 100 073	Sealing Bracket	107,00					
36	1	2 906 110 440	Spindle	158,00					
37	1	2 906 320 030	Conversion Gear	132,00					
38	1	2 900 110 442	Sintered-Metal Bushing	47,00					
41	1	2 904 810 000	Compression Spring	52,00					
508	1	2 903 001 000	Depth-Gauge	322,00					
505	1	2 900 120 232	Armature 220-240V	580,00					
610	1	2 910 301 040	Carbon-Brush Set	40,00					
621	1	2 910 100 417	Change-Over Switch						
636	1	2 910 100 122	Drilling Bit	300,00					
639	1	1 908 271 070	Chuck Ø10-10 MM, 3/8"	204,00					
6397	1	2 907 900 007	Chuck Wrench 6/8	94,00					
692	2	2 903 400 032	Screw 4X16	30,00					

Please observe: Repairing, modifying and testing of electric tools are to be performed by a professional. The safety regulations according to IEC, EN, VDE, AFNOR and other regulations of the individual countries are to be observed. Subject to change.

The price list supersedes all previous editions. Prices are subject to change without any prior notice.

3 601 B17 1F3

Bosch Power Tools



1 / 1

Model: 3 601 B17 1F3 = 230

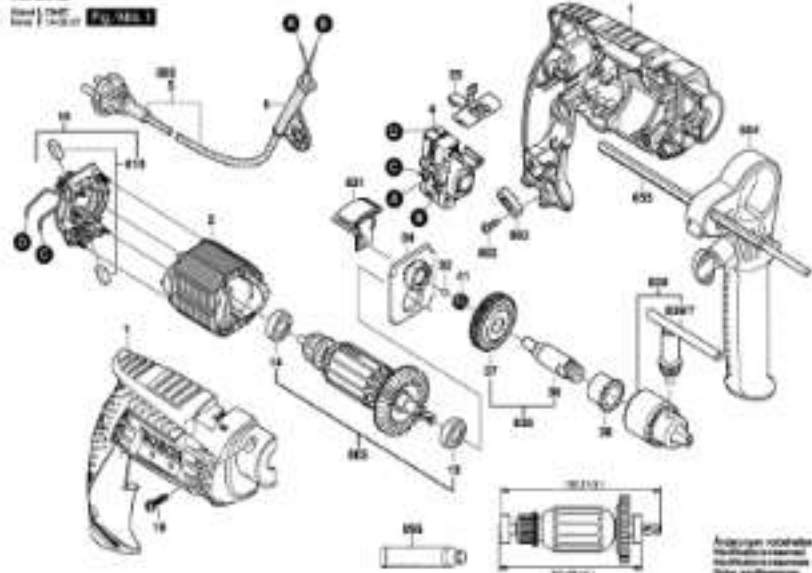
Item	Pc	Order no.	Description	LF in EUR	Item	Pc	Order no.	Description	LF in EUR
1	1	2 601 100 502	Housing Section -	677,00	3307	1	2 607 200 307	Chuck Wrench 30Q	54,00
2	1	2 604 220 716	Field 230V	393,00	332	2	2 603 490 523	Screw 4X16	30,00
4	1	2 607 200 823	Switch -	377,00	333	1	2 601 035 001	Cable Clip -	45,00
5	1	1 904 450 721	Power supply cord I-ND	118,00					
6	1	2 600 107 059	Bitmetal Ø6.5 MM	70,00					
12	1	2 600 110 183	Ball Bearing 6X22X7	45,00					
14	1	2 600 110 491	Ball Bearing -	41,00					
16	1	2 609 100 317	Brush Plate -	232,00					
18	3	2 603 400 002	Screw 4X16	30,00					
21	4	2 600 400 021	Shrinkable Tube	31,00					
25	1	2 609 100 590	Lever	47,00					
28	1	1 203 230 010	Ball DIN 5401-5 2MM-H-2T	30,00					
34	1	2 609 169 073	Bearing Bracket -	107,00					
36	1	2 600 110 441	Drilling Spindle	294,00					
37	1	2 608 200 380	Conversion Gear	130,00					
38	1	2 609 110 442	Shielded Metal Blushing -	47,00					
41	1	2 604 618 038	Compression Spring -	62,00					
54	1	2 602 025 094	Auxiliary Handle	183,00					
66	1	2 603 001 028	Depth-Gauge -	222,00					
80	1	2 600 100 032	Armature 230-240V	680,00					
810	1	2 610 301 290	Carbon-Brush Set	45,00					
821	1	2 609 100 417	Change-Over Switch -						
826	1	2 600 160 103	Drilling Spindle	662,00					
826	1	2 600 571 078	Chuck -	247,00					

Please observe: Repairing, modifying and testing of electric tools are to be performed professionally. The safety regulations according to IEC, EN, VDE, AFNOR and other regulations of the individual countries are to be observed. Subject to change.

The price list supersedes all previous editions. Prices are subject to change without any prior notice.

3 601 B16 1F6

Bosch Power Tools



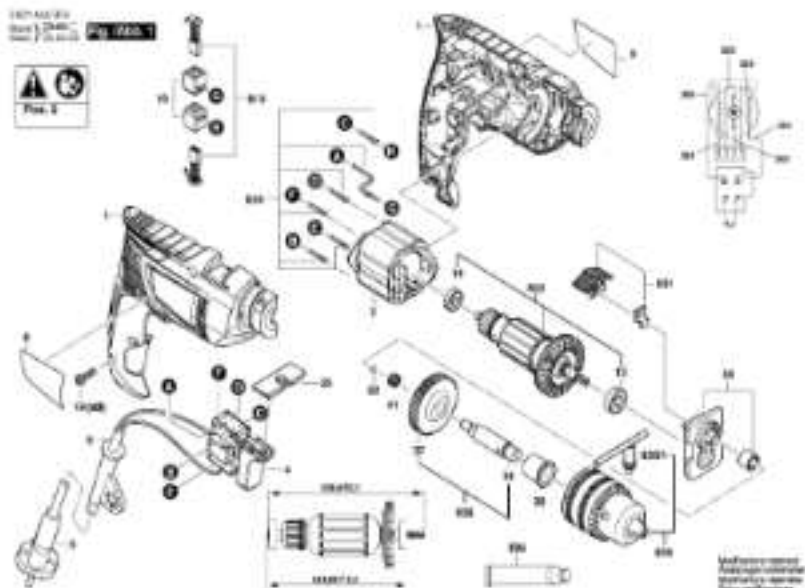
1 / 1

Model: 3 601 B16 1F6 = 230

Item	Pc	Order no.	Description	LF in EUR	Item	Pc	Order no.	Description	LF in EUR
1	1	2 606 100 427	Motor Housing	268,00	323	1	2 601 026 001	Case Clip	48,00
2	1	2 604 220 716	Field 230V	393,00					
4	1	2 607 200 823	Switch	377,00					
5	1	1 604 450 721	Power supply cord IHD	118,00					
6	1	2 600 107 026	Bitmet Ø6.5 MM	70,00					
12	1	2 600 110 183	Ball Bearing 6X22X7	40,00					
14	1	2 600 110 491	Ball Bearing	41,00					
16	1	2 606 100 317	Brush Plate	232,00					
18	7	2 603 400 000	Screw 4X16	30,00					
25	1	2 606 100 590	Lever	47,00					
30	1	1 603 230 010	Ball DIN 940-H-5.0VSH-H-0T	30,00					
34	1	2 600 100 073	Sealing Bracket	107,00					
36	1	2 606 110 440	Spindle	158,00					
37	1	2 606 320 030	Conversion Gear	132,00					
38	1	2 600 110 442	Sintered-Metal Bushing	47,00					
41	1	2 604 810 000	Compression Spring	52,00					
608	1	2 603 001 000	Depth-Gauge	322,00					
609	1	2 600 100 230	Armature 220-240V	580,00					
610	1	2 610 301 040	Carbon-Brush Set	40,00					
621	1	2 600 100 417	Change-Over Switch						
636	1	2 600 100 100	Drilling Bit	300,00					
639	1	1 608 271 070	Chuck Ø10-10 MM, 3/8"	204,00					
6397	1	2 607 900 007	Chuck Wrench 6/16	54,00					
662	2	2 600 400 030	Screw 4X16	30,00					

Please observe: Repairing, modifying and testing of electric tools are to be performed professionally. The safety regulations according to IEC, EN, VDE, AFNOR and other regulations of the individual countries are to be observed. Subject to change.

The price list supersedes all previous editions. Prices are subject to change without any prior notice.



Model: 3 601 AAO 3F0 = 230

Item	Pc	Order no.	Description	LF in EUR	Item	Pc	Order no.	Description	LF in EUR
1	1	1 616 210 000	Motor Housing	220,00	328	1	1 600 402 UH4	Drilling Spindle	210,00
2	1	1 616 810 004	Field 230-230 V	330,00	339	1	2 605 671 078	Chuck	347,00
4	1	1 607 200 004	Switch	270,00	339H	1	2 607 600 007	Chuck Wrench BGG	34,00
5	1	1 604 450 721	Power supply cord IHD	110,00	340	1	3 605 430 003	Grease Type ALSICA	1 610,00
6	1	2 600 707 009	Strommel Ø6,5 mm	70,00					
8	1	1 616 310 000	Nameplate						
9	1	1 616 310 000	Manufacturer's nameplate						
12	1	2 608 110 183	Ball Bearing 6022X7	48,00					
14	1	2 608 110 491	Ball Bearing	41,00					
16	2	1 616 304 306	Brush Holder	90,00					
18	3	2 600 460 022	Screw 4x16	30,00					
20	1	1 616 310 004	Reversing Switch	37,00					
32	1	1 603 230 010	Bit DIN 5401-S 5x6xH1-BT	30,00					
34	1	1 600 402 UH3	Bearing Bracket	337,00					
36	1	1 616 310 006	Drilling Spindle	114,00					
37	1	2 608 320 092	Convershin Gear	132,00					
38	1	1 616 310 010	Slotted Metal Bushing	30,00					
41	1	2 604 616 006	Compression Spring	50,00					
50H	1	2 603 001 008	Depth Gauge	222,00					
602	1	2 600 100 602	Auxiliary Handle	601,00					
603	1	1 604 110 014	Armature	680,00					
610	1	2 610 301 200	Carbon Brush Set	48,00					
628	1	1 600 402 UH6	Connecting Cable	100,00					
631	1	1 600 402 UH4	Charge-Over Switch	40,00					

Please observe: Repairing, modifying and testing of electric tools are to be performed professionally. The safety regulations according to IEC, EN, VDE, AFNOR and other regulations of the individual countries are to be observed. Subject to change.

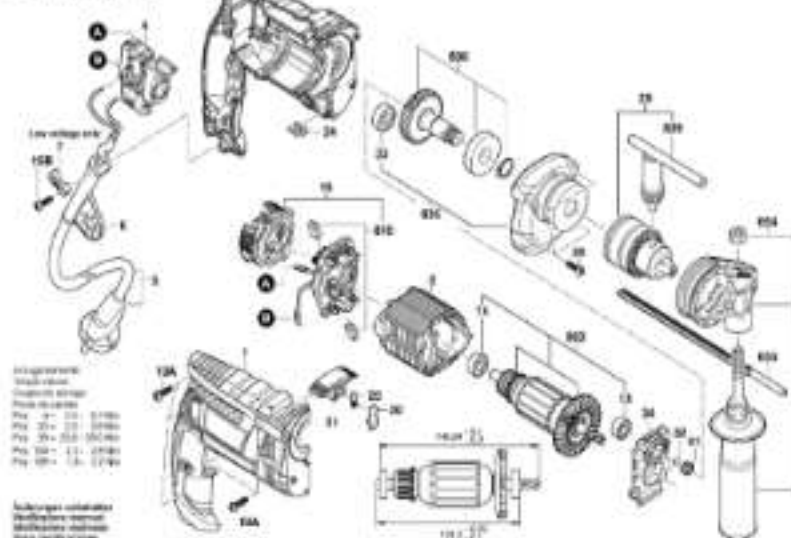
The price list supersedes all previous editions. Prices are subject to change without any prior notice.

3 601 B2S 1F0

3 601 B2S 1F0

3 601 B2S 1F0

DETAIL 1



Accessories available
Check the internet
Accessories available
Check the internet
Accessories available
Check the internet

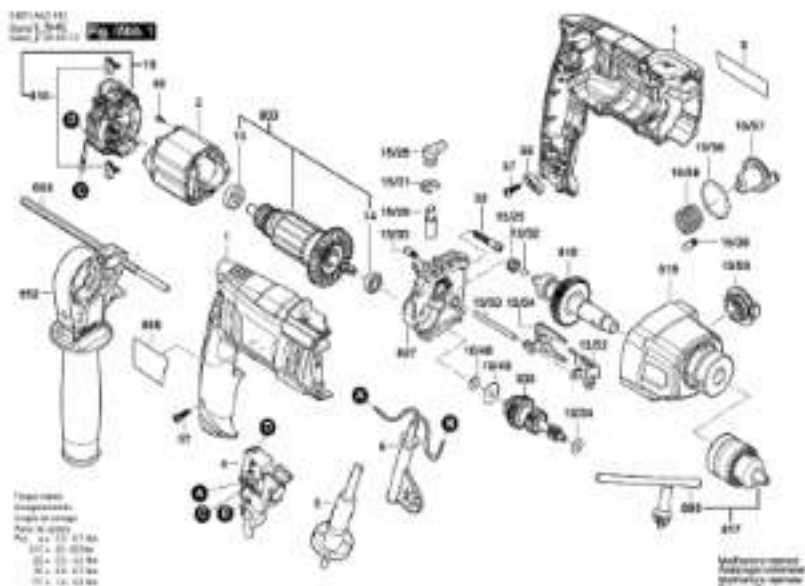
1 / 1

Model: 3 601 B2S 1F0 = 230

Item	Pc	Order no.	Description	LF in EUR	Item	Pc	Order no.	Description	LF in EUR
1	1	2 600 100 731	Housing	120,00	826	1	2 600 100 895	Gear Housing	60,00
4	1	1 607 200 312	Switch	947,00	828	1	2 600 100 898	Spindle Assembly	342,00
5	1	1 604 400 731	Power supply cord IHD		829	1	2 607 200 007	Chuck Wrench G02	34,00
6	1	2 600 707 040	Grommet Ø6.5 MM	70,00					
7	1	1 611 525 035	Cable Clip	45,00					
12	1	2 600 110 183	Ball Bearing BK22007	45,00					
14	1	2 600 110 401	Ball Bearing	41,00					
16	1	2 600 100 400	Brush Plate	500,00					
18	7	2 600 400 000	Screw 4X16	30,00					
20	4	2 600 400 000	Screw 4X16	30,00					
24	1	2 600 110 507	Oil	48,00					
26	1	2 600 600 006	Ratchet Cap	60,00					
30	1	2 600 110 512	Pressure Plate	100,00					
31	1	2 600 100 728	Shift Lever	140,00					
32	1	1 603 230 010	Ball DIN 5401-6 5MMH1-BT	30,00					
33	1	2 600 600 006	groove ball bearing	40,00					
34	1	2 600 100 220	Bearing Bracket	400,00					
36	1	2 600 871 076	Chuck	247,00					
41	1	2 604 610 000	Compression Spring	32,00					
604	1	2 600 100 600	Auxiliary Handle	601,00					
606	1	2 600 601 000	Depth-Gauge	220,00					
803	1	2 600 100 898	Armature set 230V	1.627,00					
808	1	1 601 110 230	Nameplate						
910	1	2 610 201 230	Carbon-Brush Set	48,00					

Please observe: Repairing, modifying and testing of electric tools are to be performed professionally. The safety regulations according to IEC, EN, VDE, AFNOR and other regulations of the individual countries are to be observed. Subject to change.

The price list supersedes all previous editions. Prices are subject to change without any prior notice.

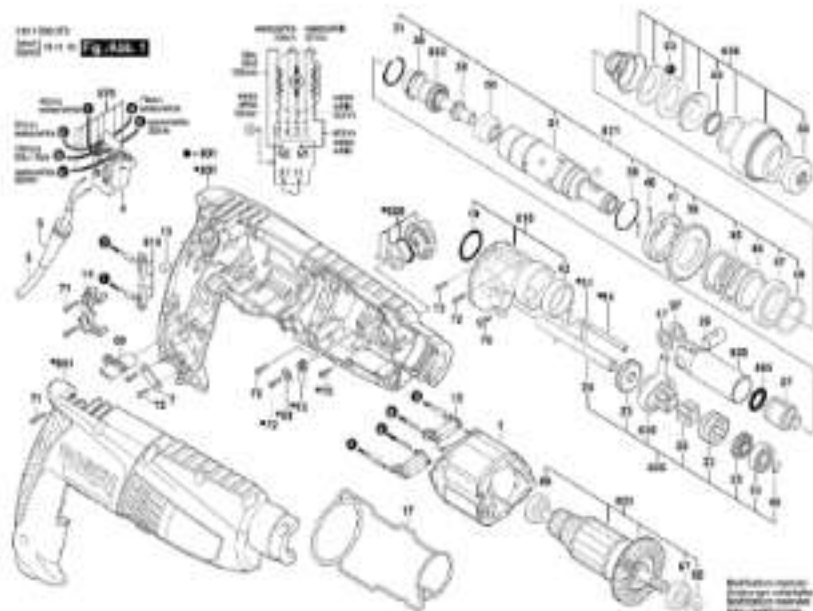


Model: 3 601 AA2 1F1 - 230

Item	Pc	Order no.	Description	LF in EUR	Item	Pc	Order no.	Description	LF in EUR
1	1	2 600 100 226	Motor Housing	1 163,00	33	4	2 600 111 223	Headless Screw	24,00
2	1	2 600 120 493	Field	189,00	40	2	2 610 811 002	Tapping Screw DIN	33,00
3	1	1 901 200 210	Switch BLACK	947,00	47	3	2 600 490 022	Screw 4X16	30,00
4	1	1 904 480 260	Power supply cord DN	1 027,00	55	1	2 601 030 001	Cable Clip	45,00
5	1	2 600 107 326	Grommet Ø6.5 MM	70,00	552	1	2 600 190 430	Auxiliary Handle	560,00
6	1	1 600 000 000	groove ball bearing DIN	130,00	553	1	2 600 001 009	Depth-Gauge	232,00
7	1	1 600 000 001	groove ball bearing SK24X7	135,00	603	1	1 610 P01 340	Armature set	
8	1	2 604 810 008	Compression Spring	92,00	610	1	1 617 000 525	Carbon-Brush Set 220 V /	101,00
9	1	2 600 100 230	Knob	40,00	617	1	2 600 110 171	Chuck	274,00
10	1	2 600 111 330	Control Shaft	163,00	618	1	2 600 190 440	Drilling Spindle	1 350,00
11	2	2 600 590 008	Ratchet Cap	92,00	619	1	2 600 190 450	Gear Housing	1 214,00
12	1	2 618 080 010	Locking washer	37,00	627	1	2 600 190 440	Bearing Flange	1 348,00
13	1	1 903 230 010	Bell DIN 5401-5, 5X8X11-8T	32,00	635	1	2 600 190 447	Transmission	2 187,00
14	1	2 600 111 407	Shim	40,00	660	1	2 607 980 007	Chuck Wrench 602	34,00
15	1	2 600 101 347	Shim 0.3 MM	92,00					
16	1	2 600 590 008	Disc Spring	48,00					
17	1	2 600 111 207	Adjusting Slide	309,00					
18	1	2 600 111 220	Slide Pin	92,00					
19	1	2 600 101 430	Holding Plate	32,00					
20	1	2 600 101 410	Rotary Knob	114,00					
21	1	2 600 300 008	O-Ring	92,00					
22	1	2 600 111 580	Link Guide	411,00					
23	1	2 604 801 028	Coiled Spring	30,00					
24	1	2 600 190 430	Brush Plate	662,00					

Please observe: Repairing, modifying and testing of electric tools are to be performed professionally. The safety regulations according to IEC, EN, VDE, AFNOR and other regulations of the individual countries are to be observed. Subject to change.

The price list supersedes all previous editions. Prices are subject to change without any prior notice.



1 / 2

Model: 3 611 B58 2F3 = 220

Item	Pc	Order no.	Description	LF in EUR	Item	Pc	Order no.	Description	LF in EUR
3	1	1 614 220 102	Field 220V	220,00	30	1	1 614 501 026	Retaining ring	31,00
4	1	1 617 200 516	On-Off Switch	270,00	40	2	1 613 130 032	Straight Pin	31,00
5	1	1 604 400 720	Power supply cord	312,00	41	1	1 610 102 072	Ratchet Disc	110,00
6	1	2 600 703 016	Grommet Ø7 3-Ø8,6X7,5	20,00	42	1	1 610 201 024	Plain bearing	50,00
7	1	1 611 028 007	Cable Clip	20,00	44	1	1 610 180 054	Support Disc	44,00
10	2	1 600 400 324	Adapter module	20,00	45	1	1 614 630 002	Compression Spring	20,00
14	1	1 616 808 107	Bearing Bracket	20,00	47	1	1 610 208 026	Ball Bearing	70,00
15	2	2 603 100 085	Diamond raster	54,00	48	1	1 614 001 064	Retaining ring	42,00
17	1	1 611 010 085	Sealing Frame	27,00	49	1	1 610 700 020	Retaining ring	21,00
18	1	1 610 210 184	O-Ring 22 ØX2,6 MM	31,00	50	1	1 600 400 013	Thrust Ring	127,00
21	1	1 610 800 102	Hammer Pipe	440,00	51	1	1 613 201 014	Shift Plate	30,00
22	1	1 616 317 082	Pinion	140,00	52	1	1 614 800 005	Coiled Spring	44,00
23	1	1 616 317 010	Cylindrical Gear	75,00	53	3	1 610 700 026	Pressure Disc	20,00
24	1	1 613 101 011	Transmission Shaft	42,00	54	1	1 613 100 023	Guide Rod	44,00
25	1	1 616 400 020	Coupling hub	20,00	55	1	1 610 030 052	Protective Cap	47,00
26	1	1 616 710 026	Slider	101,00	60	1	1 614 501 077	Spring retaining ring	50,00
28	1	1 613 124 024	Slider Pin	20,00	63	1	1 603 220 013	Ball DIN 6401-Ø716xH16-Ø7	70,00
29	1	1 613 100 034	Piston Pin	31,00	65	1	1 600 208 020	Ball Bearing 3X22X7	41,00
31	1	1 614 501 023	Retaining ring	20,00	67	1	1 610 208 023	Ball Bearing	50,00
33	1	1 610 320 014	Switching Element	20,00	68	1	1 614 501 002	Plain Washer	20,00
34	1	1 610 305 034	Ball Bearing 3X22X6	40,00	69	1	1 613 201 016	Change-Over Switch	20,00
35	1	1 610 301 005	Holding Plate	47,00	71	10	1 610 700 210	Tapping Screw	47,00
37	2	1 610 100 016	Guide Disc	47,00	72	8	1 610 700 220	Tox Over-Head Screw	31,00
38	1	1 616 317 072	Cylindrical Gear	94,00	73	3	2 614 201 482	Tox Over-Head Screw	31,00

Please observe: Repairing, modifying and testing of electric tools are to be performed professionally. The safety regulations according to IEC, EN, VDE, AFNOR and other regulations of the individual countries are to be observed. Subject to change.

The price list supersedes all previous editions. Prices are subject to change without any prior notice.


 Bosch Power Tools
 Bosch Power Tools
 Bosch Power Tools

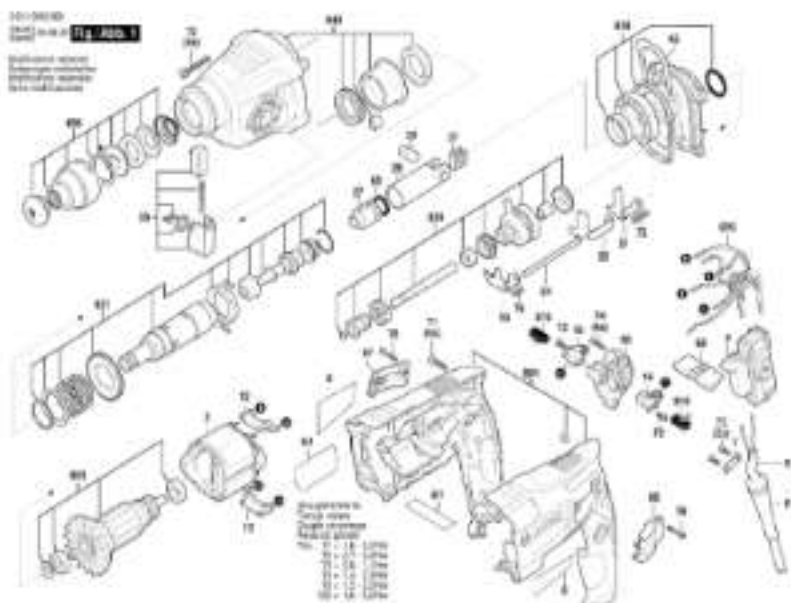
2 / 3

Model: 3 611 B58 2F3 = 220

Item	Pc	Order no.	Description	LF in	Item	Pc	Order no.	Description	LF in / NR.
951	1	2 602 025 140	Auxiliary Handle	NR					
952	1	1 613 001 009	Depth-Gauge 8W ER210	173,00					
953	1	1 602 071 089	Chuck Ø1 5-13 MM, 1/2"	424,00					
955-973	1	2 607 020 007	Chuck Wrench 9G2	34,00					
981	1	1 616 P01 156	Holding Belt	501,00					
983	1	1 616 P01 771	Armature 220-240V	294,00					
918	1	1 616 P01 777	Carbon-Brush Set	113,00					
919	1	1 616 P01 772	Intermediate Flange	224,00					
920	1	1 616 P01 782	Switch Button	42,00					
921	1	1 616 P01 773	Hammer Pipe	361,00					
922	1	1 616 P01 787	Transmission Shaft	628,00					
928	1	1 616 700 083	Hammer Piston	183,00					
930	1	1 616 P01 775	Drive bearing	523,00					
932	1	1 616 P01 405	Rubber Bushing	98,00					
965	1	1 616 P02 182	Protection Sleeve	122,00					
968	1	1 616 210 188	O-Ring 13.0X3.0 MM	33,00					
970	1	1 616 P01 778	Connecting Cable	323,00					
991	1	1 616 P01 717	Lock	93,00					

Please observe: Repairing, modifying and testing of electro-tools are to be performed professionally. The safety regulations according to IEC, EN, VDE, AFNOR and other regulations of the individual countries are to be observed. Subject to change.

The price list supersedes all previous editions. Prices are subjected to change without any prior notice.



Model: 3 E11 BA6 0F0 = 230

Item	Pc	Order no.	Description	LF in EUR	Item	Pc	Order no.	Description	LF in EUR
4	1	1 607 200 370	Switch	340,00	76	4	1 610 000 210	Tapping Screw	47,00
5	1	1 604 450 730	Power supply cord	310,00	75	1	1 614 540 025	Compression Spring	31,00
6	1	2 602 703 016	Grommet Ø7 3-Ø8,ØK75	29,00	75	1	1 614 540 030	Compression Spring	31,00
7	1	1 611 036 007	Cable Clip	20,00	75	2	1 610 000 260	Tapping Screw	111,00
12	1	1 606 400 320	Adapter module	66,00	651	1	2 603 001 009	Depth-Gauge	232,00
16	2	1 616 000 636	Brush Holder	60,00	601	1	1 616 430 426	Lock for 1 616 430 390	106,00
20	1	1 610 026 161	Clamp Handle BLACK	71,00	601	1	1 616 430 400	Lock for 1 616 430	76,00
26	1	1 616 000 940	Hammer Piston	185,00	601	1	1 616 430 421	Lock for 1 616 430 425 + 1	31,00
27	1	1 616 000 661	Striker	108,00	700	1	1 617 000 184	Drill Chuck Shank 1/2"	243,00
28	1	1 613 100 034	Piston Pin	31,00	700/1	1	2 603 421 007	Countersink-Head Screw	127,00
27	2	1 610 100 016	Guide Disc	47,00	701	1	1 603 071 006	Chuck	259,00
46	1	1 611 018 003	Holding Plate	62,00	701/1	1	2 607 600 007	Chuck Wrench GGG	64,00
51	1	1 610 021 004	Shift Plate	39,00	601	1	1 616 016 274	Motor Housing	418,00
52	1	1 610 021 006	Shift Plate	46,00	602	1	1 616 016 275	Armature	674,00
53	1	1 610 021 008	Shift Plate	36,00	610	1	1 617 000 925	Carbon-Brush Set 220 V /	181,00
54	1	1 613 023 016	Guide Rod	45,00	610	1	1 616 016 273	Intermediate Flange	402,00
55	1	1 610 210 070	O-Ring 14, ØK3,0 MM	79,00	621	1	1 610 016 280	Hammer Pipe	330,00
56	1	1 616 000 537	Bracket	46,00	622	1	1 602 026 001	Auxiliary Handle	568,00
57	1	1 616 000 547	Insulating Cap	46,00	622+22	1	1 602 026 070	Auxiliary Handle	500,00
58	1	1 616 000 548	Insulating Cap	46,00	622+24	1	1 611 316 021	Clamping Band Ø60 MM	73,00
59	1	1 616 000 702	Change-Over Switch	67,00	622+25	1	1 613 490 002	T-Head Bit MØx40 MM	76,00
71	5	2 603 460 023	Tool Over-Head Screw	31,00	622+62	1	1 617 000 478	Support clamp	64,00
72	4	1 616 000 946	Tool Over-Head Screw	31,00	624	1	1 610 016 282	Jack Shaft	317,00
73	4	1 616 000 920	Tool Over-Head Screw	31,00	643	1	1 616 016 284	Gear Housing	497,00

Please observe: Repairing, modifying and testing of electric tools are to be performed professionally. The safety regulations according to IEC, EN, VDE, AFNOR and other regulations of the individual countries are to be observed. Subject to change.

The price list supersedes all previous editions. Prices are subject to change without any prior notice.

36119610
36119611
36119612

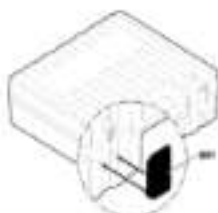
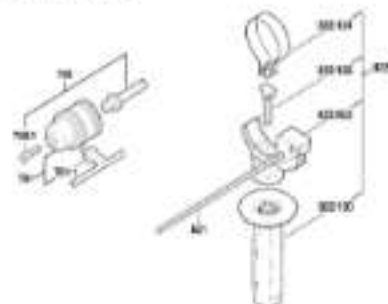


Illustration without
accessories, optional
accessories, optional
Bosch-Accessories

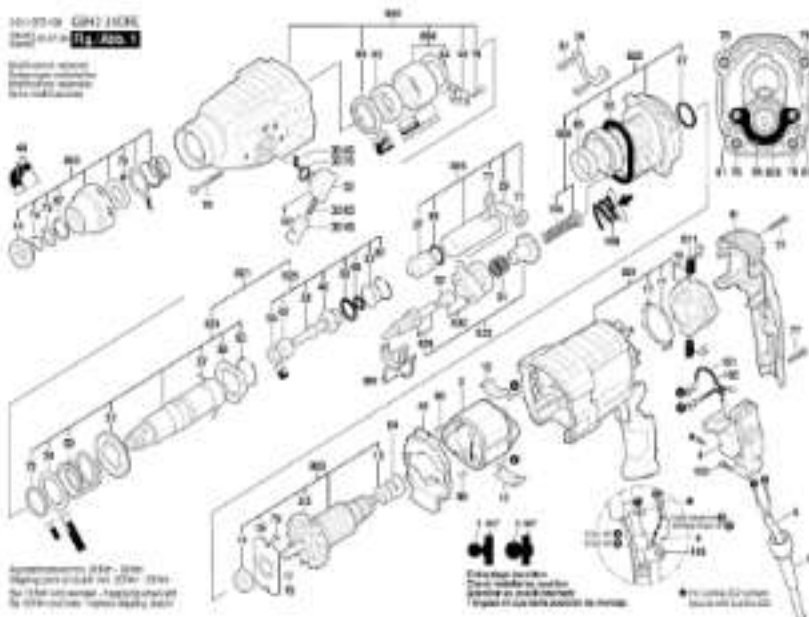
2 / 3

Model: 3 €11 BA6 0F0 = 230

Item	Pc	Order no.	Description	LP in EUR	Item	Pc	Order no.	Description	LP in EUR
806	1	1 617 300 603	Protection Sleeve	257,00					
810	1	1 616 P16 327	Connecting Cable	205,00					
802	1	1 616 430 001	Grease Tube 225 ML	381,00					
803	1	1 616 430 000	Grease Tube 225 ML	2 384,00					
804	1	1 616 430 000	Grease Tube 225 ML	1 511,00					
805	1	1 616 430 016	Oil Reservoir 1000 ML	2 704,00					

3 611 B72 1F1 GBH 2-24 DRE
3 611 B72 1F1 GBH 2-24 DRE

Explosion-proof version
for use in hazardous areas
Ex ia IIC T4



Accessories: 3 611 001
Housing 3 611 001 001
For 1.5kg universal - hammer drill
3 611 001 001 001

Drive shaft assembly
The roller bearing is
positioned on the shaft
by means of the roller bearing
holder.

Roller bearing holder
Roller bearing holder

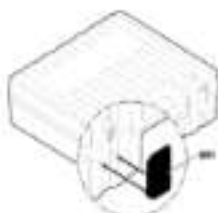
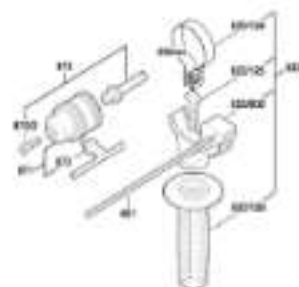
1 / 2

Model: 3 611 B72 1F1 - 230

Item	Pc	Order no.	Description	LF in EUR	Item	Pc	Order no.	Description	LF in EUR
2	1	1 610 P11 001	Field 230V	300,00	37	2	1 610 100 710	Straight Pin	40,00
3B	1	1 610 P12 021	Fan	31,00	38	1	1 610 100 040	Catch Disk	50,00
4	1	1 610 200 320	Switch	300,00	41	1	1 610 P12 101	Housing Cover	144,00
5	1	1 610 P10 300	Power supply cord		42	1	1 610 100 070	Thrust Ring	117,00
6	1	1 610 703 034	Stommet Ø7 3-Ø6,5R55	70,00	44	1	1 610 200 034	Protective Cap	50,00
10	2	1 614 400 011	Suppression Filter	100,00	45	1	1 610 P12 100	Air-Deflector Ring	31,00
13	1	1 610 200 020	groove ball bearing 7x18x5	100,00	48	1	1 610 070 714	Guide Bushing	117,00
14	1	1 610 200 040	Ball Bearing	100,00	49	1	1 611 000 000	Tail Washer	00,00
16	1	1 610 P10 071	Brush Plate	210,00	49	1	1 610 700 044	End Shield	00,00
17	1	1 610 010 107	Switch Contact	00,00	50	1	1 614 011 020	Compression Spring	110,00
22	1	1 610 210 004	Cylindrical Gear	200,00	54	1	1 610 210 010	Rubber Bushing	30,00
27	1	1 610 211 010	Striker	200,00	55	1	1 610 P12 140	O-Ring	00,00
28	1	1 613 100 001	Striker Pin	200,00	55	1	1 610 210 107	O-Ring	00,00
29	1	1 610 100 010	Platen Pin	00,00	57	1	1 610 210 000	O-Ring 24,00x2,6 MM	00,00
31	1	1 610 212 010	Needle-Roller Assembly	100,00	58	1	1 610 210 170	O-Ring	47,00
32	1	1 610 020 107	Clamp Handle BLACK	00,00	59	1	1 610 200 030	Rotary shaft to see	17,00
32M	1	1 610 P02 071	Driver Pin	40,00	60	1	1 610 210 170	O-Ring 8,00x2,6 MM	31,00
32M	1	1 610 020 030	Striker Button R60	00,00	61	1	1 610 010 000	Needle bearing	100,00
3270	1	1 610 210 040	O-Ring 10,5x2,7 MM	00,00	64	1	1 610 P12 270	Supporting Disc	00,00
3283	1	1 614 011 000	Compression Spring	70,00	66	1	1 610 200 001	Plain bearing	70,00
33	1	1 610 000 014	Holding Jacket	00,00	67	1	1 610 200 017	Rotary shaft to see	00,00
34	1	1 610 P12 000	Supporting Disc	70,00	70	1	1 603 200 010	Ball Disk 6401-Ø116x110x10T	70,00
35	1	1 610 010 020	Plain bearing	00,00	71	2	1 610 101 011	Spin washer 1,2 MM	00,00
36	1	1 610 000 100	Bearing Holder	00,00	72	1	1 604 001 007	Retaining ring	31,00

Please observe: Repairing, modifying and testing of electric tools are to be performed professionally. The safety regulations according to IEC, EN, VDE, AFNOR and other regulations of the individual countries are to be observed. Subject to change.

The price list supersedes all previous editions. Prices are subject to change without any prior notice.

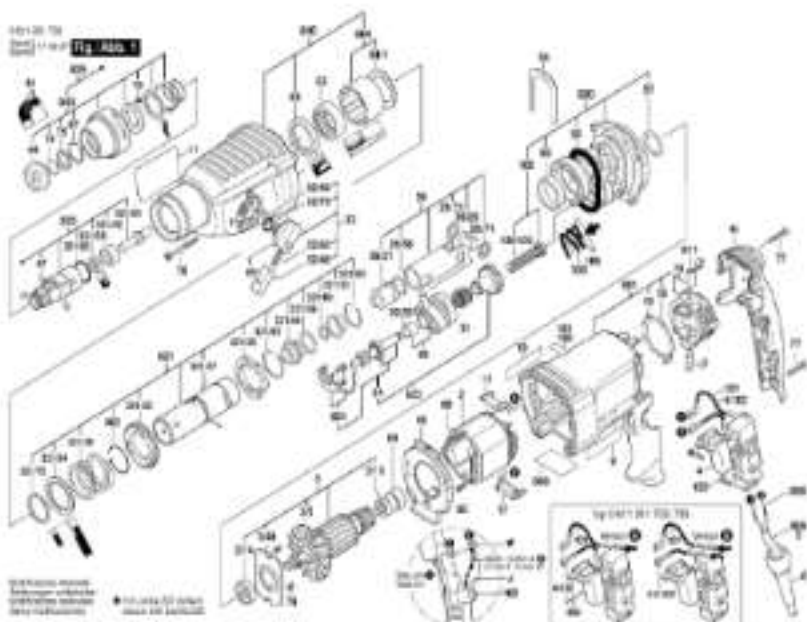
1 611 B72 1F1
 1 611 B72 1F1

 Hammer pin
 Hammer pin
 Hammer pin
 Hammer pin

2 / 3

Model: 3 611 B72 1F1 + 230

Item	Pc	Order no.	Description	LF in EUR	Item	Pc	Order no.	Description	LF in EUR
74	1	1 614 801 007	Retaining ring	31,00	322	1	1 602 026 32X	Auxiliary Handle	620,00
75	2	1 616 101 529	Retaining Washer	31,00	322+25	1	1 602 026 57H	Auxiliary Handle	500,00
76	4	1 613 438 022	Thread-forming tap. Screw	31,00	322+24	1	1 611 316 021	Clamping Band Ø60 mm	72,00
77	2	1 613 438 024	Tonk Oval-Head Screw	30,00	322+25	1	1 613 438 022	T-Head Bolt M6X40 MM	70,00
78	3	1 613 438 022	Screw 4X16	30,00	322+22	1	1 617 026 475	Support clamp	94,00
79	2	1 613 438 023	Thread-forming tap. Screw	31,00	323	1	1 610 P13 468	Toothed Shaft	375,00
80	2	1 610 P13 303	Thread-forming tap. Screw	30,00	324	1	1 610 P13 467	Toothed Shaft	365,00
81	2	1 613 438 026	Thread-forming tap. Screw	31,00	325	1	1 617 026 557	Hammer Pinion	694,00
82	1	1 614 801 026	Retaining ring	31,00	326	1	1 610 P13 463	Striker Pin	320,00
83	2	1 604 801 028	Retaining ring A22 DIN	31,00	329	1	1 610 P13 466	Pipe	611,00
87	1	2 616 940 012	Retaining ring DIN	31,00	330	1	1 610 016 023	Drive bearing	1 243,00
101	1	1 614 449 016	Connecting Cable	31,00	340	1	1 610 P13 462	Gear Housing	626,00
102	1	1 614 449 015	Connecting Cable	31,00	343	1	1 610 P13 465	Protective Cap	232,00
105	1	1 614 811 021	Compression Spring	47,00	361	1	1 610 P13 480	Switching Element	70,00
991	1	1 613 001 000	Depth-Gauge SW 6X2+0	171,00	364	1	1 610 P13 481	Supporting Disc	190,00
991	2	1 616 438 408	Lock for 1 616 438	70,00	365	1	1 614 811 022	Plain bearing	73,00
991	2	1 616 438 421	Lock for 1 616 438 428 + 1	31,00	370	1	1 613 003 011	Drill Chuck Shank 1/2"	320,00
991	2	1 616 438 438	Lock for 1 616 438 396	190,00	375+2	1	1 603 421 207	Countersunk-Head Screw	127,00
991	1	1 610 P13 454	Motor Housing BLUE	232,00	371	1	1 606 071 038	Chuck	259,00
991	1	1 610 P13 460	Armature 230V	354,00	372	1	1 607 260 007	Chuck Wrench 90°	34,00
991	1	2 611 029 001	Cable Clip	49,00	382	1	1 616 430 001	Grease Tube 225 ML	603,00
911	1	1 617 026 025	Carbon-Brush Set 225 V /	161,00	383	1	1 616 430 002	Grease Tube 225 ML	1 094,00
920	1	1 610 P13 461	Intermediate Flange	426,00	384	1	1 616 430 003	Grease Tube 225 ML	1 612,00
921	1	1 610 P13 462	Flange	1 082,00	385	1	1 616 430 019	Oil Reservoir 1000 ML	2 720,00

Please observe! Repairing, modifying and testing of electric tools are to be performed professionally. The safety regulations according to IEC, EN, VDE, AFNOR and other regulations of the individual countries are to be observed. Subject to change.
 The price list supersedes all previous editions. Prices are subject to change without any prior notice.

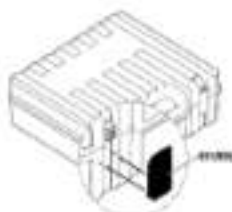
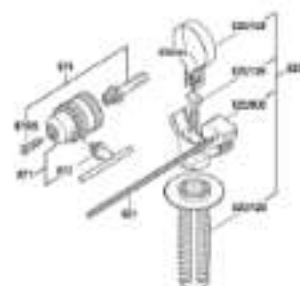


Model: 0 611 251 7X0 = 230 V IN

Item	Pc	Order no.	Description	LF in EUR	Item	Pc	Order no.	Description	LF in EUR
2	1	1 614 225 117	Field 230V	647,00	3249	1	1 610 208 036	Switch Button RED	60,00
3	1	1 614 610 709	Armature 230V	2.305,00	3278	1	1 610 210 040	O-Ring 10,5x2,7 MM	60,00
3B	1	1 616 610 024	Fan	71,00	3283	1	1 614 611 008	Compression Spring	73,00
3/13	1	1 610 205 025	groove ball bearing 7X15X5	100,00	38	1	1 611 016 003	Holding Plate	60,00
3/14	1	1 610 603 040	Ball Bearing	160,00	41	1	1 615 200 343	Housing Cover BLUE	254,00
3/15	1	1 616 700 044	End Shield	60,00	44	1	1 610 600 047	Protective Cap	60,00
4	1	1 617 200 532	Switch	647,00	46	1	1 610 502 013	Air-Deflector Ring	60,00
4/102	1	1 614 449 010	Connecting Cable	31,00	47	4	1 613 100 030	Needle Roller	60,00
5	1	1 614 480 008	Power supply cord BR		54	1	1 610 602 018	Rubber Bushing	30,00
6	1	1 606 703 034	Grommet ØT 3-Ø6,5x66	76,00	55	1	1 610 200 020	Seal Ring 63,0X7,0 MM	100,00
16	1	1 614 220 001	Brush Plate	600,00	57	1	1 610 210 003	O-Ring 24,0X2,5 MM	61,00
17	2	1 614 480 011	Suppression Filter	180,00	60	1	1 610 210 053	Needle bearing	160,00
18	1	1 611 229 024	Switch Contact	42,00	64-1	1	1 610 190 080	Supporting Disc	60,00
24	1	1 617 200 008	Toothed Shaft	340,00	66	1	1 610 202 021	Plain bearing	70,00
26	1	1 617 200 697	Hammer Piston	604,00	68	1	1 610 203 028	Rotary shaft to seal	167,00
26/27	1	1 616 311 016	Stroker	283,00	70	1	1 623 220 013	Ball DIN 5401-Ø7MM-Ø1-ØT	70,00
30/30	1	1 613 100 010	Piston Pin	67,00	74	1	1 614 601 027	Retaining ring	31,00
30/36	1	1 616 210 187	O-Ring	67,00	75	2	1 610 101 629	Retaining Washer	31,00
30/71	2	1 616 101 011	Brush washer 1,2 MM	61,00	76	4	1 613 428 022	Three-forming top. Screws	31,00
30	1	1 616 610 020	Drive bearing	1043,00	77	2	1 603 420 024	Tox Oval-Head Screws	60,00
30/35	1	1 616 200 034	Plain bearing	30,00	79	2	1 613 426 023	Three-forming top. Screws	31,00
31	1	1 610 613 016	Needle-Roller Assembly	103,00	80	2	1 610 112 194	Screws	30,00
32	1	1 616 028 027	Clamp Handle BLACK	261,00	87	1	1 616 540 010	Retaining ring DIN	31,00
32/45	1	1 614 600 002	Driver Pin	60,00	101	1	1 614 449 014	Connecting Cable	31,00

Please observe: Repairing, modifying and testing of electric tools are to be performed professionally. The safety regulations according to IEC, EN, VDE, AFNOR and other regulations of the individual countries are to be observed. Subject to change.

The price list supersedes all previous editions. Prices are subject to change without any prior notice.

0 611 251 7X0
 GBH 2-26 RE
Fig. 100

 Illustration without
 accessories and/or
 optional features

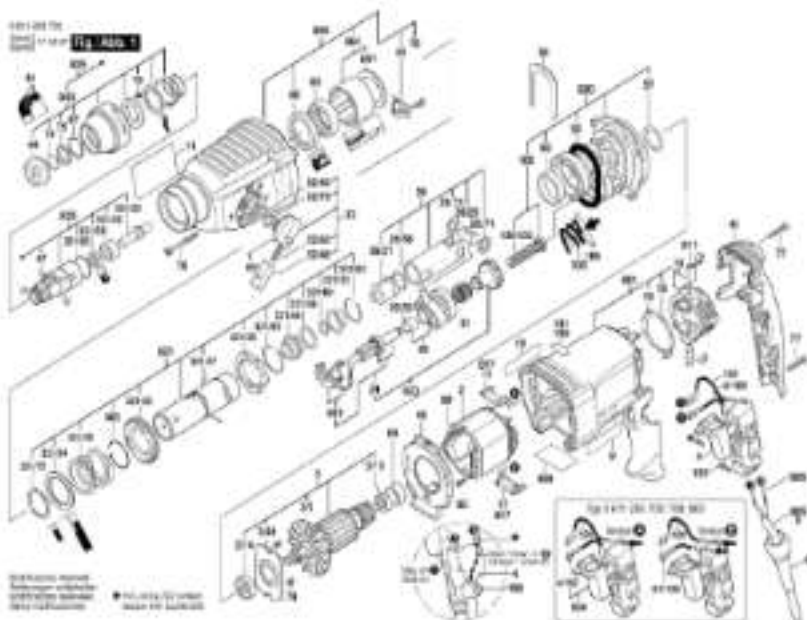
2 / 3

Model: 0 611 251 7X0 = 250

Item	Pc	Order no.	Description	LF in EUR	Item	Pc	Order no.	Description	LF in EUR
103	1	1 612 426 024	Lens Head Screw 2X10 BT	140,00	3221034	1	1 611 216 021	Clemping Band Ø26 MM	70,00
105	1	1 614 611 020	Plain bearing	70,00	3221025	1	1 613 430 002	T-Head Bolt M6X40 MM	70,00
106/103	1	1 614 611 021	Compression Spring	47,00	3220012	1	1 617 000 470	Support clamp	34,00
32102	1	1 616 210 004	Cylindrical Gear	220,00	323	1	1 617 000 627	Toothed Shaft	760,00
321025	1	1 612 124 031	Striker Pin	235,00	325	1	1 617 000 546	Tool Holding Fixture	2230,00
321033	1	1 612 020 014	Holding Jacket	60,00	340	1	1 617 000 030	Gear Housing	201,00
321034	1	1 612 100 067	Supporting Disc	31,00	343	1	1 617 000 032	Protection Sleeve	207,00
321038	1	1 600 400 040	Catch Disk	47,00	351	1	1 613 020 007	Switching Element	21,00
321042	1	1 612 102 073	Thrust Ring	117,00	354	1	1 617 000 437	Supporting Disc	146,00
321043	1	1 612 320 031	Guide Bushing	100,00	370	1	1 613 523 011	Drill Chuck Shank 1/2"	340,00
321050	1	1 614 611 020	Compression Spring	110,00	370G	1	2 603 421 007	Countersunk-Head Screw	107,00
321056	1	1 612 210 170	O-Ring	47,00	371	1	1 603 071 020	Chuck	250,00
321059	1	1 612 253 026	Rotary shaft lip seal	77,00	372	1	2 607 295 007	Chuck Wrench SDS	34,00
321060	1	1 612 210 170	O-Ring 9,0X3,5 MM	21,00	383	1	1 604 001 020	Retaining ring A22 DIN	21,00
321062	1	1 612 210 170	O-Ring	61,00					
321072	1	1 604 801 027	Retaining ring	21,00					
321082	1	1 614 801 024	Retaining ring	21,00					
321083	1	1 604 801 026	Retaining ring A22 DIN	21,00					
381	1	2 603 001 020	Depth-Gauge	222,00					
382	1	1 617 000 660	Motor Housing BL/RE	1 030,00					
311	1	1 617 000 525	Carbon-Brush Set 230 V /	161,00					
311	1	1 607 000 426	Carbon-Brush Set 10 X 1	1 670,00					
320	1	1 617 000 526	Intermediate Flange	207,00					
321	1	1 617 000 524	Flange	1 480,00					

Please observe: Repairing, modifying and testing of electric tools are to be performed professionally. The safety regulations according to IEC, EN, VDE, AFNOR and other regulations of the individual countries are to be observed. Subject to change.

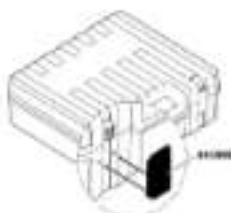
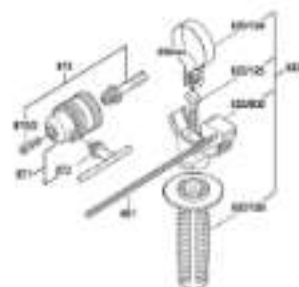
The price list supersedes all previous editions. Prices are subject to change without any prior notice.


Model: 0 611 253 7X0 = 250

Item	Pc	Order no.	Description	LF in EUR	Item	Pc	Order no.	Description	LF in EUR
2	1	1 614 225 117	Field 230V	647,00	3279	1	1 610 210 248	O-Ring 10,2x12,7 MM	32,00
3	1	1 614 610 709	Armature 230V	2.305,00	3283	1	1 614 611 008	Compression Spring	73,00
3B	1	1 616 610 024	Fan	71,00	35	1	1 611 016 002	Holding Plate	39,00
3/13	1	1 610 205 025	groove ball bearing 7X15X5	132,00	41	1	1 610 620 243	Housing Cover BLUE	254,00
3/14	1	1 610 625 045	groove ball bearing 5X24X7	162,00	44	1	1 610 620 047	Protective Gas	62,00
3/15	1	1 616 700 044	End Shield	62,00	45	1	1 610 622 013	Air-Deflector Ring	60,00
4	1	1 617 200 532	Switch	647,00	47	4	1 610 100 030	Needle Roller	65,00
4/102	1	1 614 449 015	Connecting Cable	31,00	48	1	1 611 098 003	Tap Washer	30,00
5	1	1 614 480 085	Power supply cord BR		54	1	1 610 602 018	Rubber Bushing	39,00
6	1	1 606 703 034	Grommet ØT 3-Ø6,5x5,5	75,00	55	1	1 610 226 020	Seal Ring 63,0X7,0 MM	102,00
7	1	1 614 228 051	Brush Plate	200,00	57	1	1 610 210 005	O-Ring 24,0x12,0 MM	31,00
10	2	1 611 320 024	Switch Contact	40,00	59	1	1 610 210 052	Needle bearing	163,00
14	1	1 617 000 055	Toothed Shaft	349,00	64-1	1	1 610 190 080	Supporting Disc	62,00
20	1	1 617 000 067	Hammer Plate	264,00	66	1	1 610 202 021	Plain bearing	73,00
20/7	1	1 610 211 016	Striker	281,00	68	1	1 610 203 028	Rotary shaft (to see)	167,00
20/25	1	1 613 105 012	Pinion Pin	57,00	70	1	1 623 220 013	Ball DIN 5401-Ø71MM-Ø1-ØT	73,00
20/26	1	1 610 210 107	O-Ring	57,00	74	1	1 614 601 027	Retaining ring	31,00
20/71	2	1 610 101 011	Drive washer 1,2 MM	91,00	75	2	1 610 131 029	Retaining Washer	31,00
20	1	1 610 219 023	Drive bearing	124,00	76	1	1 613 428 022	Thread-forming tap. Screws	31,00
20/25	1	1 610 203 024	Plain bearing	39,00	77	2	1 603 420 024	Tox Oval-Head Screws	60,00
31	1	1 610 610 016	Needle-Roller Assembly	103,00	78	1	1 603 420 022	Screws 4X16	30,00
32	1	1 610 028 037	Clamp Handle BLACK	281,00	79	2	1 613 428 023	Thread-forming tap. Screws	31,00
32/45	1	1 614 620 002	Driver Pin	60,00	80	2	1 610 P13 154	Screws	39,00
32/46	1	1 610 025 025	Switch Button RED	60,00	87	1	1 610 240 012	Retaining ring DIN	31,00

Please observe: Repairing, modifying and testing of electric tools are to be performed professionally. The safety regulations according to IEC, EN, VDE, AFNOR and other regulations of the individual countries are to be observed. Subject to change.

The price list supersedes all previous editions. Prices are subject to change without any prior notice.

0 611 253 7X0
 0 611 253 7X0 | BO

 Illustration without
 dimensions and/or
 tolerances

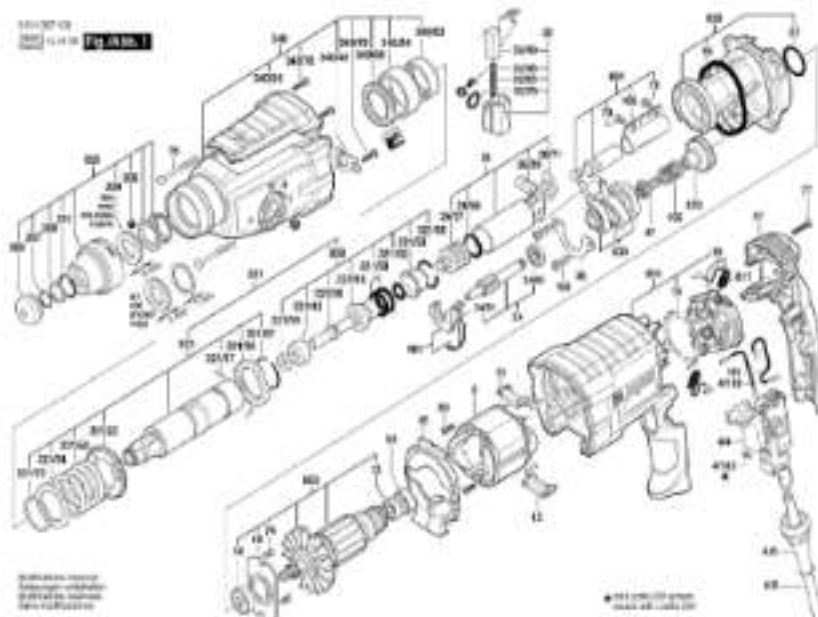
2 / 3

Model: 0 611 253 7X0 = 250

Item	Pc	Order no.	Description	LF in EUR	Item	Pc	Order no.	Description	LF in EUR
101	1	1 614 443 314	Connecting Cable	31,00	320	1	1 617 000 803	Intermediate Flange	1 300,00
103	1	1 616 950 020	Tool Over-Heat Screw	31,00	321	1	1 617 000 594	Pipe	1 450,00
105	1	1 614 511 022	Plain bearing	73,00	322/124	1	1 611 318 021	Clamping Band Ø90 mm	73,00
108/109	1	1 614 511 021	Compression Spring	47,00	322/125	1	1 613 492 002	T-Head Bolt M6X40 MM	76,00
321/22	1	1 616 312 024	Cylindrical Gear	285,00	322/122	1	1 617 000 475	Support clamp	34,00
321/25	1	1 613 104 021	Setler Pin	235,00	323	1	1 617 000 879	Toothed Shaft	1 614,00
321/33	1	1 616 500 314	Holding Jacket	55,00	325	1	1 617 000 528	Tool Holding Fixture	2 215,00
321/34	1	1 616 100 027	Supporting Disc	31,00	340	1	1 617 000 581	Gear housing	337,00
321/37	3	1 613 100 016	Straight Pin	60,00	343	1	1 617 000 032	Protection Sleeve	237,00
321/38	1	1 606 400 349	Catch Disk	27,00	351	1	1 616 500 027	Switching Element	31,00
321/42	1	1 616 102 073	Thrust Ring	117,00	354	1	1 617 000 427	Supporting Disc	140,00
321/45	1	1 616 300 021	Guide Bushing	190,00	370	1	1 613 523 011	Drill Chuck Shank 1/2"	320,00
321/50	1	1 614 511 020	Compression Spring	110,00	370/2	1	2 003 421 207	Countersunk-Head Screw	127,00
321/53	1	1 616 210 178	O-Ring	47,00	371	1	1 606 971 035	Chuck	269,00
321/55	1	1 616 383 026	Rotary shaft lip seal	77,00	372	1	1 607 280 007	Chuck Wrench SGG	34,00
321/56	1	1 616 210 179	O-Ring 5.0X3.2 MM	31,00	383	1	1 604 501 028	Retaining ring A22 DIN	31,00
321/62	1	1 616 210 173	O-Ring	51,00					
321/70	1	1 604 801 027	Retaining ring	31,00					
321/82	1	1 614 501 024	Retaining ring	31,00					
321/83	1	1 604 801 028	Retaining ring A22 DIN	31,00					
951	1	2 603 901 008	Depth-Gauge	222,00					
901	1	1 617 000 888	Motor Housing BLUE	1 029,00					
911	1	1 617 000 525	Carbon-Brush Set 220 V /	191,00					
911	1	1 607 000 426	Carbon-Brush Set 10 X 1	1 575,00					

Please observe! Repairing, modifying and testing of electro-tools are to be performed professionally. The safety regulations according to IEC 61110, AFNOR and other regulations of the individual countries are to be observed. Subject to change.

The price list supersedes all previous editions. Prices are subject to change without any prior notice.

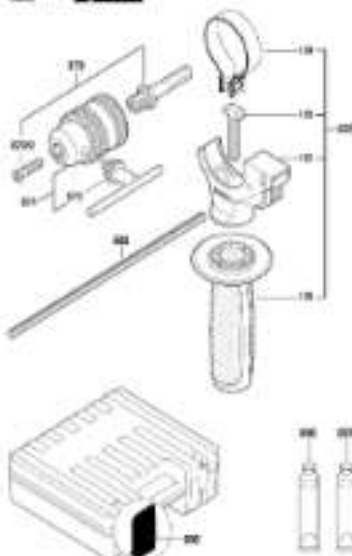


Model: 3 E11 B67 1F0 = 230

Item	Pc	Order no.	Description	LF in EUR	Item	Pc	Order no.	Description	LF in EUR
3	1	1 615 P11 231	Field 230V	671,00	25	1	1 615 203 108	Sealing Holder	42,00
44	1	1 617 205 532	Switch	647,00	41	1	1 615 500 428	Housing Cover	159,00
48	1	1 616 P15 025	Power supply cord		45	1	1 610 822 018	Air-Deflector Ring	71,00
49	1	1 600 703 034	Grommet Ø7,3-Ø8,6X65	73,00	47	1	1 610 P13 790	Control Element	
4102	1	1 614 449 015	Connecting Cable	31,00	49	1	1 615 730 044	End Shield	59,00
4103	1	1 613 438 034	Lens Head Screw 2X10 BT	142,00	54	1	1 610 802 018	Rubber Bushing	39,00
12	2	1 605 400 301	Adapter module	83,00	55	1	1 610 P13 144	O-Ring	83,00
13	1	1 610 805 032	groove ball bearing TX15K6	47,00	57	1	1 610 210 205	O-Ring 24,0x2,0 MM	30,00
14	1	1 610 805 045	groove ball bearing 50X40X7	122,00	75	4	1 613 438 034	Thread-forming top Screws	31,00
16	1	1 616 P15 071	Brush Plate	215,00	77	3	1 605 436 034	Top Over-Head Screws	50,00
18	2	1 616 P10 207	Switch Contact	82,00	79	4	1 619 P07 062	Thread-Forming Screws	30,00
24	1	1 617 205 851	Toothed Shaft	649,00	80	2	2 014 201 433	Top Over-Head Screws	31,00
24B1	1	1 616 822 097	Switching Element	31,00	101	1	1 614 446 014	Connecting Cable	31,00
24B2	1	1 610 805 015	groove ball bearing	149,00	102	1	1 614 942 027	Compression Spring	59,00
26	1	1 617 205 545	Hammer Piston	1 699,00	103	1	1 610 526 034	Protective Sleeve	71,00
26127	1	1 616 P15 051	Slider	01,00	109	2	1 613 446 014	Top Over-Head Screws	51,00
26168	1	1 610 210 121	O-Ring 17,5X2,0 MM	31,00	120	1	1 602 228 074	Auxiliary Handle	609,00
26171	2	1 610 100 010	Guide Disc	47,00	121	1	1 617 205 475	Support clamp	64,00
26197	1	1 602 421 700	Piston Pin	83,00	124	1	1 611 318 021	Clamping Band Ø90 MM	73,00
32	1	1 616 P12 078	Clamp Handle	119,00	125	1	1 613 438 032	T-Head Bolt M8X40 MM	78,00
3248	1	1 616 P09 071	Driver Pin	40,00	203	1	1 610 533 047	Protective Cap	62,00
3249	1	1 610 028 035	Switch Button RSD	80,00	204	1	1 613 230 003	Bolt Ø7,3 MM	39,00
32176	1	1 610 210 048	O-Ring 10,5X2,7 MM	63,00	207	1	1 614 951 027	Retaining ring	31,00
32183	1	1 614 911 005	Compression Spring	73,00	208	1	1 610 121 829	Retaining Washer	31,00

Please observe: Repairing, modifying and testing of electric tools are to be performed professionally. The safety regulations according to IEC, EN, VDE, AFNOR and other regulations of the individual countries are to be observed. Subject to change.

The price list supersedes all previous editions. Prices are subject to change without any prior notice.

3 611 B67 1F0
 3 611 B67 1F0 | BO

 Illustration without
 accessories and other
 parts not included

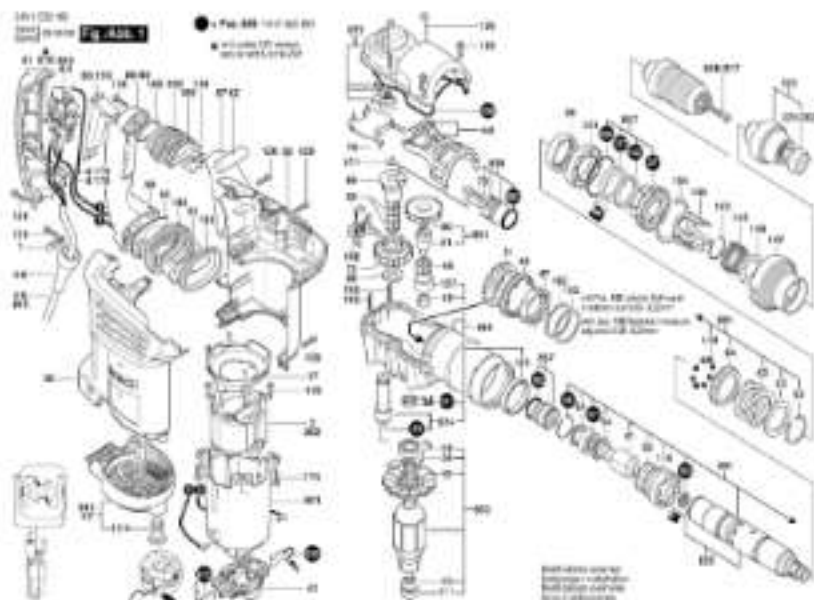
2 / 3

Model: 3 611 B67 1F0 = 230

Item	Pc	Order no.	Description	LF in EUR	Item	Pc	Order no.	Description	LF in EUR
300	1	1 612 102 833	Friction Washer	30,00	30075	2	2 603 400 000	Screw 4X12	30,00
311	1	2 618 540 012	Retaining ring DIN	31,00	558	1	1 613 001 008	Depth-Gauge SW BK210	173,00
321	1	1 617 000 504	Toolholder	3 400,00	801	1	1 617 000 060	Motor Housing	524,00
32102	1	1 618 212 004	Cylindrical Gear	500,00	803	1	1 610 P12 114	Armature set 230V	1 350,00
32103	1	1 612 124 080	Striker Pin	500,00	811	1	1 617 000 525	Carbon-Brush Set 220 V /	151,00
321033	1	1 610 000 000	Holding Jacket	30,00	811	1	1 607 000 400	Carbon-Brush Set 10 X 1	1 870,00
321034	1	1 610 100 067	Supporting Disc	31,00	820	1	1 617 000 887	Intermediate Flange	534,00
321037	3	1 613 100 018	Straight Pin	30,00	821	1	1 617 000 009	Tool Holding Flange	2 360,00
321038	1	600 400 040	Clutch Disk	27,00	822	1	1 600 000 006	Auxiliary Handle	330,00
321042	1	1 610 102 034	Thrust Ring	30,00	823	1	1 617 000 064	Gear Sleeve	510,00
321046	1	1 610 300 008	Guide Bushing	500,00	823	1	1 617 000 008	Tool Holding Flange	400,00
321050	1	1 614 810 000	Compression Spring	100,00	823	1	1 617 000 827	Striker Pin	1 300,00
321058	2	1 610 210 100	O-Ring 18,0X3,5 Mtl.	110,00	830	1	1 617 000 060	Drive bearing	1 500,00
321059	1	600 400 010	Shaft Seal	140,00	881	1	1 610 000 007	Switching Element	31,00
321061	1	1 610 210 200	O-Ring 6,0X3,5 Mtl	30,00	870	1	1 610 000 011	Drill Chuck Shank 1/2"	330,00
321072	1	1 604 801 027	Retaining ring	31,00	870G	1	2 603 421 220	Countersink-Head Screw	44,00
321078	1	1 614 801 034	Retaining ring	31,00	871	1	1 600 071 000	Chuck Ø1,2-1,3 Mtl., 1/2"	424,00
321087	1	1 604 801 026	Retaining ring A22 DIN	31,00	872	1	1 607 000 007	Chuck Wrench 802	34,00
340	1	1 617 000 887	Gear Housing	940,00	881	1	1 617 000 882	Weight	340,00
34000	1	1 606 000 007	Cover	140,00	885	1	1 616 430 421	Lock for 1 616 430 420 + 1	31,00
34004	1	1 611 000 000	Tap Washer	30,00	885	1	1 616 430 001	Grease Tube 220 ML	800,00
34005	1	1 610 210 080	Needle bearing	180,00	887	1	1 610 430 000	Grease Tube 220 ML	2 004,00
34006	1	1 610 300 000	Bushing	110,00					
34008	1	1 610 000 000	Rotary shaft lip seal	127,00					

Please observe: Repairing, modifying and testing of electric tools are to be performed professionally. The safety regulations according to IEC 61110, AF104 and other regulations of the individual countries are to be observed. Subject to change.

The price list supersedes all previous editions. Prices are subject to change without any prior notice.



Model: 3 611 C32 1K5 = 230

Item	Pc	Order no.	Description	LF in EUR	Item	Pc	Order no.	Description	LF in EUR
3	1	1 912 932 340	Field 230V	1,301,00	60	1	1 915 317 076	Cylindrical Gear	414,00
44	1	1 917 303 127	Switch	784,00	61	1	1 915 333 348	Pinion	913,00
48	1	1 914 400 026	Power supply cord EU	971,00	62	1	1 910 028 002	Damping rubber	49,00
49	1	1 900 703 034	Grommet Ø7,3-Ø8,5M55	73,00	63	1	1 914 511 028	Compression Spring	147,00
4175	1	1 914 412 055	Connecting Cable	45,00	64	1	1 910 438 024	Clutch Ring	271,00
4170	1	1 914 412 056	Connecting Cable	45,00	65	1	1 910 301 007	Plain bearing	33,00
7	1	1 901 300 017	Fastening Clamp	31,00	66	1	1 915 455 008	Eccentric	1 435,00
13	1	2 900 903 032	Ball Bearing 701502	159,00	67	1	1 910 232 000	Leaf Spring	190,00
14	1	1 910 203 038	groove ball bearing	113,00	68	2	1 910 213 001	Needle-Roller Assembly	83,00
15	1	1 916 910 100	Fan	101,00	70	1	1 912 001 041	Connecting Rod	505,00
21	1	1 912 950 040	Air-Deflector Ring BLACK	30,00	72	1	1 919 P11 482	Eccentric Cog Wheel	1 101,00
24	1	1 911 323 034	Fixing Plate	25,00	74	1	1 914 238 078	Support Plate	30,00
25	1	1 918 104 048	Housing Section	1 054,00	80/80	1	1 915 133 033	Handle BLUE	366,00
41	1	1 919 P11 442	Stroker Pin	327,00	80/80	1	1 912 038 125	Switch-Pawl RED	31,00
42	1	1 914 338 072	Brush Holder	673,00	81	1	1 917 030 548	Handle Cover BLACK	348,00
434	1	1 913 460 007	Clamp Screw	49,00	82	1	1 910 228 010	Pin Seal	30,00
44	1	1 914 911 028	Rocker Pawl BLACK	80,00	84	1	1 900 028 074	Auxiliary Handle	600,00
47	1	1 916 323 040	Gear Sleeve	308,00	85	1	1 918 040 037	Support clamp	201,00
48	1	1 912 960 038	Clutch Sleeve	1 012,00	86	1	1 913 490 002	T-Head Bolt M2X40 MM	75,00
51	1	1 916 333 044	Drive Gear	1 728,00	87	1	1 911 318 010	Clamping Band Ø62 MM	123,00
52	2	1 914 901 051	Spring retaining ring	82,00	90	1	1 914 901 050	Retaining ring	93,00
53	1	1 910 103 034	Supporting Disc	80,00	87	1	1 910 314 008	Beading Sleeve	49,00
54	2	1 910 101 030	Stop Disc	127,00	88	1	1 910 211 010	Spacer Sleeve	37,00
55	2	1 912 049 051	Rockler Arm BLACK	80,00	89	1	1 910 131 820	Supporting Disc 1,0 MM	32,00

Please observe: Repairing, modifying and testing of electro tools are to be performed professionally. The safety regulations according to IEC 61156, AF104 and other regulations of the individual countries are to be observed. Subject to change.

The price list supersedes all previous editions. Prices are subject to change without any prior notice.

1 611 C32 1K5
 1 611 C32 1K5 | **Fig. 16.10**

 This diagram is intended
 for information only and
 does not constitute a
 contract.

2 / 3

Model: 3 611 C32 1K5 - 230

Item	Pc	Order no.	Description	LP in EUR	Item	Pc	Order no.	Description	LP in EUR
102	2	1 610 102 030	Shim 0.5 MM THICK	52,00	167	1	1 610 203 030	Rotary shaft to see DIN	208,00
103	2	1 610 102 070	Shim 0.8 MM THICK	52,00	171	1	2 610 000 211	Locking washer	50,00
104	2	1 610 102 091	Shim 1.0 MM THICK	54,00	172	4	1 610 490 013	Thread-forming top. Screws	53,00
105	1	1 610 200 027	Plain bearing	110,00	174	4	1 610 490 014	Thread-forming top. Screws	53,00
104	1	1 610 210 190	O-Ring 46.0X3.5 MM	52,00	175	2	2 610 730 175	Socket head cap screw	32,00
111	1	1 600 000 000	Intermediate Ring	71,00	183	1	1 610 200 000	Grip-Spring Tensioning E	31,00
112	2	1 610 430 038	Lens Head Screw	51,00	184	1	1 610 200 000	Clamping Piece	30,00
116	1	1 610 480 007	Clutch Sleeve	179,00	192	2	1 614 011 010	Compression Spring	50,00
118	3	603 230 013	Ball DIN 5401-2TRWN13-6T	73,00	194	1	1 610 200 000	Screw Plate	51,00
121	1	1 610 300 028	Plain bearing	222,00	195	1	1 610 000 000	Clamping Piece	32,00
126	11	2 603 460 023	Torx OverHead Screw	31,00	196	1	1 610 000 000	Switch Slide	30,00
127	1	1 610 420 021	Seal	103,00	199	1	1 610 200 000	Bellevue	101,00
138	1	1 611 010 058	Sealing Frame	112,00	200	1	1 610 200 001	Bellevue	76,00
141	1	1 600 400 034	Rotary shaft to see	220,00	223	1	1 610 010 017	Tool Holding Flange	204,00
142	1	1 610 300 010	Felt Washer	51,00	225/203	1	1 610 000 047	Protective Cap	50,00
143	1	2 610 540 015	Retaining ring Din 7993-23	51,00	650/217	1	2 603 421 220	Countersunk-head Screws	50,00
144	1	1 610 241 021	Collar	32,00	661	1	1 610 430 010	Grease Tube 10 ML	130,00
145	1	1 614 011 023	Compression Spring	51,00	662	1	1 610 001 008	Depth-Gauge SW 6K330	370,00
146	1	1 610 300 028	Backup ring	32,00	801	1	1 610 100 190	Motor Housing BLACK	910,00
147	1	1 610 300 028	Guide Sleeve BLACK	51,00	803	1	1 614 010 020	Armature With Fan 230V	1.745,00
154	1	1 614 001 062	Spring retaining ring	54,00	810	1	1 614 201 070	Carbon-Brush Set	370,00
161	1	1 610 300 082	Damping Ring	177,00	818	2	2 603 410 001	Socket head cap screw	50,00
162	1	1 600 400 010	Shaft Seal	140,00	824	1	1 610 123 013	Eccentric Shaft	600,00
165	2	1 610 210 190	O-Ring 21.0X3.5 MM	52,00	835	1	1 610 000 220	Hammer Pipe	4.207,00

Please observe: Repairing, modifying and testing of electric tools are to be performed professionally. The safety regulations according to IEC 61110, AFNOR and other regulations of the individual countries are to be observed. Subject to change.

The price list supersedes all previous editions. Prices are subject to change without any prior notice.

1 611 C32 1K5
3 611 C32 1K5 | BO

Fig. 16.10.2



Alle Angaben sind ohne Gewähr.
Bild und Beschreibung sind nur
zum Verständnis.

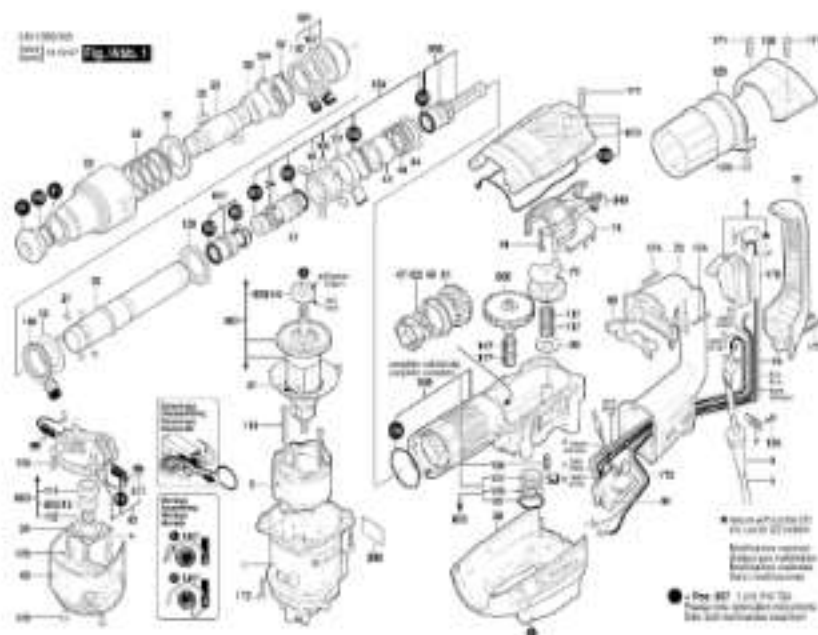
3 / 3

Model: 3 611 C32 1K5 = 230

Item	Pc	Order no.	Description	LF in EUR	Item	Pc	Order no.	Description	LF in EUR
160	1	1 615 100 188	Impact Mechanism	2.204,00					
161	1	1 615 900 334	Fan Cover BLACK	281,00					
162	1	1 611 320 030	Control Fork BLACK	129,00					
163	1	1 615 700 060	Hammer Piston	477,00					
164	1	1 612 110 094	Striker	791,00					
165	1	1 615 330 048	Pinion	1.020,00					
166	1	1 615 900 411	Housing Cover	1.150,00					
167	1	1 612 020 076	Auxiliary handle	791,00					
168	1	1 615 008 230	Hammer Pipe	2.071,00					
169	1	1 615 438 428	Lock for 1 615 438 356	185,00					
170	1	1 612 314 008	Sealing Sleeve	487,00					
171	1	1 617 000 607	Wear and Tear Part Set	690,00					

Please observe: Repairing, modifying and testing of electric tools are to be performed professionally. The safety regulations according to IEC, EN, VDE, AFNOR and other regulations of the individual countries are to be observed. Subject to change.

The price list supersedes all previous editions. Prices are subjected to change without any prior notice.

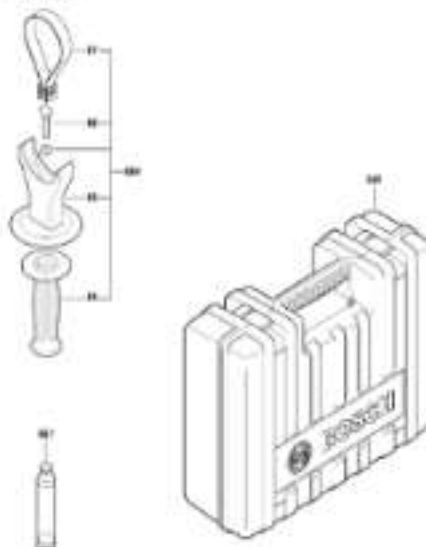

Model: 3 611 BGS 0F0 = 230

Item	Pc	Order no.	Description	LF in EUR	Item	Pc	Order no.	Description	LF in EUR
1	1	1 616 P07 734	Motor Housing	632,00	47	1	1 616 200 084	Gear Sleeve	127,00
2	1	1 616 P08 323	Field 230-240V	1,381,00	48	1	1 616 334 010	Clutch Sleeve	93,00
4	1	1 616 P10 326	Switch	1,111,00	81	1	1 616 P12 330	Crown Gear	1,035,00
5	1	1 616 P16 732	Power supply cord 230V	1,082,00	83	1	1 616 230 085	Support Disc	154,00
6	1	1 616 P07 722	Blommet	80,00	84	1	1 616 P11 329	Guide Bushing	400,00
7	1	1 601 302 016	Fastening Clamps	85,00	87	1	1 616 710 001	Striker	204,00
20	1	1 616 P10 164	Toolholder	2,201,00	89	1	1 616 004 004	Retaining Bracket	115,00
21	1	1 616 P07 324	Protective Cap	148,00	92	1	1 600 401 406	Stainless Dog Wheel	3,404,00
22	1	1 616 P10 190	Protection Sleeve	1,021,00	94	1	1 611 601 001	Guide Plate	77,00
25	2	1 616 P17 336	Stopping Device	314,00	95	1	1 616 P13 170	Handle	2,261,00
27	1	1 616 P07 736	Air-Deflector Ring	92,00	99	1	1 616 P11 734	Terminal Block	77,00
28	1	1 614 821 000	Compression Spring	75,00	99	2	1 613 426 316	Tooth Oval-Head Screws	84,00
29	1	1 616 P10 182	Bushing	391,00	99	1	1 616 P06 580	Speed governor	2,347,00
30	1	1 616 P10 182	Supporting Disc	101,00	99	1	1 616 P12 177	Handle Cover	1,000,00
31	1	1 616 P07 742	Supporting Disc	208,00	99	1	1 613 002 060	Auxiliary Handle MS	227,00
34	1	1 616 P10 182	Flange	110,00	84	1	1 616 P07 774	Substrat clamp	301,00
35	1	1 616 P10 187	Hammer Pipe	4,947,00	99	1	1 613 400 002	T-Head Bolt M2x40 MM	78,00
37	6	1 616 P10 377	Cylindrical Roller	70,00	97	1	1 616 P07 176	Cleaming Band	120,00
38	1	1 616 P10 193	Covering hood	742,00	84	1	1 613 102 088	Friction Washer	78,00
42	1	1 616 P07 764	Brush Holder	683,00	95	1	1 616 210 173	O-Ring 22,00x1,5 MM	43,00
43	1	1 616 P10 171	Fat Cover	691,00	97	1	1 616 021 008	Locking washer	119,00
44	1	1 616 P10 281	Compression Spring	102,00	99	1	1 616 100 080	Support Disc	78,00
45	1	1 616 428 070	Control Bushing	603,00	100	4	1 613 120 002	Driving Pin	87,00
46	1	1 616 P10 172	Perforated Ring	100,00	101	1	1 616 446 073	Retaining snap ring	160,00

Please observe: Repairing, modifying and testing of electric tools are to be performed professionally. The safety regulations according to IEC, EN, VDE, AFNOR and other regulations of the individual countries are to be observed. Subject to change.

The price list supersedes all previous editions. Prices are subject to change without any prior notice.

10-100 04
10-100 04
Fig. 100.2



Polishing wheels
Ball bearings
Additional spare
See instructions

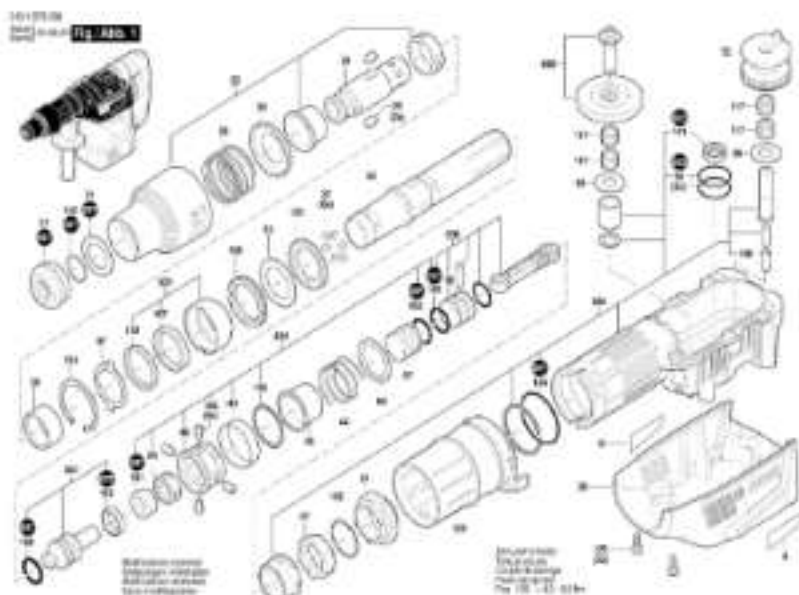
2 / 3

Model: 3 611 BGS 0F0 = 230

Item	Pc	Order no.	Description	LF in EUR	Item	Pc	Order no.	Description	LF in EUR
102	1	1 610 102 002	Shim 0.3 MM	33,00	185	1	1 610 210 170	O-Ring 22.0x4.0 MM	30,00
103	1	1 610 102 007	Shim 0.3 MM	33,00	187	1	1 610 283 033	Rotary shaft lip seal	101,00
104	1	1 610 210 180	O-Ring 22.0x2.0 MM	30,00	190	1	1 610 210 144	O-Ring 22.0x3.0 MM	30,00
111	1	1 610 200 054	Bushing	30,00	171	4	1 610 207 210	Torx Over-Head Screw	37,00
112	1	1 610 P10 175	Ring Magnet	232,00	172	4	1 610 435 013	Torx Over-Head Screw	48,00
113	2	1 610 435 008	Tapping Screw	60,00	173	1	1 610 611 010	Tapping Screw DIN	31,00
117	4	1 610 210 034	Needle-Roller Assembly	30,00	174	4	1 610 435 012	Torx Over-Head Screw	48,00
120	1	1 610 500 016	Stop sleeve	234,00	175	4	1 610 P00 228	Screw	111,00
126	2	1 610 435 014	Torx Over-Head Screw	30,00	176	2	1 610 435 012	Torx Over-Head Screw	48,00
128	1	2 610 211 016	Tapping Screw DIN	30,00	177	2	2 605 435 034	Torx Over-Head Screw	50,00
129	1	1 610 P10 131	Holding Sleeve	268,00	178	1	1 610 P10 280	Connecting Cable	190,00
130	1	1 610 P10 132	Cover	181,00	179	2	1 610 207 210	Screw	37,00
138	1	1 611 015 025	Sealing Frame	185,00	691	1	1 610 430 010	Grease Tube 30 ML	120,00
141	1	1 610 200 088	Rotary shaft lip seal	287,00	692	1	1 605 430 101	Carrying Case	
142	1	1 610 P10 106	Rotary shaft lip seal	143,00	803	1	1 610 P10 780	Armature 220-240V	3 205,00
143	1	1 614 801 021	Retaining ring DIN	58,00	803/13	1	1 610 500 028	groove ball bearing 8x24x8	230,00
146	1	1 610 110 012	Spring retaining ring	62,00	803/14	1	1 610 200 041	groove ball bearing	231,00
150	1	2 617 700 174	Socket Spring Pin	40,00	811	1	1 617 014 138	Carbon-Brush Set	397,00
154	1	2 610 500 023	Spring retaining ring DIN	57,00	817	2	1 614 802 004	Ball Spring	294,00
158	1	1 614 801 070	Retaining ring	60,00	821	1	1 610 P10 740	Bushing	1 030,00
160	1	1 610 200 095	Damping Ring	338,00	840	1	1 610 P10 770	Impact Mechanism	5 915,00
161	1	1 610 200 094	Damping Ring	320,00	841	1	1 610 P10 782	Striker Pin	1 029,00
162	1	1 610 210 204	O-Ring 22.0x3.0 MM	77,00	842	1	1 617 000 030	Control Fork	373,00
163	1	1 610 200 085	Seal Ring	188,00	854	1	1 610 P10 947	Guide Bushing	2 540,00

Please observe: Repairs, installation and testing of electric tools are to be performed professionally. The safety regulations according to IEC, EN, VDE, AFNOR and other regulations of the individual countries are to be observed. Subject to change.

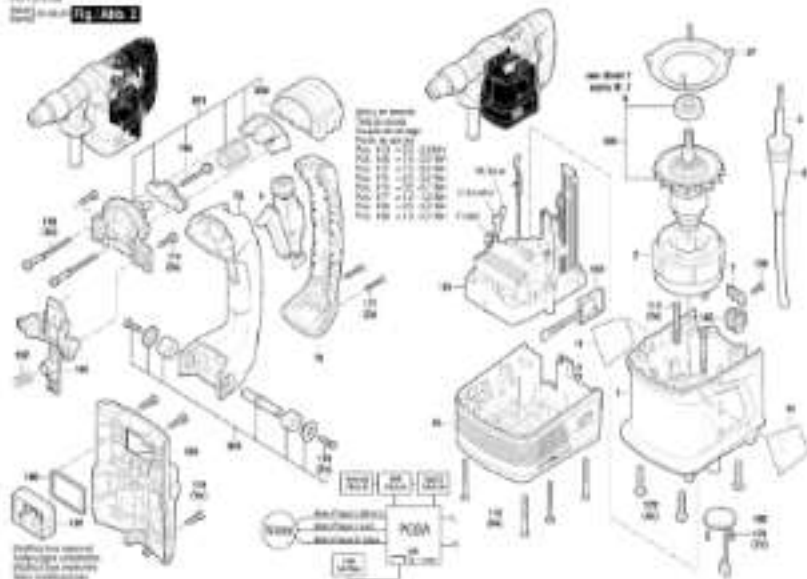
The price list supersedes all previous editions. Prices are subject to change without any prior notice.



Model: 3 611 B75 Q20										
Item	Pc	Order no.	Description	LF in EUR	Item	Pc	Order no.	Description	LF in EUR	
1	1	1 619 P60 700	Motor Housing	1 347,00	46	1	1 619 430 170	Control Bushing	600,00	
2	1	1 619 P60 800	Stator	2 035,00	49	1	1 619 P60 818	Perforated Ring	130,00	
4	1	1 619 P60 801	Switch	711,00	47	1	1 619 300 004	Gear Sleeve	127,00	
5	1	1 614 400 040	Power supply cord		48	1	1 619 234 212	Clutch Sleeve	30,00	
6	1	1 619 P67 122	Blommet	80,00	51	1	1 619 P12 530	Crown Gear	1 080,00	
7	1	1 601 300 010	Fastening Clamp	85,00	53	1	1 619 200 000	Support Disc	104,00	
8	1	1 619 P60 803	Nameplate		54	1	1 619 P11 100	Guide Bushing	400,00	
9	1	1 619 P60 811	Manufacturers nameplate		55	1	1 619 700 004	Hammer Piston	200,00	
10	1	1 619 P60 812	Sticker		57	1	1 619 710 001	Striker	304,00	
11	1	1 619 P60 813	Sticker		72	1	1 600 501 485	Eccentric Cog Wheel	3 454,00	
20	1	1 619 P60 814	Toolholder	881,00	74	1	1 619 P60 816	Guide Plate	107,00	
21	1	1 619 P67 020	Protective Cap	140,00	76	1	1 619 P60 820	Handle	1 377,00	
22	1	1 619 P10 100	Protection Sleeve	1 021,00	75	1	1 619 P60 821	Handle Cover	504,00	
23	2	1 619 P17 200	Stopping Device	314,00	79	2	1 619 430 110	Torx Over-Head Screw	34,00	
27	1	1 619 P60 815	Air-Deflector Ring	140,00	81	1	1 600 000 000	Auxiliary Handle	673,00	
28	1	1 614 521 000	Compression Spring	73,00	84	1	1 619 P07 174	Support Clamp	301,00	
30	1	1 619 P10 103	Gushing	301,00	86	1	1 619 400 000	T-Head Bolt M2x40 MM	70,00	
36	1	1 619 P10 102	Supporting Disc	101,00	87	1	1 619 P07 170	Cleaming Band	120,00	
37	1	1 619 P67 743	Supporting Disc	220,00	84	1	1 619 100 000	Friction Washer	70,00	
38	1	1 619 P14 800	Hammer Pipe	2 037,00	85	2	1 619 210 173	O-Ring 32,00x1,5 MM	40,00	
37	5	1 619 P10 317	Cylindrical Roller	70,00	87	1	1 619 021 000	Locking Washer	110,00	
38	1	1 619 P60 810	Covering hood	473,00	89	2	1 619 100 000	Support Disc	70,00	
42	1	1 619 P60 817	Fan Cover	607,00	100	4	1 619 120 000	Driving Pin	67,00	
44	1	1 619 P10 301	Compression Spring	100,00	101	1	1 619 P11 532	Retaining snap ring	200,00	

101 975 000
Handpiece
101 975 000

Fig. 100-1



2 / 3

Model: 3 611 B75 020

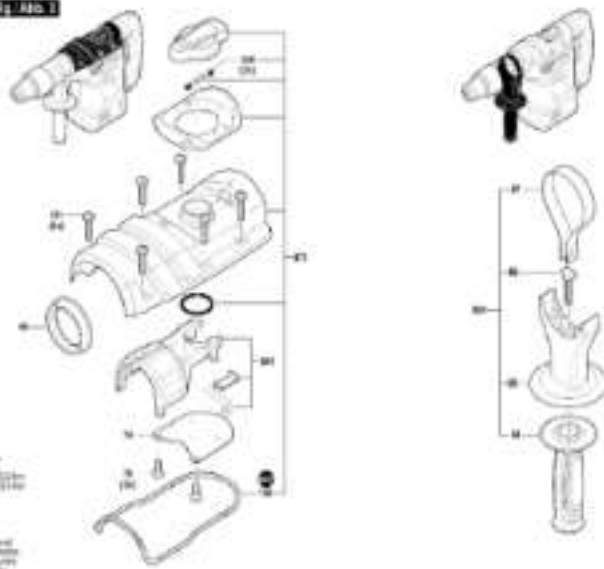
Item	Pc	Order no.	Description	Unit Price	Item	Pc	Order no.	Description	Unit Price
102	1	1 610 100 000	Shim 0.3 MM	50,00	156	1	1 610 210 144	O-Ring 22.0X2.0 MM	90,00
103	1	1 610 100 097	Shim 0.3 MM	50,00	171	8	1 610 426 010	Taxi Over-Head Screw	21,00
104	1	1 610 210 150	O-Ring 22.0X2.0 MM	90,00	172	4	1 610 426 013	Taxi Over-Head Screw	45,00
113	3	2 900 426 007	Tapping Screw	30,00	174	3	1 610 426 012	Taxi Over-Head Screw	45,00
117	4	1 610 P07 713	Needle-Roller Assembly	74,00	175	2	1 610 P00 220	Taxi Over-Head Screw	31,00
120	1	1 610 000 016	Stop Sleeve	334,00	177	2	1 610 P07 321	Screw SILVER	37,00
125	2	1 610 426 014	Taxi Over-Head Screw	90,00	180	1	1 610 P00 324	Electronic Module	716,00
126	1	2 003 460 022	Screw 4X16	20,00	181	1	1 610 P00 325	Electronic Module	1 100,00
128	1	1 610 P10 121	Holding Sleeve	262,00	182	1	1 610 P01 114	Electronic Module	1 620,00
138	1	1 610 P10 251	Sealing Frame	50,00	183	1	1 610 P00 326	Electronic Module	894,00
141	1	1 610 P00 322	Rotary shaft lip seal	422,00	183	1	1 610 P00 327	Module	894,00
142	1	1 610 P10 106	Rotary shaft lip seal	140,00	185	1	1 610 P11 756	Terminal Block	77,00
143	1	1 614 501 321	Retaining ring DIN	50,00	186	1	1 610 P00 328	Sealing Pedestal	391,00
180	1	2 917 190 174	Slotted Spring Pin	40,00	187	1	1 614 911 010	Compression Spring	20,00
184	1	2 916 860 020	Spring retaining ring DIN	87,00	188	2	1 610 426 016	Taxi Over-Head Screw	54,00
188	1	1 614 501 010	Retaining ring	50,00	195	1	1 610 426 019	Screw and washer	50,00
189	1	1 610 320 028	Damping Ring	333,00	192	1	1 610 P00 329	Control Lever	191,00
191	1	1 610 402 048	Damping Ring	240,00	200	1	1 610 324 000	Belious	200,00
192	1	1 610 210 204	O-Ring 22.0X3.5 MM	77,00	O-Ring	1	1 610 P00 501	Rotor	1 210,00
193	1	1 610 320 058	Seal Ring	108,00	021	1	1 610 P13 740	Gushing	1 030,00
194	2	303 230 011	Ball DIN 54016 G28	30,00	025	1	1 610 P00 512	Sealing Shaft	300,00
198	1	1 610 210 078	O-Ring 22.0X4.0 MM	90,00	040	1	1 610 P00 602	Impact Mechanism	4 142,00
199	1	1 610 P00 323	Sealing Ring	90,00	041	1	1 610 P00 603	Striker Pin	1 230,00
197	1	1 610 323 033	Rotary shaft lip seal	101,00	044	1	1 617 000 636	Control Fork	972,00

Please observe: Repairing, modifying and testing of sealed-coils are to be performed professionally. The safety regulations according to IEC, EN, VDE, AFNOR and other regulations of the individual countries are to be observed. Subject to change.

The price list supersedes all previous editions. Prices are subject to change without any prior notice.

3 611 B7S Q20
Reparatursatz
Zusammenbau

(14 Abb. 1)



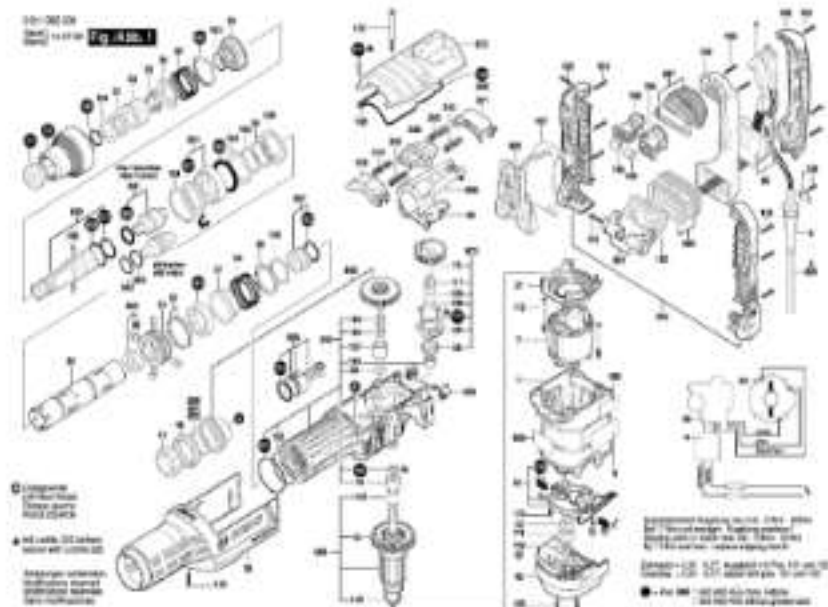
Bitte beachten:
Die Reparatur sollte
von geschultem Personal
durchgeführt werden.
Bitte lesen Sie die
Bedienungsanleitung.

Bitte nur originale
Ersatzteile verwenden.
Für weitere Hinweise
siehe Bedienungsanleitung.

2/3

Model: 3 611 B7S Q20 = EU

Item	Pc	Order no.	Description	LF in EUR	Item	Pc	Order no.	Description	LF in EUR
354	1	1 616 P60 204	Guide Bushing	1,091,00					
355	1	1 616 P60 205	Hammer Piston	624,00					
356	1	1 616 P10 791	Spur Wheel Clutch	3,021,00					
373	1	1 616 P60 206	Housing Cover	1,720,00					
394	1	1 616 P60 207	Auxiliary Handle	509,00					
391	1	1 616 P60 211	Spring Pack	712,00					
397	1	1 616 P60 208	Wear and Tear Part Set						



Model: 3 611 B65 0F0 = 230

Item	Pc	Order no.	Description	LF in EUR	Item	Pc	Order no.	Description	LF in EUR
1	1	1 615 102 185	Motor Housing	1 515,00	44	1	1 615 821 020	Compression Spring	187,00
2	1	1 614 220 124	Field 220-240V	1 710,00	45	1	1 615 591 552	Holding-Down-Apparatus	97,00
4	1	1 617 200 130	Switch	1 850,00	47	1	1 615 300 078	Gear Sleeve	440,00
5	1	1 616 P16 305	Power supply cord		48	1	1 615 220 177	Clutch Sleeve	514,00
6	1	1 615 103 050	Strommel Ø5,7-Ø12x65	87,00	52	1	1 615 224 015	Retaining snap ring	50,00
7	1	1 601 302 016	Fastening Clamp	61,00	54	1	1 600 601 024	Spacer Tube	220,00
8	2	1 601 110 017	Manufacturer's nameplate		55	1	1 615 317 820	Cylindrical Gear	593,00
12	1	1 615 800 020	groove ball bearing 62x40x23	220,00	59	1	1 615 305 074	Bearing Pedestal	540,00
14	1	1 615 810 028	Needle-Roller Bearing	603,00	70	1	1 615 217 060	Stainless Cog Wheel	1 018,00
15	1	1 616 810 109	Fan	530,00	80	1	1 607 233 992	Speed governor	3 328,00
21	1	1 615 803 038	Protective Cap	102,00	94	1	1 602 028 079	Auxiliary Handle	509,00
22	1	1 615 821 021	Protection Sleeve	474,00	95	1	1 615 040 028	Support clamp	402,00
23	1	1 615 520 038	Stop Sleeve	719,00	94	1	1 615 226 111	Supporting Disc	148,00
24	1	1 615 800 022	Headed Bush	375,00	98	4	1 615 120 023	Driving Pin	204,00
25	2	1 615 300 027	Stopping Device	640,00	99	1	1 615 131 016	Shim ring 1,0 MM THICK	41,00
26	1	1 605 401 016L	Indicating Disk	285,00	99	1	1 600 220 026	Backup ring	162,00
27	1	1 600 521 02C	Air-Deflector Ring	132,00	104	1	1 615 160 027	Stop Disc	184,00
28	1	1 614 521 010	Compression Spring	92,00	110	1	1 615 190 075	Seal Ring	47,00
31	1	1 615 220 126	Demolish Ring	124,00	111	1	1 615 226 048	Bushing	50,00
35	1	1 615 808 048	Hammer Pipe	5 545,00	112	1	1 615 300 027	Hex Nut	92,00
37	1	1 615 320 018	Control Bushing	695,00	113	2	1 613 412 001	Teasing Screw B 4 X358	44,00
38	1	1 615 190 177	Covering hood	2 202,00	118	1	1 615 200 088	Bushing	307,00
42	1	1 614 320 020	Brush Holder	1 615,00	118	2	1 615 213 020	Needle-Roller Assembly	148,00
43	1	1 615 505 426	Brush-Cover	423,00	117	1	1 615 213 023	Needle-Roller Assembly	440,00

3 611 B05 0F0
3 611 B05 0F0 | **Fig. 4.30.3**

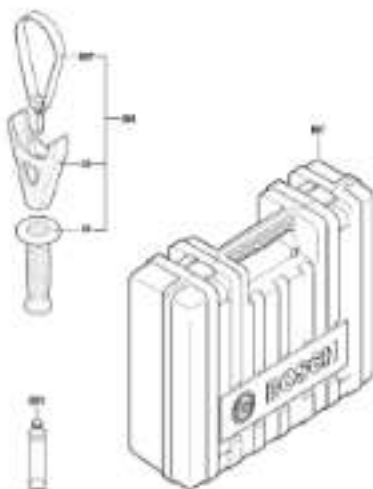


Illustration without
fasteners shown
for clarity

2 / 3

Model: 3 611 B05 0F0 = 230

Item	Pc	Order no.	Description	LF in EUR	Item	Pc	Order no.	Description	LF in EUR
112	1	1 610 210 021	Needle-Roller Bearing	48,00	155	1	1 610 208 027	Pecking Washer	33,00
120	1	1 610 100 080	Spacer Tube	383,00	171	4	1 610 414 028	Torx socket button screw	50,00
122	1	1 610 200 128	Spacer Ring	187,00	172	4	1 610 428 041	Torx Over-Head Screw	37,00
125	10	1 610 425 040	Torx Over-Head Screw	40,00	175	4	2 603 420 021	Torx Over-Head Screw	31,00
126	1	2 603 460 023	Torx Over-Head Screw	31,00	189	1	1 610 133 038	Handle	1.173,00
127	1	1 610 300 076	Bushing	195,00	190	1	1 610 800 438	Handle Cover	912,00
129	1	1 610 300 080	Bushing	187,00	192	1	1 614 911 028	Rocker Foot	203,00
138	1	1 611 018 054	Sealing Frame	224,00	194	1	1 610 086 018	Screw Plate	129,00
142	1	1 610 200 112	Rotary shaft lip seal	181,00	195	1	1 610 088 018	Screw Plate	129,00
143	1	1 614 801 071	Retaining ring	50,00	198	2	1 610 028 004	Damping rubber	48,00
144	1	1 610 100 028	Supporting Disc	185,00	197	1	1 610 233 000	Leaf Spring	488,00
161	1	1 610 210 022	O-Ring	40,00	204	1	1 610 100 182	Rear Housing Section	802,00
162	1	1 614 801 073	Retaining ring	50,00	205	1	1 612 308 008	Holding strip	41,00
163	1	2 618 940 017	Retaining ring DIN T992 A	31,00	240	1	800 400 083	Counterweight	427,00
164	1	2 618 950 027	Spring retaining ring DIN	182,00	241	1	1 616 130 181	Guide Piece	88,00
165	2	1 614 801 074	Retaining ring	50,00	242	1	1 616 190 182	Guide Piece	88,00
167	1	1 610 210 100	O-Ring 33,0x2,0 MM	113,00	243	4	1 614 801 018	Compression Spring	48,00
168	1	1 610 210 024	O-Ring	50,00	691	1	1 616 430 110	Grease Tube 30 ML	120,00
180	1	1 610 210 245	O-Ring	128,00	692	1	1 610 438 114	Carrying Case	
181	1	1 610 210 227	Damping Ring	421,00	801	1	1 610 100 028	Shim 0,45 MM	60,00
182	2	600 210 080	O-Ring	185,00	802	1	1 610 100 028	Shim 0,30 MM	47,00
188	1	1 610 200 128	Seal Ring	703,00	803	1	1 614 010 257	Armature 230V	7.773,00
189	8	1 610 300 020	Cylindrical Roller	110,00	804	1	1 601 114 146	Hammer	
197	1	1 610 200 124	Rotary shaft lip seal	144,00	810	1	1 617 014 146	Carbon-Brush Set	733,00

Please observe: Repairing, modifying and testing of electric tools are to be performed professionally. The safety regulations according to IEC 61110, IEC 61014 and other regulations of the individual countries are to be observed. Subject to change.

The price list supersedes all previous editions. Prices are subject to change without any prior notice.

3 611 B05 0F0
3 611 B05 0F0 | 80 **Fig. 4.36.3**

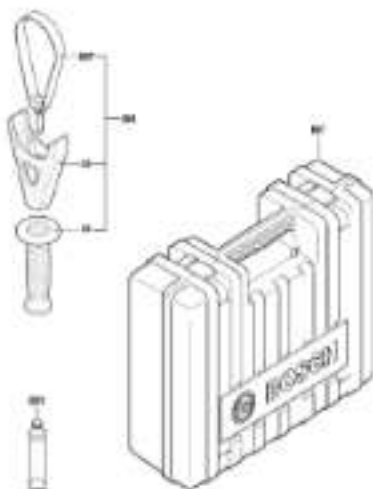


Illustration without
Batteries and
Accessories

3 / 3

Model: 3 611 B05 0F0 = 230

Item	Pc	Order no.	Description	LF in EUR	Item	Pc	Order no.	Description	LF in EUR
320	1	1 610 007 100	Toolholder	7,415,00					
321	1	1 610 008 050	Plain bearing	1,173,00					
340	1	1 617 000 420	Impact Mechanism	10,487,00					
341	1	1 617 000 344	Striker Pin	2,210,00					
342	1	1 617 000 431	Control Fork	1,004,00					
353	1	1 610 031 004	Guide Bushing	1,637,00					
355	1	1 617 000 432	Hammer Piston	2,051,00					
357	1	1 617 000 432	Striker	1,487,00					
380	1	1 607 000 004	Sour Wheel Clutch	2,032,00					
383	1	1 610 210 220	O-Ring	95,00					
372	1	1 617 000 430	Eccentric	5,320,00					
373	1	1 617 000 430	Housing Cover	2,480,00					
384	1	1 610 020 004	Auxiliary Handle	2,587,00					
387	1	1 617 000 007	Clamping Band Ø87 MM	213,00					
391	1	1 610 000 000	Rocker Arm	733,00					
392	1	1 610 020 004	Drill Bit	1,610,00					
397	1	1 610 410 000	Bellevue	2,477,00					
398	1	1 610 410 004	Bellevue	2,487,00					
399	1	1 600 400 400	Service package	3,210,00					

Please observe: Repairing, modifying and testing of electric tools are to be performed professionally. The safety regulations according to IEC 611, VDE, AFNOR and other regulations of the individual countries are to be observed. Subject to change.

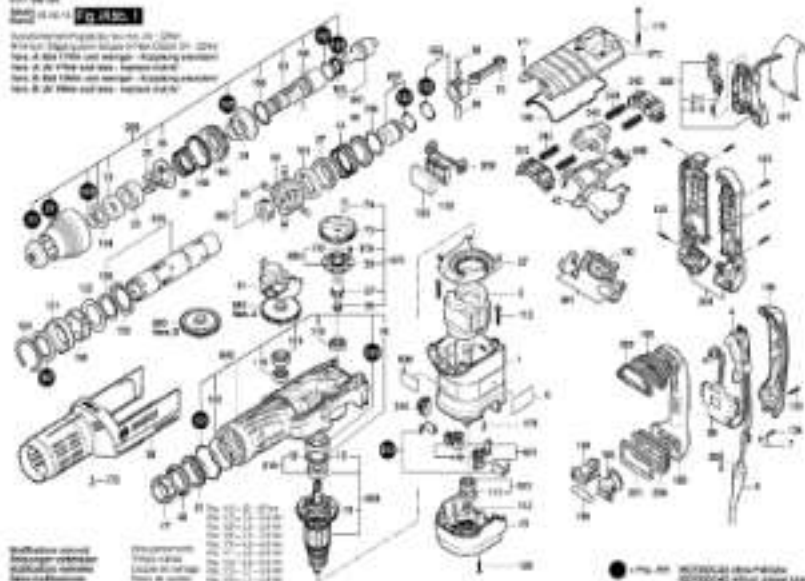
The price list supersedes all previous editions. Prices are subject to change without any prior notice.

000 98 99 00

000 98 99 00

Fig. 1/20

Reparaturanleitung für GBH 12-52 DV
Für ein: Reparatur für ein GBH 12-52 DV
Für 4: Bei 1/16 Zoll Bohrer - Adapterbohrer
Für 6: Bei 1/8 Zoll Bohrer - Adapterbohrer
Für 8: Bei 1/4 Zoll Bohrer - Adapterbohrer
Für 8: Bei 3/8 Zoll Bohrer - Adapterbohrer



Werkzeuge prüfen
Vor dem Einsatz
Werkzeuge prüfen
Vor dem Einsatz

Werkzeuge prüfen
Vor dem Einsatz
Werkzeuge prüfen
Vor dem Einsatz

● 1/16 Zoll Bohrer
● 1/8 Zoll Bohrer
● 1/4 Zoll Bohrer
● 3/8 Zoll Bohrer

1 / 3

Model: 3 611 B0G 0F0

Item	Pc	Order no.	Description	LF in EUR	Item	Pc	Order no.	Description	LF in EUR
1	1	1 616 102 172	Motor Housing	1,200,00	48	1	1 610 200 170	Clutch Sleeve	378,00
2	1	1 614 220 23F	Field 230V	3,120,00	49	1	1 610 333 063	Crown Gear	3,225,00
4	1	1 617 200 130	Switch	1,050,00	54	1	1 600 400 210	Spacer Tube	170,00
6	1	1 610 700 063	Grommet Ø9,7-Ø12X16	67,00	60	1	1 616 306 070	Bearing Pedestal	400,00
7	1	1 601 302 018	Featuring Clutch	45,00	61	1	1 600 400 156	grease distributor	150,00
9	1	1 601 110 434	Manufacturer's nameplate		66	1	1 600 210 248	Rubber Ring	110,00
15	1	1 616 610 114	Fan	367,00	67	1	1 600 400 016	Eccentric Shaft	565,00
16	1	1 600 400 180	Clamp ring	85,00	68	1	1 600 400 15F	Pickup Clip	114,00
20	1	1 616 007 108	Toolholder	7,010,00	69	1	1 613 100 240	Platen Pin	140,00
21	1	1 600 400 140	Protective Cap	195,00	70	1	1 600 400 176	Connecting Rod	608,00
22	1	1 610 501 034	Protection Sleeve	302,00	72	1	1 610 317 022	Eccentric Cog Wheel	1,038,00
23	1	1 610 020 007	Stop Sleeve	677,00	74	1	1 600 400 03T	Eccentric Bolt	140,00
24	1	1 610 500 026	Heated Bush	314,00	80	1	1 607 221 421	Speed governor	3,172,00
25	2	1 610 300 028	Stopping Device	394,00	84	1	1 600 028 074	Auxiliary Handle	600,00
26	1	1 610 300 027	Interaxial Disk	126,00	85	1	1 618 040 027	Support Clamp	220,00
27	1	1 606 501 026	Air-Deflector Ring	91,00	87	1	1 611 516 036	Clamping Band	297,00
28	1	1 614 821 017	Compression Spring	175,00	88	4	1 613 100 028	Driving Pin	120,00
31	1	1 610 260 123	Damping Ring	176,00	90	1	1 600 400 580	Supporting Disc	374,00
37	1	1 610 322 016	Control Bushing	327,00	111	1	1 610 001 027	Bushing	140,00
38	1	1 616 100 108	Covering hood	1,600,00	112	1	1 613 300 009	Hex Nut	110,00
43	1	1 616 500 447	Bush-Cover	450,00	113	2	1 603 436 074	Tox Over-Head Screw	40,00
44	1	1 614 821 018	Compression Spring	179,00	118	1	1 600 208 028	groove ball bearing	320,00
45	1	1 610 621 062	Holding-Down-Apparatus	95,00	119	2	1 600 200 041	groove ball bearing	140,00
47	1	1 610 300 032	Gear Sleeve	327,00	120	1	1 610 190 078	Spacer bushing	216,00

Please observe: Repairing, modifying and testing of electric tools are to be performed professionally. The safety regulations according to IEC, EN, VDE, AFNOR and other regulations of the individual countries are to be observed. Subject to change. The price list supersedes all previous editions. Prices are subject to change without any prior notice.

601 929 000
 601 929 000 | **Fig. 1/30-2**

 Additional material
 information available
 on the internet
 www.bosch.com

2 / 3

Model: 3 E11 B06 0F0

Item	Pc	Order no.	Description	LF in EUR	Item	Pc	Order no.	Description	LF in EUR
121	1	1 612 205 030	Plain bearing	740,00	167	1	1 610 220 124	Rotary shaft (to see)	224,00
122	1	1 612 205 122	Spacer Ring	187,00	168	1	1 600 400 130	Seal Ring	132,00
123	10	1 612 428 040	Torx Over-Head Screws	40,00	170	3	1 600 400 150	Torx socket button screw	40,00
124	1	2 612 420 020	Torx Over-Head Screw	31,00	171	2	1 612 414 020	Torx socket button screw	60,00
125	1	1 612 502 440	Cover	65,00	172	4	1 612 426 041	Torx Over-Head Screws	57,00
126	1	1 612 208 018	Felt	64,00	173	1	1 612 426 024	Torx Over-Head Screw	48,00
128	1	1 611 015 026	Sealing Frame	220,00	175	2	1 603 426 070	Torx Over-Head Screws	74,00
141	1	1 612 220 118	Shaft Seal	228,00	189	1	1 615 132 028	Handle	1 170,00
142	1	1 614 801 071	Retaining ring	47,00	190	1	1 618 800 428	Handle Cover	910,00
144	1	1 610 101 020	Supporting Disc	229,00	192	1	1 614 811 028	Rocker Foot	200,00
151	1	1 612 210 226	O-Ring	148,00	194	1	1 600 400 130	Screw Plate	67,00
162	1	1 614 801 022	Retaining ring	32,00	196	1	1 600 400 130	Screw Plate	67,00
163	1	2 612 540 018	Retaining ring O/R	35,00	198	1	1 600 400 290	Damping rubber	148,00
164	1	2 612 600 040	Spring retaining ring O/R	49,00	197	1	1 615 220 020	Leaf Spring	400,00
165	1	1 614 801 080	Spring retaining ring	36,00	199	1	1 610 224 010	Bellows	284,00
166	1	1 602 160 016	Spring retaining ring	254,00	200	1	1 610 224 010	Bellows	284,00
167	1	1 612 210 226	O-Ring	148,00	201	1	1 610 226 010	Clamping element	148,00
168	1	1 612 210 226	Rubber Ring	148,00	202	1	1 610 226 010	Clamping element	148,00
169	1	1 612 210 240	Damping Ring	220,00	204	1	1 615 102 194	Rear Housing Section	708,00
169	1	1 612 210 241	Damping Ring	660,00	208	1	1 612 326 027	Retaining Part	62,00
162	2	1 612 210 227	O-Ring	178,00	211	1	1 600 400 348	Nut	148,00
163	2	1 612 210 242	Seal Ring	684,00	212	2	1 614 801 010	Compression Spring	74,00
165	1	1 600 400 010	Seal Fastener	142,00	240	1	1 600 400 010	Counterweight	747,00
166	3	1 612 200 022	Cylindrical Roller	65,00	242	2	1 615 190 107	Guide Piece	94,00

Please observe: Repairs, installation and testing of electric tools are to be performed professionally. The safety regulations according to IEC 611, VDE, AFNOR and other regulations of the individual countries are to be observed. Subject to change.

The price list supersedes all previous editions. Prices are subject to change without any prior notice.

Page 78 of 277

3 611 B0G 0F0
 3 611 B0G 0F0 | **Fig. 1/30**

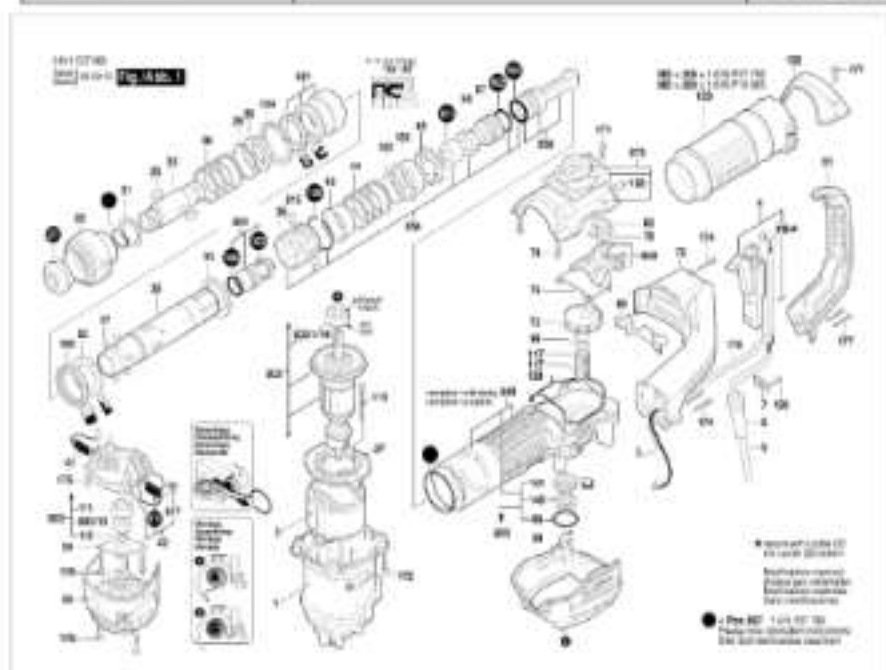
 Bildnachweise beachten!
 Bildnachweise beachten!
 Bildnachweise beachten!

3 / 3

Model: 3 611 B0G 0F0											
Item	Pc	Order no.	Description	LF in EUR	Item	Pc	Order no.	Description	LF in EUR		
342	4	1 614 821 016	Compression Spring	63,00	345	1	1 607 000 04F	Diaphragm	1 334,00		
344	1	1 616 400 134	Plug Housing	74,00	346	1	1 607 000 04B	Service package	3 236,00		
351	1	1 616 430 708	Carrying Case								
353	1	1 607 000 03F	Armature assembly 130V	2 264,00							
355	1	1 616 P15 885	Power supply cord								
358	1	1 601 114 348	Nameplate								
310	1	1 607 000 032	Carbon-Brush Set	630,00							
312	1	1 607 000 040	groove ball bearing	1 179,00							
314	1	1 607 000 041	groove ball bearing	1 380,00							
320	1	1 607 000 042	Tool Holder Set	10 089,00							
321	1	1 607 000 05H	Brush Holder	1 087,00							
326	1	1 607 000 043	Hammer Pipe	6 633,00							
340	1	1 607 000 044	Impact Mechanism	12 242,00							
341	1	1 607 000 045	Striker Pin	2 241,00							
342	1	1 607 000 046	Control Fork	742,00							
353	1	1 607 000 047	Guide Bushing	2 380,00							
355	1	1 607 000 048	Hammer Piston	1 482,00							
357	1	1 607 000 049	Striker	2 096,00							
358	1	1 607 000 049	Sealing Pedestal	2 182,00							
360	1	1 607 000 049	Spur Wheel Clutch	7 703,00							
372	1	1 607 000 040	Eccentric	6 688,00							
373	1	1 607 000 040	Housing Cover	2 873,00							
384	1	1 607 000 046	Auxiliary Handle	2 170,00							
391	1	1 612 069 055	Rocker Arm	735,00							

Please observe: Repairing, modifying and testing of electro-tools are to be performed professionally. The safety regulations according to IEC, EN, VDE, AFNOR and other regulations of the individual countries are to be observed. Subject to change.

The price list supersedes all previous editions. Prices are subject to change without any prior notice.



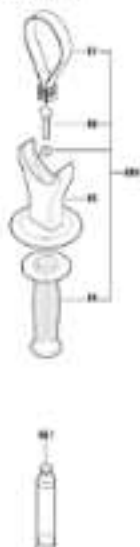
Model: 3 611 C37 0F0 = 230

Item	Pc	Order no.	Description	LF in EUR	Item	Pc	Order no.	Description	LF in EUR
1	1	1 610 P07 734	Motor Housing	532,00	62	1	1 610 P07 738	Strip Sleeve	242,00
2	1	1 610 P08 379	Field 230-240V	1.501,00	63	1	1 610 P07 740	Supporting Disc	61,00
3	1	1 610 P07 720	Switch	1.177,00	64	1	1 610 231 001	Outer Bushing	610,00
4	1	1 610 P16 735	Power supply cord 230V	1.062,00	67	1	1 610 P07 762	Striker	1.032,00
5	1	1 610 P07 722	Blommet	80,00	69	1	1 610 098 004	Retaining Bracket	118,00
6	1	1 610 302 010	Fastening Clamps	65,00	74	1	1 610 P07 772	Outer Plate	37,00
21	1	1 610 P07 620	Protective Cap	145,00	75	1	1 610 P07 768	Handle	597,00
22	1	1 610 P07 734	Protection Sleeve	265,00	76	2	1 610 P07 780	Magnet	141,00
23	2	1 610 P17 285	Stopping Device	314,00	79	2	1 610 430 210	Two Oval-Head Screws	64,00
27	1	1 610 P07 736	Air-Deflector Ring	95,00	81	1	1 610 P07 760	Handle Cover	590,00
28	1	1 614 621 000	Compression Spring	73,00	82	1	1 610 P07 780	Support bracket	21,00
29	1	1 610 P10 622	Washer	32,00	84	1	1 610 030 080	Auxiliary Handle MS	227,00
30	1	1 610 P07 715	Supporting Disc	259,00	85	1	1 610 P07 774	Support clamp	351,00
31	1	1 610 P07 742	Supporting Disc	228,00	88	1	1 610 480 002	T-Head Bolt M6X40 MM	75,00
33	1	1 610 P07 743	Toolholder	1.613,00	87	1	1 610 P07 778	Clamping Band	120,00
34	1	1 610 210 013	Flange	65,00	89	1	1 610 210 173	O-Ring 22,0x1,3 MM	48,00
35	1	1 610 P07 734	Hammer Pipe	2.667,00	90	1	1 610 101 210	Shim ring 1,5 MM THICK	41,00
36	1	1 610 P07 762	Intermediate Sleeve	124,00	101	1	1 610 234 009	Retaining ring	57,00
37	0	1 610 P07 745	Cylindrical Roller	31,00	102	1	1 610 P07 781	Bushing	438,00
38	1	1 610 P07 710	Covering hood BLUE	614,00	104	1	1 610 P07 740	O-Ring	115,00
42	1	1 610 P07 784	Bush Holder	683,00	106	4	1 610 P07 745	Driving Pin	228,00
43	1	1 610 P07 711	Fan Cover BLACK	487,00	111	1	1 610 280 054	Bushing	30,00
46	1	1 610 P07 768	Control Bushing	430,00	112	1	1 610 300 008	Hex Nut DIN 934-M6X1-3	42,00
48	1	1 610 P07 760	Clutch Sleeve	250,00	113	2	1 610 430 009	Tepping Screw	52,00

Please observe: Repairing, modifying and testing of electro-tools are to be performed professionally. The safety regulations according to IEC, EN, VDE, AFNOR and other regulations of the individual countries are to be observed. Subject to change.

The price list supersedes all previous editions. Prices are subject to change without any prior notice.

3 611 C27 0F0
3 611 C27 0F0 | BO
Fig. 146. 2



Substituere erstatnings-
delarna med original-
delarna när det gäller
delnummerna.

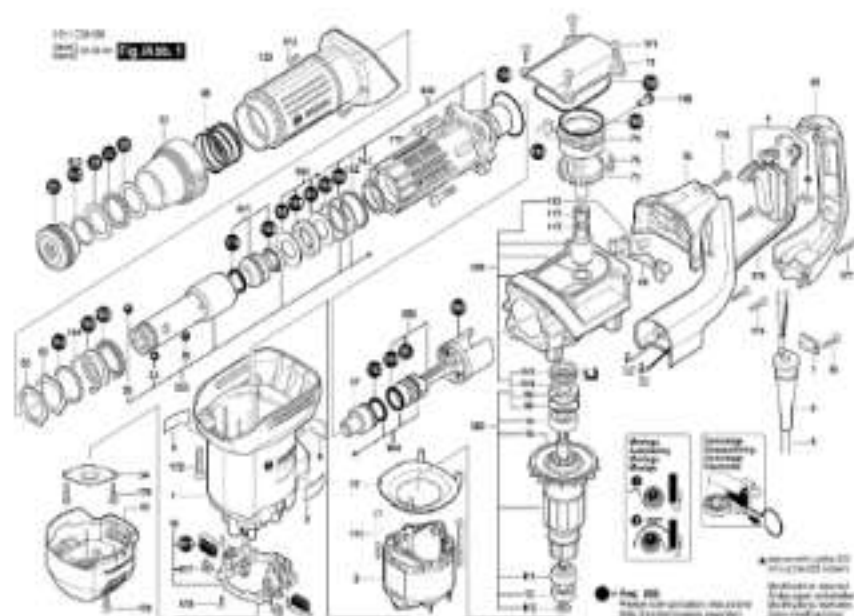
2 / 3

Model: 3 611 C27 0F0 = 230

Item	Pc	Order no.	Description	LF in EUR	Item	Pc	Order no.	Description	LF in EUR
117	2	1 619 P07 713	Needle-Roller Assembly	74,00	122	1	1 619 P03 262	Felt Seal	33,00
128	1	2 616 211 016	Tapping Screw DIN	32,00	001	1	1 616 436 010	Grease Tube 30 ML	130,00
129	1	1 619 P10 085	Holding Sleeve	480,00	001	1	1 605 436 101	Carrying Case	
130	1	1 619 P07 728	Cover	211,00	003	1	1 619 P07 761	Armature 220-240V	4 677,00
136	1	1 619 P07 797	Sealing Frame	182,00	003/014	1	1 610 205 541	groove ball bearing	231,00
141	1	1 619 200 088	Rotary shaft lip seal	287,00	003/02	1	1 610 200 028	groove ball bearing BK24X2	220,00
142	1	1 614 601 021	Retaining ring O-Ring	52,00	011	1	1 617 014 138	Carbon-Brush Set	387,00
148	1	1 619 119 012	Spring retaining ring	92,00	015	1	1 619 P12 732	Driving Pin	228,00
164	1	1 619 P07 801	Oil	212,00	017	2	1 614 602 004	Spring	224,00
168	1	1 619 P07 751	Retaining ring	31,00	018	2	2 610 011 382	Socket head cap screw	72,00
180	1	1 619 P07 808	Damping Ring	279,00	021	1	1 619 P07 783	Bushing	1 038,00
181	1	1 619 200 093	Damping rubber	87,00	040	1	1 619 P13 687	Impact Mechanism	6 371,00
182	1	1 616 210 291	O-Ring 24 OX4.0 MM	105,00	041	1	1 619 P07 235	Striker	1 181,00
183	1	1 619 200 088	Seal Ring	188,00	046	1	1 619 P07 788	Control Fork	176,00
185	1	1 616 210 183	O-Ring 26 OX4.0 MM	34,00	054	1	1 619 P07 773	Guide Bushing	768,00
188	1	1 616 210 144	O-Ring 22 OX3.0 MM	45,00	055	1	1 619 P07 775	Hammer Piston	783,00
171	4	1 619 P07 218	Torx Over-Head Screw	37,00	072	1	1 619 P07 780	Housing Cover	1 274,00
172	4	1 613 436 013	Torx Over-Head Screw	48,00	084	1	1 619 P07 778	Auxiliary Handle	834,00
174	4	1 613 436 012	Torx Over-Head Screw	48,00	087	1	1 619 P07 783	Wear and Tear Part Set	1 420,00
175	4	1 619 P03 228	Screws	111,00					
176	2	1 613 436 012	Torx Over-Head Screw	48,00					
177	2	2 603 460 034	Torx Over-Head Screw	80,00					
178	1	1 600 400 290	Connecting Cable	228,00					
179	2	1 619 P07 812	Screw	37,00					

Please observe: Repairing, modifying and testing of electric tools are to be performed professionally. The safety regulations according to IEC 61110, IEC 61034 and other regulations of the individual countries are to be observed. Subject to change.

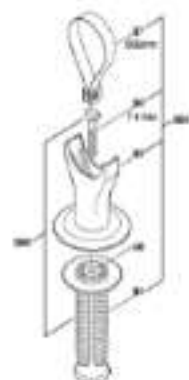
The price list supersedes all previous editions. Prices are subject to change without any prior notice.



Model: 3 611 C35 6F0 = 220

Item	Pc	Order no.	Description	LP in EUR	Item	Pc	Order no.	Description	LP in EUR
1	1	1 610 P10 301	Motor Housing	691,00	66	1	1 610 230 587	Retaining snap ring	52,00
2	1	1 610 P14 777	Field 230V	1.190,00	67	1	1 610 P17 060	Striker	170,00
3	1	1 610 P03 794	Switch	400,00	68	1	1 610 200 504	Retaining Bracket	110,00
5	1	1 610 P16 733	Power supply cord 230V	1.032,00	70	1	1 610 P00 330	Eccentric Cog Wheel	714,00
6	1	1 610 T03 053	Blommet Ø5,7-Ø12x30	67,00	71	1	1 610 P14 241	Housing Cover	305,00
7	1	1 601 302 016	Fastening Clamps	65,00	74	1	1 610 P14 401	Holding-Cover-Apppliance	70,00
8	1	1 610 P16 116	Nameplate		75	1	1 610 P08 778	Handle	388,00
9	2	1 610 P13 296	Manufacturers nameplate		76	1	1 613 426 210	Tox Overhead Screw	34,00
12	1	1 610 300 028	groove ball bearing 6324X3	220,00	81	1	1 610 P08 780	Handle Cover	108,00
14	1	1 610 905 041	groove ball bearing	231,00	84	1	1 612 025 060	Auxiliary Handle M6	227,00
18	1	1 610 010 088	Fan	144,00	85	1	1 610 040 074	Support clamp	160,00
19	1	1 610 P14 485	Brush Holder	690,00	88	1	1 613 430 002	T-Head Bolt M2x60 MM	78,00
19	1	2 610 211 016	Tapping Screw DIN	32,00	87	1	1 611 516 016	Clamping Band Ø62 MM	123,00
21	1	1 610 P14 430	Dust Cap	147,00	88	2	1 610 210 173	O-Ring 32,00x1,5 MM	40,00
22	1	1 610 P08 750	Protection Sleeve	408,00	104	2	1 610 P08 780	Seal Ring	58,00
22	5	1 603 230 018	Bolt 10 MM H DIN 9401BT	134,00	111	1	1 610 220 004	Bushing	50,00
27	1	1 610 P02 017	Air-Deflector-Ring	67,00	112	1	1 613 300 008	Hex Nut DIN 934-M20x1,6	40,00
28	1	1 610 P08 754	Compression Spring	66,00	113	2	1 613 426 000	Tapping Screw	50,00
30	2	1 610 P08 790	Supporting Disc	66,00	117	2	1 610 213 004	Needle-Roller Assembly	30,00
32	1	1 610 P08 781	Damping Ring	38,00	120	1	1 610 P13 302	Cover Sleeve	205,00
34	1	1 610 910 013	Flange	26,00	136	1	1 610 P08 788	Sealing Frame	50,00
42	1	1 610 P08 787	Fan Cover	208,00	141	1	1 610 230 088	Rotary shaft lip seal	207,00
63	2	1 610 P14 603	Washer	67,00	143	1	1 610 P08 792	Retainer	60,00
64	1	1 610 P08 793	Stop Disc	42,00	145	1	1 610 116 212	Spring retaining ring	52,00

3 611 C3S 6F0
3 611 C3S 6F0 | BO



Best results are achieved when using the following maintenance products:

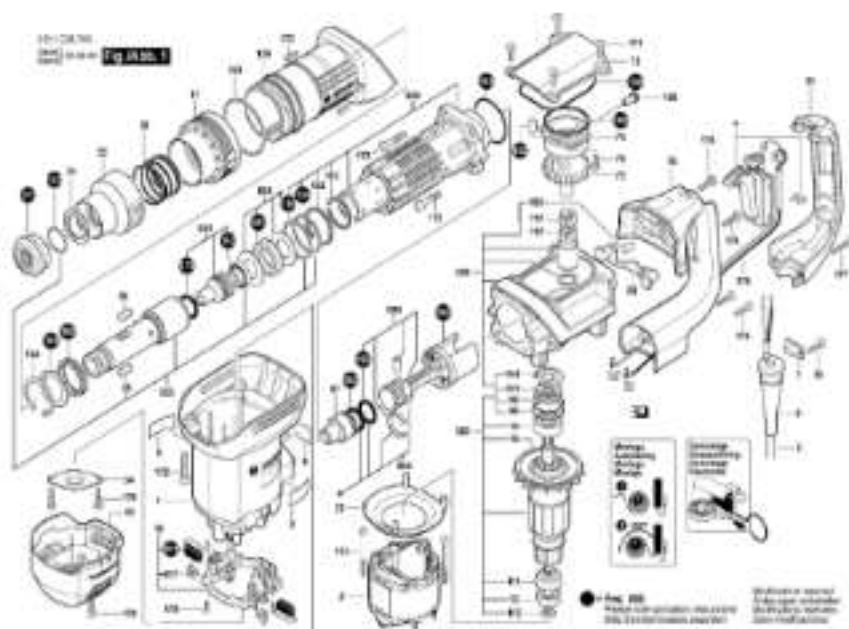
2 / 3

Model: 3 611 C3S 6F0 = 220

Item	Pc	Order no.	Description	LF in EUR	Item	Pc	Order no.	Description	LF in EUR
151	1	1 619 P14 454	Stop Disc	73,00	153	1	1 619 P03 262	Felt Seal	33,00
152	1	1 619 P14 453	Retaining ring	87,00	203	1	1 619 P16 112	Armature 220V	2.707,00
153	1	1 614 801 030	Retaining ring	72,00	211	1	1 617 014 132	Carbon Brush Set	357,00
154	1	2 618 850 016	Spring retaining ring DIN	30,00	217	2	1 614 952 004	Split Spring	254,00
155	1	1 619 P05 737	Damping Ring	34,00	223	1	1 619 P14 223	Toolholder	1.554,00
156	1	1 619 P14 703	Damping Ring	40,00	230	1	1 619 P14 204	Gear Housing	1.311,00
157	1	1 619 210 183	O-Ring 22,0x3,6 MM	71,00	240	1	1 619 P14 205	Impact Mechanism	1.521,00
158	1	1 619 260 126	Seal Ring	703,00	241	1	1 619 P14 203	Striker Pin	741,00
159	1	1 619 P14 522	Damping Ring	31,00	254	1	1 619 P14 202	Stop Disc	230,00
160	1	1 619 210 076	O-Ring 22,0x4,6 MM	54,00	255	1	1 619 P14 200	Hammer Piston	335,00
161	1	1 619 P14 452	Sealing Ring	49,00	259	1	1 619 P14 225	Auxiliary Handle	324,00
162	2	1 619 P02 732	O-Ring	36,00	228	1	1 617 000 452	Auxiliary Handle MS	421,00
163	1	1 619 P14 431	Rubber Plug	31,00	229	1	1 615 430 002	Grease Tube 225 ML	2.054,00
170	1	1 619 P14 472	O-Ring	49,00	232	1	1 615 430 010	Grease Tube 225 ML	1.075,00
171	4	1 613 435 014	Torx Over-Head Screw	80,00	233	1	1 619 P14 232	Wear and Tear Part Set	2.040,00
172	6	1 613 435 013	Torx Over-Head Screw	48,00					
173	2	1 619 P01 320	Screw 40x4	28,00					
174	4	1 613 435 012	Torx Over-Head Screw	46,00					
175	4	1 619 P00 226	Screw	111,00					
176	2	1 613 435 012	Torx Over-Head Screw	46,00					
177	2	1 603 435 051	Tapping Screw 6T3,5x22	47,00					
178	1	1 619 P10 238	Connecting Cable	190,00					
179	2	1 619 P07 216	Screw	37,00					
182	1	1 619 P00 231	Felt Seal	31,00					

Please observe: Repairing, installing and testing of electric tools are to be performed professionally. The safety regulations according to IEC, EN, VDE, AFNOR and other regulations of the individual countries are to be observed. Subject to change.

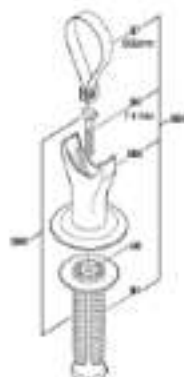
The price list supersedes all previous editions. Prices are subject to change without any prior notice.



Model: 3 611 C38 TFO = 230

Item	Pc	Order no.	Description	LF in EUR	Item	Pc	Order no.	Description	LF in EUR
1	1	1 610 P10 301	Motor Housing	691,00	60	1	1 610 030 004	Retaining Bracket	110,00
2	1	1 610 P14 777	Field 230V	1.190,00	72	1	1 610 P90 030	Eccentric Cog Wheel	714,00
4	1	1 607 200 388	Switch	403,00	73	1	1 610 P14 241	Housing Cover	308,00
5	1	1 610 P10 735	Power supply cord 230V	1.062,00	74	1	1 610 P14 421	Holding-Down-Appliance	77,00
5	1	1 604 400 744	Power supply cord		75	1	1 610 P08 175	Handle	368,00
7	1	1 610 703 083	Grommet Ø6 7-Ø12X08	87,00	76	1	1 610 400 018	Tox Oval-Head Screw	64,00
7	1	1 601 300 016	Fastening Clamp	65,00	81	1	1 610 P10 730	Handle Cover	135,00
8	1	1 610 P10 020	Nameplate		84	1	1 610 020 000	Auxiliary handle MB	227,00
9	2	1 610 P10 020	Manufacturer's nameplate		85	1	1 610 400 002	T-Hex Bolt M2X40 MM	78,00
13	1	1 610 600 026	groove ball bearing 62X40X	320,00	87	1	1 611 510 010	Clamping Band Ø63 MM	123,00
14	1	1 610 600 041	groove ball bearing	231,00	88	2	1 610 210 173	O-Ring 32,00x 3 MM	48,00
16	1	1 610 610 026	Fan	144,00	104	2	1 610 P08 783	Steel Ring	88,00
16	1	1 610 P14 495	Brush Holder	695,00	111	1	1 610 290 004	Bushing	50,00
17	1	1 610 P10 362	Ratchet Sleeve	437,00	112	1	1 610 300 008	Hex Nut DIN 934-M20x1 -6	49,00
18	1	2 610 211 016	Tapping Screw DIN	30,00	113	2	1 610 400 005	Tapping Screw	60,00
21	1	1 610 508 038	Protective Cap	102,00	117	2	1 610 P07 113	Needle-Roller Assembly	74,00
22	1	1 610 P10 301	Protection Sleeve	403,00	120	1	1 610 P10 300	Cover Sleeve	208,00
26	2	1 610 300 034	Stopping Device	82,00	136	1	1 610 P08 708	Sealing Frame	58,00
27	1	1 610 P08 017	Air-Deflector Ring	87,00	141	1	1 610 290 008	Rotary shaft to seal	207,00
28	1	1 610 P10 301	Compression Spring	62,00	143	1	1 614 601 021	Retaining ring DIN	93,00
31	1	1 610 281 008	Supporting Disc	161,00	148	1	1 610 110 012	Spring retaining ring	62,00
34	1	1 610 010 012	Flange	85,00	151	1	1 610 P14 404	Stop Disc	73,00
43	1	1 610 P08 781	Fan Cover	308,00	152	1	1 610 P14 483	Retaining ring	87,00
57	1	1 610 P17 062	Striker	170,00	153	1	1 614 601 020	Retaining ring	73,00

3 611 C38 7F0
3 611 C38 7F0 | **Fig. 4.30.3**



Best results are achieved when using only the recommended maintenance products.

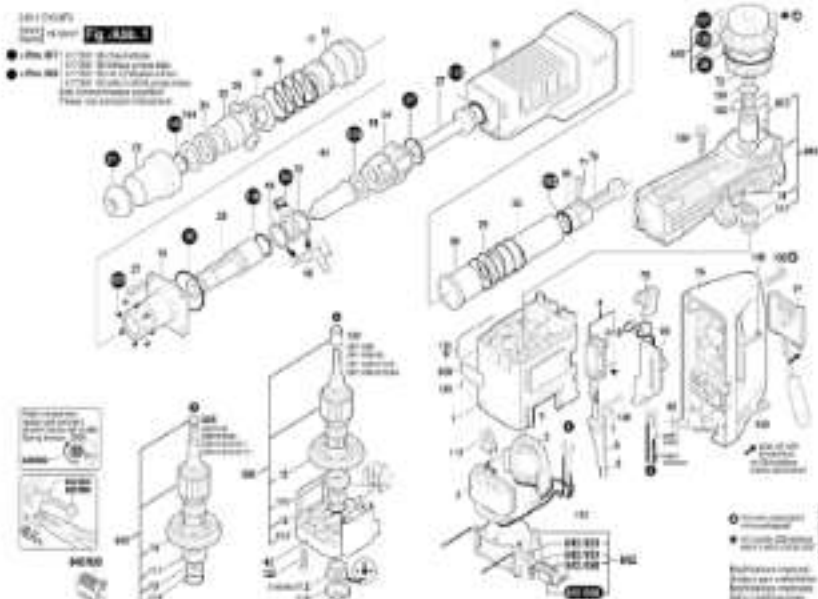
2 / 3

Model: 3 611 C38 7F0 = 230

Item	Pc	Order no.	Description	LF in EUR	Item	Pc	Order no.	Description	LF in EUR
154	1	1 616 850 010	Spring retaining ring DIN	30,00	317	2	1 616 952 004	Spine Spring	254,00
155	1	1 616 P16 397	Retaining ring	35,00	323	1	1 616 P16 310	Toolholder	1.554,00
160	1	1 616 P03 737	Damping Ring	34,00	329	1	1 616 P14 924	Gear Housing	1.311,00
161	1	1 616 P16 763	Demolition Ring	40,00	340	1	1 616 P16 317	Impact Mechanism	2.320,00
162	1	1 616 210 183	O-Ring 22,0x3,5 MM	71,00	341	1	1 616 P16 316	Striker Pin	635,00
163	1	1 616 300 085	Seal Ring	105,00	354	1	1 616 P14 320	Stop Disc	200,00
165	1	1 616 210 076	O-Ring 22,0x4,0 MM	99,00	365	1	1 616 P14 320	Hammer Piston	390,00
166	1	1 616 P14 452	Sealing Ring	49,00	364	1	1 616 P14 325	Auxiliary Handle	359,00
168	2	1 616 P03 732	O-Ring	35,00	383	1	1 616 040 374	Support clamp	160,00
169	1	1 616 P14 451	Rubber Plug	31,00	385	1	1 617 006 450	Auxiliary Handle MS	431,00
170	1	1 616 210 144	O-Ring 22,0x3,0 MM	50,00	393	1	1 616 430 002	Grease Tube 225 ML	1.654,00
171	4	1 613 436 014	Torr Oval-Head Screw	60,00	395	1	1 616 430 316	Grease Tube 225 ML	1.375,00
172	3	1 613 436 013	Torr Oval-Head Screw	45,00	396	1	1 616 P16 316	Wear and Tear Part Set	2.134,00
173	2	1 616 P01 380	Screw 4x14	29,00					
174	4	1 613 436 012	Torr Oval-Head Screw	45,00					
175	4	1 616 P03 226	Screw	111,00					
176	2	1 613 436 010	Torr Oval-Head Screw	40,00					
177	2	1 602 436 051	Tepping Screw 8T3.5x32	47,00					
178	1	1 616 P13 104	Connecting Cable	185,00					
179	2	1 616 P07 316	Screw	37,00					
182	1	1 616 P03 952	Felt Seal	35,00					
183	1	1 616 P03 952	Felt Seal	35,00					
303	1	1 616 P16 112	Armature 220V	2.707,00					
311	1	1 617 014 136	Carbon-Brush Set	397,00					

Please observe: Repairing, modifying and testing of electric tools are to be performed professionally. The safety regulations according to IEC, EN, VDE, AFNOR and other regulations of the individual countries are to be observed. Subject to change.

The price list supersedes all previous editions. Prices are subject to change without any prior notice.

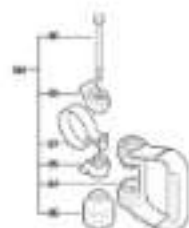


Model: 3 611 C16 8F0 = 220

Item	Pc	Order no.	Description	LF in EUR	Item	Pc	Order no.	Description	LF in EUR
1	1	1 616 102 001	Motor Housing BLUE	170,00	26	1	1 616 821 002	Compression Spring	78,00
2	1	1 616 P12 281	Field	2,320,00	29	1	1 614 621 003	Compression Spring	30,00
4	1	1 617 302 043	Switch	662,00	30	1	1 610 210 147	O-Ring 78.932.05 MM	31,00
4/15	1	2 610 011 033	Socket head cap screw	31,00	31	1	1 610 230 025	Demolition Ring	30,00
5	1	1 614 402 034	Power supply cord BR		34	1	1 610 340 029	Spacer Tube	340,00
6	1	1 616 P16 005	Power supply cord		35	1	1 616 P13 007	Hammer Pipe	2 210,00
7	1	1 616 703 063	Grommet Ø9.7-Ø12x9.5	67,00	36	1	1 610 210 127	O-Ring 64.042.5 MM	31,00
8	1	1 601 202 019	Fastening Clamp	69,00	37	1	1 610 210 123	O-Ring 28.003.0 MM	31,00
9	1	1 616 P16 073	Manufacturer's nameplate		38	1	1 616 190 023	Covering hood	302,00
13	1	2 616 809 310	groove ball bearing	440,00	39	1	1 610 233 030	Rotary shaft (to see DIN)	238,00
14	1	1 610 910 040	Needle-Roller Bearing	603,00	41	1	1 610 710 071	Striker Pin	602,00
15	1	1 616 810 033	Fan	630,00	43	1	1 616 033 023	Bearing cover BLUE	510,00
16	1	1 616 469 022	Ratchet Sleeve	61,00	54	1	1 610 190 019	Control Disc	99,00
17	1	1 616 P17 408	Retaining ring	210,00	55	1	1 610 420 008	Control Bushing	439,00
18	2	1 610 119 010	Spring retaining ring	102,00	57	1	1 616 700 054	Hammer Pipe	161,00
19	1	1 616 P15 902	Clamping-Flange	2,347,00	59	1	1 616 710 052	Striker	1 234,00
20	1	1 616 P13 304	Toolholder	3 623,00	70	1	1 610 201 023	Connecting Rod	212,00
21	1	1 616 808 028	Protective Cap	130,00	71	1	1 615 131 008	Bright Pin	73,00
22	1	1 616 469 023	Protection Sleeve	134,00	72	1	1 600 402 717	Eccentric Cog Wheel	2 230,00
23	1	1 616 621 011	Stop Sleeve	690,00	75	1	1 616 130 002	Handle BLACK	1 813,00
25	2	1 612 300 026	Stopping Device	384,00	79	1	1 612 028 049	Control Lever	65,00
26	2	1 616 P80 918	Stopping Device		79	1	1 612 028 042	Drive Plate GRAY	190,00
28	1	1 616 P16 141	Indexing Disk	126,00	80	1	1 627 223 621	Speed governor 220-240V	1 267,00
27	4	2 610 151 240	Hex Socket Head Cap	31,00	82	1	1 615 010 000	Light Conductor	31,00

Please observe: Repairing, modifying and testing of electric tools are to be performed professionally. The safety regulations according to IEC, EN, VDE, AFNOR and other regulations of the individual countries are to be observed. Subject to change.

The price list supersedes all previous editions. Prices are subject to change without any prior notice.

3 611 C16 2F0
 3 611 C16 2F0

 Spacers between
 rollers must be
 replaced with
 spacers of the
 same length.

 To disassemble, pull the roller
 housing 1 upwards. Do not
 try to get the rollers out of
 the housing. Use a screwdriver.

 To disassemble, remove the
 rollers.

 Part 10 (Spacers) is located
 with the rollers. Do not
 use the rollers with
 the spacers.


2 / 3

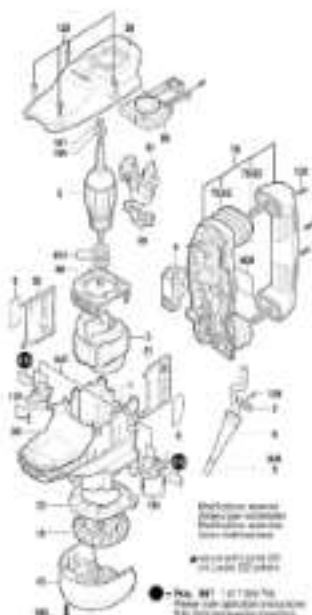
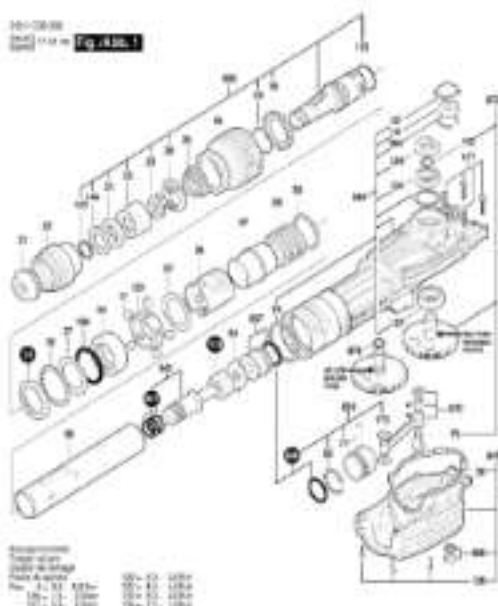
Model: 3 611 C16 2F0 = 220

Item	Pc	Order no.	Description	LF in EUR	Item	Pc	Order no.	Description	LF in EUR
34	1	1 600 026 000	Auxiliary Handle	2 181,00	142	1	1 610 200 000	Bushing	360,00
35	1	2 611 021 207	Hex Screw	40,00	143	1	2 610 040 017	Retaining ring DIN 7982 A	31,00
37	1	1 611 218 010	Clamping Band	120,00	144	1	1 610 102 000	Supporting Disc	100,00
38	1	1 616 P16 000	Star Knob	300,00	150	1	1 611 110 000	Sticker	
39	2	1 600 400 740	Clamping Piece	40,00	601	1	1 610 430 110	Grease Tube 30 ML	120,00
100	2	1 610 210 100	O-Ring 30,0x2,5 MM	20,00	602	1	1 610 P15 104	Armature 220-240V	4 221,00
104	1	1 610 210 103	O-Ring 22,0x11,0 MM	20,00	603	1	1 610 P14 040	Nameplate	
111	1	2 610 001 000	Bushing	207,00	604	1	1 610 P12 252	Nameplate	
112	1	2 613 401 000	Threaded Ring	100,00	623	1	1 617 000 403	Needle-Roller Assembly	234,00
113	2	1 610 000 007	Spacer	50,00	624	1	1 617 000 040	Ball DIN 5401-E, 5/16x11-8P	140,00
114	1	1 610 210 106	O-Ring 30,0x2,5 MM	40,00	940	1	1 617 000 000	Impact Mechanism	2 000,00
116	1	1 610 000 007	Protective Cap, BLACK	31,00	942	1	1 600 400 040	Brush Holder	1 600,00
123	2	1 610 213 013	Needle-Roller Assembly	105,00	942-002	2	1 614 000 017	Brush Guide	190,00
124	1	1 610 101 000	Thrust Bearing Disc	80,00	942-030	2	1 614 000 004	Spiral Spring	204,00
125	4	1 613 430 010	Torx Over-Head Screw	40,00	942-060	1	1 617 014 100	Carbon-Brush Set	301,00
126	1	2 603 400 000	Screw 4X16	30,00	942-090	1	1 607 000 401	Carbon-Brush Set 10 X 1	3 500,00
127	4	2 614 001 117	Microencapsulated Screw	80,00	942-030	2	2 610 011 010	Tapping Screw DIN	31,00
129	4	1 613 430 001	Screw and washer	31,00	945	1	1 617 000 410	Housing Cover	370,00
121	1	1 616 P15 100	Manufacturers nameplate		994	1	1 600 000 000	Auxiliary Handle	1 271,00
130	2	1 613 400 000	Torx Over-Head Screw	30,00	995	1	1 610 430 014	Grease Tube 45 ML	100,00
138	1	1 610 210 100	O-Ring 32,0x2,5 MM	117,00	996	1	2 613 040 000	Oil Return Ring	500,00
139	1	1 610 100 000	Fat Washer	200,00	997	1	1 617 000 100	Wear and Tear Part Set	1 000,00
140	4	1 613 430 010	Torx Over-Head Screw	40,00	998	1	1 617 000 100	Wear and Tear Part Set	2 077,00
141	1	1 610 200 000	Rotary shaft to seal	25,00					

Please observe: Repairing, modifying or testing of sealed-circuits are to be performed professionally. The safety regulations according to IEC, EN, VDE, AFNOR and other regulations of the individual countries are to be observed. Subject to change.

The price list supersedes all previous editions. Prices are subject to change without any prior notice.

3 611 C36 0F0
3 611 C36 0F0 | BO



Accessories:
Type of tool:
Type of voltage:
Type of power:
Type of tool:
Type of power:

3 611 C36 0F0	3 611 C36 0F0
3 611 C36 0F0	3 611 C36 0F0
3 611 C36 0F0	3 611 C36 0F0
3 611 C36 0F0	3 611 C36 0F0
3 611 C36 0F0	3 611 C36 0F0

Perforated ring
Perforated ring
Perforated ring

Fig. 81 1 611 000 00
Please refer to the instruction
book for the correct operation

1 / 2

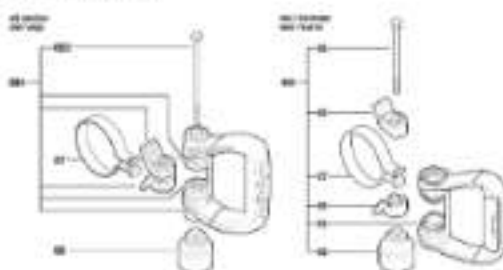
Model: 3 611 C36 0F0 = 230

Item	Pc	Order no.	Description	LF in EUR	Item	Pc	Order no.	Description	LF in EUR
1	1	1 616 103 107	Motor Housing	1,335,00	32	1	1 610 210 214	Sealing Frame	50,00
2	1	1 614 220 52F	Field 230V	4,432,00	33	1	1 610 521 047	Air-Deflector Ring	173,00
3	1	1 614 011 120	Armature 230V	2,995,00	34	1	1 610 521 040	Air Path	35,00
4	1	1 607 200 244	Switch	1,101,00	35	1	1 616 208 243	Hammer Pipe	7,000,00
5	1	1 610 103 050	Bronzelet Ø5,7-Ø12x65	97,00	36	1	1 610 160 000	Perforated Ring	175,00
6	1	1 601 302 016	Fastening Clamps	63,00	37	1	1 610 420 000	Control Bushing	1,420,00
7	2	1 601 110 034	Manufacturer's nameplate		38	1	1 616 190 173	Covering hood	952,00
14	1	1 600 808 030	groove oil bearing	235,00	39	1	1 610 283 032	Rotary shaft to seal	220,00
16	1	1 616 610 100	Fan	692,00	40	1	1 616 800 420	Brush-Cover	947,00
18	1	1 616 460 076	Guide Sleeve	795,00	44	1	1 610 322 017	Guide Sleeve	1,012,00
17	5	1 610 103 012	Locking Bolt	90,00	46	1	1 616 520 427	Holding-Cover-Attachment	177,00
18	2	1 610 324 011	Spring retaining ring	30,00	49	1	1 604 477 020	Plug Holder	35,00
19	1	1 616 420 071	Carrier	315,00	50	1	1 610 228 028	Stop Ring	155,00
21	1	1 610 800 030	Protective Cap	130,00	51	1	1 616 800 424	Housing Cover	175,00
22	1	1 616 460 076	Protection Sleeve	175,00	52	1	1 616 800 425	Housing Cover	175,00
23	1	1 616 520 030	Stop Sleeve	647,00	54	1	1 616 190 050	Control Disc	1,080,00
24	1	1 614 801 020	Retaining ring	54,00	62	1	1 610 800 024	Retaining snap ring	21,00
25	2	1 612 300 030	Stopping Device	394,00	71	1	1 615 131 014	Straight Pin	104,00
26	1	1 616 260 100	Inserting Disk	90,00	73	1	1 610 320 010	Eccentric Bolt	441,00
27	2	1 610 101 024	Stop Disc	95,00	75	1	1 616 130 130	Handle	3,140,00
28	1	1 614 821 014	Conical helical spring	90,00	19-82	2	1 610 415 003	Belows	942,00
29	1	1 614 821 015	Compression Spring	180,00	19-82	2	1 614 821 009	Compression Spring	303,00
30	1	1 611 016 030	Sealing Frame	220,00	80	1	1 617 223 002	Speed governor	2,495,00
31	1	1 616 260 100	Demolishing Ring	90,00	81	1	1 611 030 010	Inserted Pin	175,00

Please observe: Repairing, modifying and testing of electric tools are to be performed professionally. The safety regulations according to IEC, EN, VDE, AFNOR and other regulations of the individual countries are to be observed. Subject to change.

The price list supersedes all previous editions. Prices are subject to change without any prior notice.

Fig. 4.36.2
(continued)



Accessories optional
Additional information
see instruction card

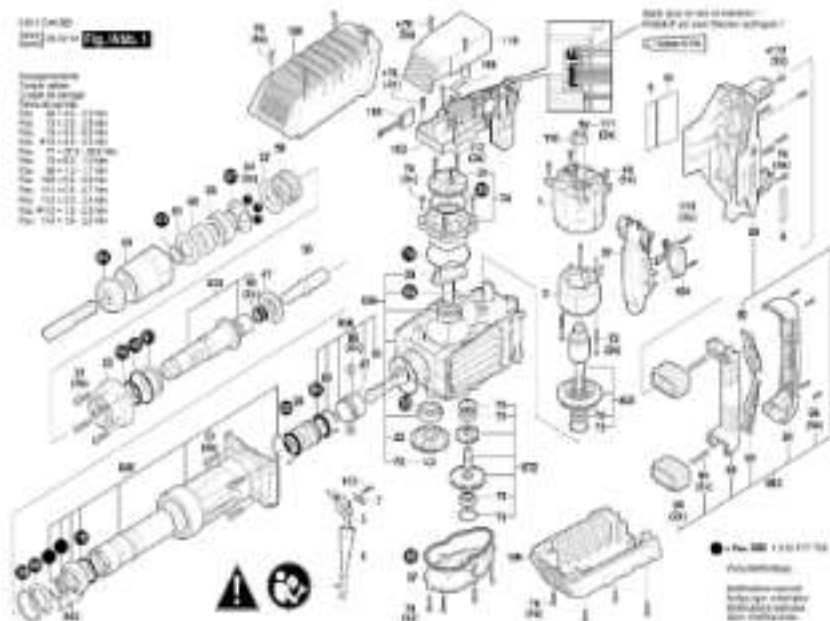
2 / 3

Model: 3 611 C36 0F0 = 230

Item	Pc	Order no.	Description	LF in EUR	Item	Pc	Order no.	Description	LF in EUR
35	1	1 602 028 001	Auxiliary Handle	2,670,00	173	2	1 610 100 001	Disc	40,00
36	1	2 611 021 287	Hex Screw	40,00	184	1	1 610 210 218	Damping Ring	270,00
37	1	1 602 401 010	Clamping Band	370,00	650	1	1 610 408 482	Carrying Case	
38	1	1 610 P18 005	Star Knob	320,00	805	1	1 610 P18 006	Power supply cord	
39	2	1 602 400 08L	Clamping Piece	40,00	806	1	1 601 114 310	Hexaplate	
104	1	1 610 210 210	Damper	1,780,00	810	1	1 617 000 780	Carbon Brush	800,00
121	1	1 610 200 032	Retaining snap ring	1,181,00	813	1	1 617 000 744	groove ball bearing	730,00
122	1	1 610 600 030	groove ball bearing	780,00	820	1	1 617 000 740	Toolholder	2,900,00
124	1	1 610 600 034	groove ball bearing	881,00	840	1	1 617 000 748	Impact Mechanism	12,000,00
126	1	2 603 400 033	Torx Over-Head Screw	31,00	841	1	1 617 000 747	Striker Pin	2,770,00
127	4	1 610 400 032	Torx Over-Head Screw	80,00	845	1	1 617 000 746	Clear Cover	3,140,00
128	5	1 613 414 028	Torx socket button screw	80,00	847	1	1 617 000 740	Brush Holder	1,341,00
129	5	1 613 400 034	Torx Over-Head Screw	40,00	858	1	1 617 000 751	Hammer Pigeon	1,338,00
130	5	1 610 400 035	Torx Over-Head Screw	80,00	867	1	1 617 000 782	Striker	1,870,00
133	3	1 613 400 038	Torx Over-Head Screw	80,00	870	1	1 617 000 753	Connecting Rod	1,448,00
134	4	1 613 400 037	Torx Over-Head Screw	80,00	872	1	1 600 400 544	Eccentric Cog Wheel	4,200,00
136	1	1 610 200 017	Felt Washer	100,00	873	1	1 610 210 210	O-Ring	80,00
143	1	1 614 801 071	Retaining ring	47,00	883	1	1 613 400 110	Hex Screw	90,00
144	1	1 610 101 023	Supporting Disc	220,00	894	1	1 602 028 007	Auxiliary Handle	2,480,00
152	1	1 610 204 012	Spring retaining ring	40,00	895	1	1 602 028 001	Auxiliary Handle	2,020,00
164	1	1 610 224 013	Spring retaining ring	50,00	898	1	1 617 000 756	O-Ring	390,00
166	1	1 610 200 011	Solenoid Ring	220,00	897	1	1 617 000 788	O-Ring	407,00
167	1	2 615 000 107	Hex Nut DIN 439-BM8-04	60,00	899	1	1 617 000 787	Parts Set	330,00
172	1	1 610 210 210	O-Ring	80,00	897	1	1 617 000 758	Wear and Tear Part Set	2,737,00

Please observe! Repairing, installing and testing of electric tools are to be performed professionally. The safety regulations according to IEC, EN, VDE, AFNOR and other regulations of the individual countries are to be observed. Subject to change.

The price list supersedes all previous editions. Prices are subject to change without any prior notice.

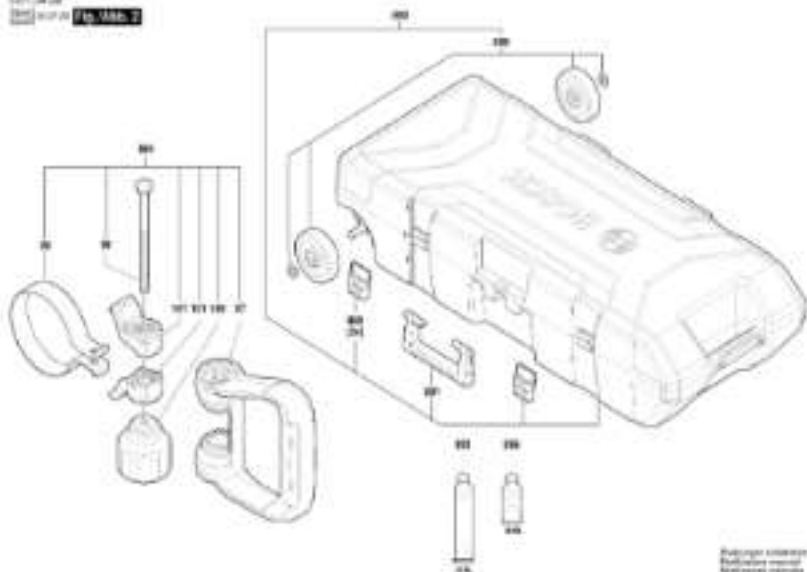


Model: 3 E11 C44 0F0 = 230

Item	Pc	Order no.	Description	LF in EUR	Item	Pc	Order no.	Description	LF in EUR
1	1	1 619 P18 778	Motor Housing	481,00	40	3	1 619 226 218	Torx Oval-Head Screws	37,00
2	1	1 600 462 1v6	Stator 220-240V	3,94,00	50	1	1 619 P18 302	Striker Pin	1,28,00
3	1	1 619 P18 005	Power supply cord		51	1	1 619 P18 303	Damping Ring	35,00
4	1	1 619 703 363	Grommer 26 7-8x230S	67,00	53	1	1 619 P18 304	Flange	2,97,00
5	1	1 601 302 016	Fastening Clients	45,00	54	3	1 619 P18 305	Bell	35,00
6	1	1 619 P17 604	Nameplate		55	1	1 619 P18 306	O-Ring	100,00
7	1	1 619 P18 771	Manufacturer's nameplate		57	1	1 619 P18 307	Holding Plate	263,00
8	1	1 619 P17 303	Bracket		58	1	1 619 201 302	Compression Spring	70,00
9	1	1 619 P18 772	O-Ring	127,00	59	1	1 619 P18 308	Stop Sleeve	1,68,00
10	1	1 619 P17 054	Retaining ring	110,00	60	1	1 619 P18 309	Damping Ring	150,00
11	1	1 619 P18 731	Cylindrical Gear	730,00	61	1	1 619 P18 310	Supporting Disc	347,00
12	1	1 619 P18 732	Eccentric Shaft	1,194,00	62	1	1 619 P18 312	Protection Sleeve	200,00
13	1	1 619 P18 733	Striker	1,487,00	64	1	1 619 P18 315	Protective Cap	301,00
14	1	1 619 P18 734	Connecting Rod	382,00	65	2	1 619 P18 316	O-Ring	304,00
15	1	1 619 P18 735	Housing Cover	193,00	67	1	1 619 P18 318	Indexing Disc	221,00
16	1	1 619 P18 736	Switch Set	254,00	68	1	1 619 226 118	Shaft Seal	205,00
17	1	1 619 P18 737	Bearing cover	518,00	70	2	1 619 P18 323	groove ball bearing	244,00
18	1	1 619 P18 734	O-Ring	92,00	72	1	3 600 224 001	Retaining ring	44,00
19	1	1 619 P18 735	O-Ring	132,00	73	2	1 619 428 008	Teasing Screw	32,00
20	1	1 619 P18 736	Sealing Frame	145,00	74	1	1 619 P18 315	Grease Cartridge	200,00
21	1	1 619 P17 055	Retaining ring	37,00	75	3	1 619 216 130	O-Ring 32,0x2,5 MM	117,00
22	1	1 619 P18 735	O-Ring	92,00	76	13	1 619 707 318	Torx Oval-Head Screws	37,00
23	1	1 619 P17 429	Damping Ring	485,00	77	2	1 619 101 248	Hex Socket Head Cap	31,00
24	1	1 619 P18 001	Disc	329,00	78	1	1 619 P18 317	O-Ring	100,00

1 611 02 08

1 611 02 08

Fig. 1/16

 Bosch Power Tools
 Bosch Power Tools
 Bosch Power Tools

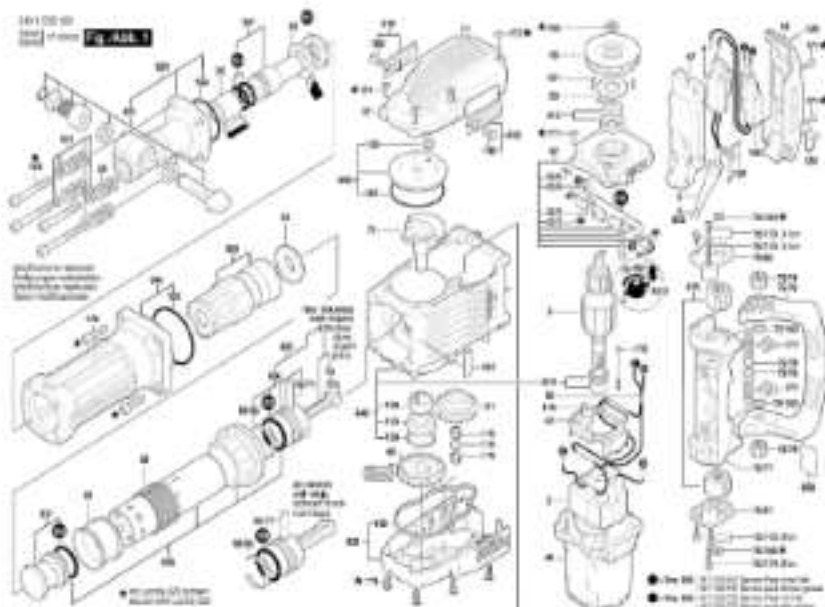
2 / 3

Model: 3 611 C44 0F0 = 230

Item	Pc	Order no.	Description	LF in EUR	Item	Pc	Order no.	Description	LF in EUR
75	4	3 603 426 000	Thread-forming tap. Screw	55,00	110	1	3 610 P19 364	Electronic Module	520,00
85	2	1 616 210 217	O-Ring	220,00	111	2	1 616 P10 220	Tox Oval-Head Screw	31,00
90	2	1 616 100 021	Disc	40,00	112	2	1 616 430 010	Tox Oval-Head Screw	40,00
97	1	1 616 101 014	Straight Pin	100,00	113	3	2 603 430 023	Tox Oval-Head Screw	31,00
98	1	1 616 500 024	Retaining slip ring	91,00	119	1	1 616 P13 029	Cover	337,00
99	1	1 616 P18 010	Rear Housing Section	1.000,00	203	1	1 616 P17 597	Rotor	5.821,00
99	1	1 616 130 113	Handle Cover	373,00	223	1	1 616 P17 701	Toolholder	9.930,00
91	1	1 616 132 134	Handle Cover	710,00	229	1	1 616 P17 700	Gear housing	3.991,00
92	1	1 616 020 100	Reverse-Transfer Lever	190,00	240	1	1 616 P17 500	Impact Mechanism	3.020,00
93	1	1 616 020 100	Reverse-Transfer Lever	190,00	242	1	1 616 P17 707	Disc	1.744,00
94	1	1 616 P17 116	Belts	101,00	250	1	1 616 P17 702	Hammer Piston	2.200,00
95	2	1 616 P17 120	Compression Spring	78,00	270	1	1 616 P17 508	Cylindrical Gear	3.340,00
95	4	1 616 P10 705	Tox Oval-Head Screw	31,00	282	1	1 616 P17 703	Handle	3.212,00
97	1	3 603 020 030	Auxiliary Handle	2.191,00	284	1	1 616 P17 704	Auxiliary Handle	2.330,00
98	1	2 611 021 207	Hex Screw	40,00	300	1	1 616 P17 001	Wheel Set	1.910,00
99	1	1 611 310 020	Clamping Band	200,00	301	1	1 616 P17 002	Handle	280,00
100	1	1 616 P18 003	Star-Knob	300,00	302	2	1 616 P17 000	Lock	210,00
101	2	3 603 400 050	Clamping Piece	40,00	305	1	1 616 430 014	Grease Tube 45 ML	100,00
102	1	1 616 P17 140	Electronic Module	12.103,00	306	1	1 616 430 010	Grease Tube 30 ML	100,00
104	1	1 616 P18 005	Electronic Module	1.710,00	320	1	1 616 P17 705	Wear and Tear Part Set	2.600,00
105	1	1 616 P17 197	Electronic Module	1.300,00					
108	1	1 616 P17 100	Damper	74,00					
109	1	1 616 P18 009	Cover	1.100,00					
109	1	1 616 P18 007	Cover	1.007,00					

Please observe: Repairing, modifying and testing of electro-tools are to be performed professionally. The safety regulations according to IEC, EN, VDE, AFNOR and other regulations of the individual countries are to be observed. Subject to change.

The price list supersedes all previous editions. Prices are subject to change without any prior notice.

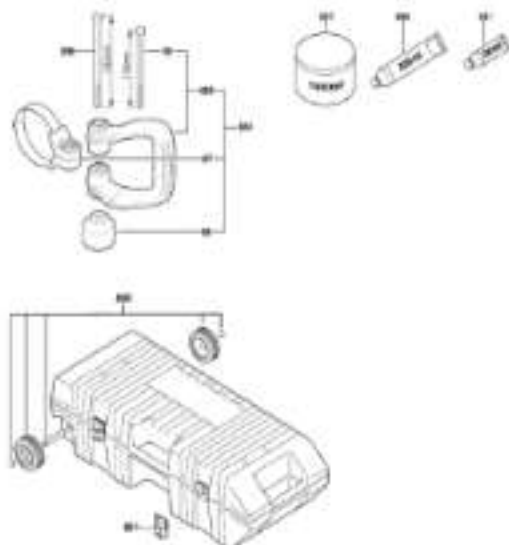


Model: 3 611 C35 1K3 - 230

Item	Pc	Order no.	Description	LF in EUR	Item	Pc	Order no.	Description	LF in EUR
2	1	1 604 320 020	Field 220-240V	4 402,00	5671	1	1 610 151 210	Piston Pin	132,00
3	1	1 614 011 117	Armature 220-240V	10 116,00	60	1	1 610 317 080	Cylindrical Gear	3 697,00
4	1	1 607 200 044	Switch	1 101,00	61	1	1 610 317 082	Cylindrical Gear	4 428,00
5	1	1 610 703 062	Grommet Ø9.7-Ø12X6	87,00	72	1	1 600 601 470	Eccentric Shaft	6 034,00
6	1	1 601 302 018	Feathering Clutch	45,00	73	1	1 600 400 140	Needle bearing	237,00
16	1	1 618 610 102	Fan	716,00	7074	2	1 610 090 040	Spined coupling	347,00
25	1	1 610 300 070	Guide Ring	602,00	7578	1	1 610 045 022	Step-Shaped Handle	2 627,00
26	4	1 614 014 006	Compression Spring	187,00	7577	1	1 610 303 059	Beating Pedestal	1 208,00
28	1	1 614 014 007	Compression Spring	271,00	7679	2	1 610 090 080	Toothed Shaft	378,00
33	1	1 611 608 008	Holding Plate	347,00	7580	1	1 610 500 370	Beating cover	354,00
34	1	1 610 102 038	Supporting Disc	479,00	7581	1	1 610 500 377	Beating cover	354,00
37	1	1 616 600 380	Flap Cover	1 618,00	75173	4	1 610 480 008	Tox Oval-Head Screw	30,00
42	1	1 614 338 078	Brush Holder	1 674,00	75174	2	1 613 490 050	Tox Oval-Head Screw	49,00
42G	2	1 614 338 017	Brush Guide	192,00	76182	2	1 610 330 013	Supporting Disc	30,00
42G	2	1 614 662 007	Spiral Spring	162,00	75194	2	1 613 240 021	Hex Nut	50,00
42B	2	1 611 390 058	Connector	159,00	80	1	1 611 021 287	Hex Bolt	49,00
42B	4	2 013 401 412	Tapping Screw	40,00	87	1	1 600 400 883	Clamping Band	1 200,00
43	1	1 610 500 054	Socket	71,00	88	1	1 610 418 022	Star Knob	242,00
46	1	1 618 108 083	Motor Housing	1 302,00	89	1	1 614 448 038	Connecting Cable	100,00
47	1	1 610 600 028	Base Plate	641,00	110	1	1 610 500 003	Spacer Tube	91,00
48	1	1 616 500 383	Housing Cover	1 216,00	119	2	1 610 013 020	Needle-Roller Assembly	74,00
53	1	1 610 190 093	Stop Disc	602,00	120	1	1 610 013 062	Needle-Roller Bearing	1 173,00
56	1	1 610 608 016	Control Bushing	1 313,00	121	1	1 610 300 030	groove ball bearing	845,00
56B	1	1 610 500 023	Retaining strap ring	192,00	123	4	2 023 490 023	Tox Oval-Head Screw	31,00

Please observe: Repairing, modifying and testing of electric tools are to be performed professionally. The safety regulations according to IEC, EN, VDE, AFNOR and other regulations of the individual countries are to be observed. Subject to change.

The price list supersedes all previous editions. Prices are subject to change without any prior notice.

3 611 C35 1K3
 3 611 C35 1K3 | BO

 Technische Zeichnung
 3 611 C35 1K3 | BO
 3 611 C35 1K3 | BO

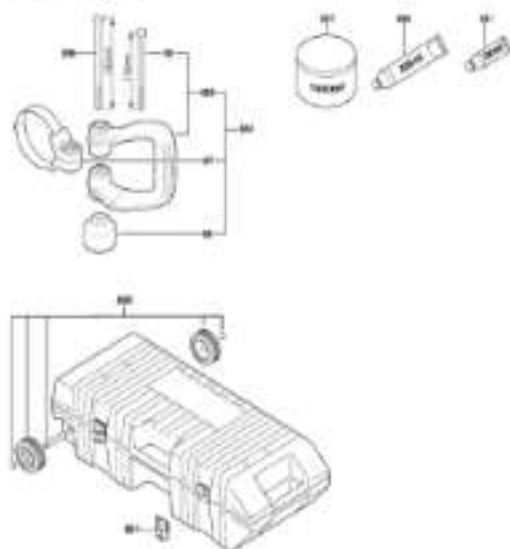
2 / 3

Model: 3 611 C35 1K3 = 230

Item	Pc	Order no.	Description	LF in EUR	Item	Pc	Order no.	Description	LF in EUR
128	1	2 618 600 021	Spring retaining ring	124,00	314	1	1 617 000 431	Sealing	1 102,00
129	1	1 611 016 099	Sealing Flame	107,00	315	1	1 617 000 433	Brush-Cover	185,00
130	1	1 610 003 000	Plug	54,00	316	1	1 617 000 433	Brush-Cover	185,00
157	1	1 610 210 100	O-Ring	35,00	320	1	1 617 000 732	Toolholder	17 775,00
158	1	1 610 210 101	O-Ring	36,00	321	1	1 617 000 721	Locking Bolt Set	4 105,00
159	1	1 602 210 000	O-Ring 66,0x3,0 MM	65,00	331	1	1 617 000 442	Plain Washer	511,00
161	1	1 610 200 118	Demolishing Ring	177,00	335	1	1 617 000 709	Guide Tube	2 735,00
164	2	1 610 210 104	O-Ring	74,00	339	1	1 617 000 439	Gear Cover	3 754,00
165	2	1 610 210 106	O-Ring	225,00	340	1	1 617 000 430	Gear Housing	21 208,00
166	4	1 613 414 022	Hex Socket Head Cap	120,00	341	1	1 617 000 491	Striker Pin	3 312,00
170	4	1 613 414 023	Hex Socket Head Cap	49,00	344	1	1 617 000 462	Hammer Pipe	1 507,00
171	10	1 613 400 010	Tors Oval-Head Screw	45,00	345	1	1 617 000 710	Sealing cap	613,00
172	2	1 613 400 011	Tors Oval-Head Screw	49,00	354	1	1 617 000 740	Special Tube	1 139,00
176	2	1 603 428 038	Tapping Screw 4,0x7,5 MM	69,00	365	1	1 607 000 036	Hammer Piston	1 599,00
180	2	1 613 400 037	Camp Screw	44,00	367	1	1 617 000 495	Striker	2 654,00
181	2	2 603 400 022	Screw 4x12	35,00	370	1	1 607 000 036	Connecting Rod	562,00
182	1	1 613 240 020	Hex Nut	54,00	373	1	1 617 000 428	Rubber Torsion-Bar	2 310,00
190	1	1 614 600 007	Suppression Filter	1 375,00	384	1	1 602 026 08K	Auxiliary Handle	2 795,00
192	1	1 611 110 043	Slider	0,00	385	1	1 605 132 103	Handle	1 433,00
201	1	1 616 430 010	Grease Tube 30 ML	120,00	388	1	2 011 011 070	Hex Screw Drive	40,00
205	1	1 617 000 723	Power supply cord	3 280,00	390	1	1 617 000 718	Wheel Set	2 251,00
208	1	1 601 11A 310	Nemalode	0,00	391	1	1 617 000 718	Lock	482,00
210	1	1 617 014 143	Carbon-Brush Set	735,00	392	1	1 607 000 036	Hammer Piston	2 092,00
212	1	1 617 000 430	Sealing	504,00	395	1	1 617 000 702	Wear and Tear Part Set	2 300,00

Please observe! Repairing, modifying and testing of electric tools are to be performed professionally. The safety regulations according to IEC 611, VDE, AFNOR and other regulations of the individual countries are to be observed. Subject to change.
 The price list supersedes all previous editions. Prices are subjected to change without any prior notice.

161102-30
GSH 16-30 **Fig. 4.12.1**

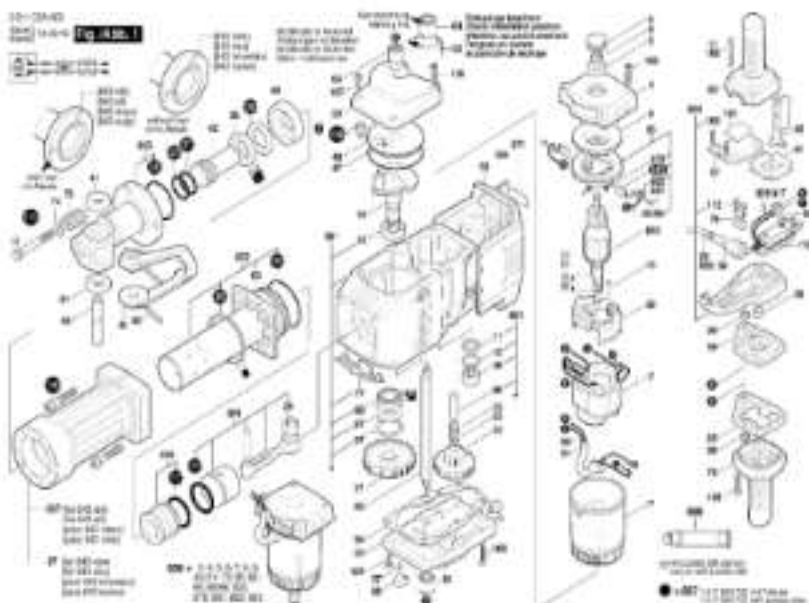


161102-30
GSH 16-30
161102-30

3 / 3

Model: 3 611 C35 1K3 = 230

Item	Pc.	Order no.	Description	LF in EUR	Item	Pc.	Order no.	Description	LF in EUR
606	1	1 617 322 427	Wear and Tear Part Set	1,125,00					
607	1	1 616 430 016	Lubricating Grease 1000	3,590,00					
608	1	1 616 430 016	Grease Tube 225 ML	1,075,00					

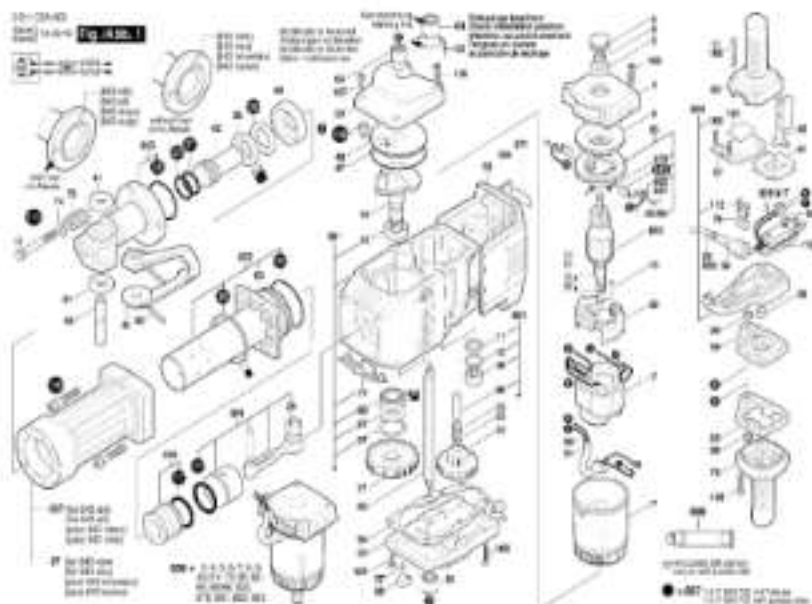


1 / 3

Model: 3 €11 CGA 0F0									
Item	Pc	Order no.	Description	LF in EUR	Item	Pc	Order no.	Description	LF in EUR
3	1	1 600 320 02K	Field 220-240V	7 785,00	41	2	1 610 210 008	O-Ring 17,2x11,7 MM	132,00
4	1	1 610 320 239	Bearing cover	4 233,00	42	1	1 600 401 47U	Striker Pin	5 459,00
5	1	1 610 320 016	groove ball bearing	1 172,00	44	1	1 610 040 028	Retaining Bracket	5 232,00
6	1	1 610 320 014	Screw Plug	1 089,00	46	1	1 610 103 004	Loading Bolt	2 940,00
7	1	1 610 103 104	insulating Housing	1 087,00	48	2	2 617 790 187	Blotted Spring Pin 30X5	55,00
8	1	1 610 310 003	Fan	682,00	47	1	1 600 210 170	O-Ring 100X3 MM	224,00
9	1	1 610 310 000	Hex Nut DIN 934-M12X1	90,00	48	1	1 610 516 017	Sealing cap	710,00
11	1	1 610 103 013	Felt Washer	94,00	50	1	3 000 421 900	Protection Sleeve	70,00
12	1	1 610 103 018	Supporting Disc 1,0 MM	82,00	51	1	1 610 703 087	Cord guard	169,00
15	1	1 610 210 001	Needle-Roller Bearing	1 282,00	52	1	1 600 401 475	Fan Cover	3 617,00
17	2	1 610 210 210	O-Ring	399,00	53	1	1 610 520 414	Covering hood	3 660,00
18	1	1 600 401 473	Eccentric Shaft	12 210,00	55	1	1 610 703 088	Cord guard	277,00
21	1	1 610 310 006	Cylindrical Gear Z=45	5 113,00	57	1	1 616 500 416	Switch Cover	180,00
22	1	1 610 320 038	Cylindrical Gear Z=19-52	7 932,00	58	1	1 617 200 124	Switch	1 490,00
23	2	1 610 210 006	Needle-Roller Assembly	282,00	59	1	1 600 401 410	Intermediate Plate	4 670,00
24	1	1 600 401 470	Gear Cover	2 136,00	61	1	1 610 700 099	Dust Protection	218,00
25	1	1 610 210 020	Needle-Roller Bearing	1 173,00	62	1	1 610 028 163	Switch-Pawl	163,00
27	2	1 610 210 213	O-Ring	187,00	63	1	1 615 130 124	Handle	2 334,00
28	1	1 610 210 097	Needle-Roller Bearing	1 423,00	64	2	1 610 324 000	Rubber Torsion-Bar	1 131,00
36	1	1 610 210 211	O-Ring	228,00	65	1	1 610 080 009	Toothed Shaft	2 034,00
37	1	1 600 401 475	Guide Tube	21 414,00	66	1	1 610 290 101	Backup ring	3 245,00
38	1	1 600 401 410	Supporting Disc	718,00	67	1	2 618 890 023	Spring retaining ring DIN	87,00
39	1	1 610 320 100	Damping Ring	668,00	68	2	1 610 485 001	Rubber Buffer	188,00
40	1	1 600 401 411	Intermediate Flange	1 049,00	69	1	1 600 401 412	Intermediate Plate	4 567,00

Please observe: Repairing, modifying and testing of electric tools are to be performed professionally. The safety regulations according to IEC 61156, AF104 and other regulations of the individual countries are to be observed. Subject to change.

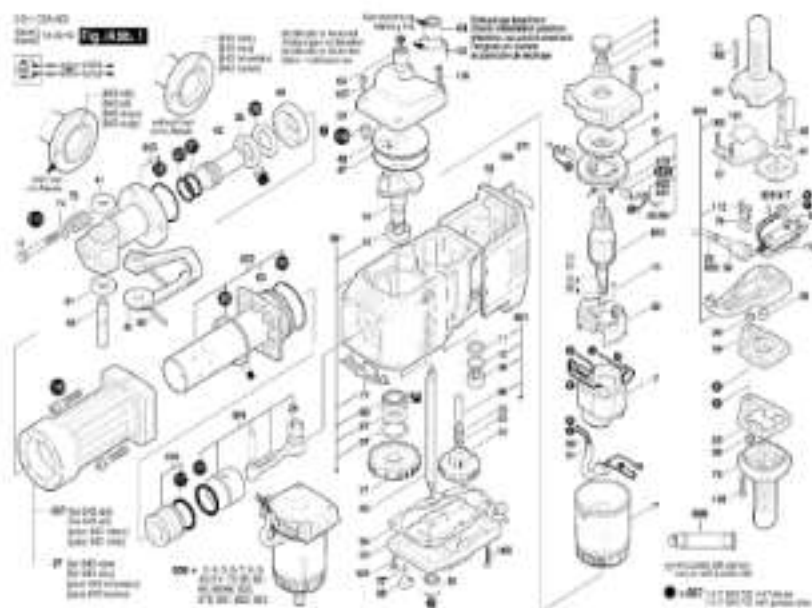
The price list supersedes all previous editions. Prices are subject to change without any prior notice.



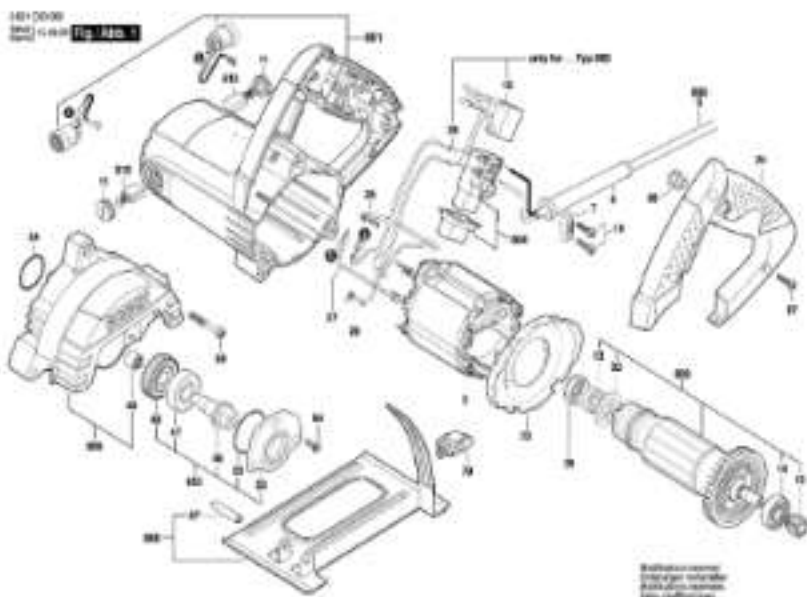
Item	Pc	Order no.	Description	LF in EUR	Item	Pc	Orders	Description	LF in EUR
70	1	1 615 132 126	Handle	2,034,00	110	4	2 210 181 288	Hex Socket Head Cap	34,00
73	2	1 603 438 038	Tapping Screw 4,5x78 MM	55,00	111	3	1 613 414 024	Hex Screw	189,00
74	3	2 216 160 010	Disc Spring	40,00	112	2	1 613 426 021	Tox Over-Head Screw	52,00
75	2	1 614 814 008	Compression Spring	382,00	113	1	1 614 833 011	Suppression Filter	1,337,00
76	1	1 611 302 015	Fastening Clamp	50,00	135	1	1 611 110 010	Reference Plate	
77	1	1 616 000 421	Ventilation Grid	142,00	139	1	1 610 800 060	Plug	54,00
85	1	1 614 238 045	Brush Holder	2,201,00	801	1	1 617 000 728	Motor Housing	24,305,00
88/90	2	1 614 440 037	Connecting Cable	219,00	803	1	1 614 011 139	Annulure 220-240V	19,331,00
89	1	1 610 300 033	Sealing bolt	328,00	805	1	1 610 P12 005	Power supply cord	
91	1	1 610 600 007	groove oil bearing	407,00	817	2	1 611 001 005	connecting terminal	48,00
93	1	1 610 323 018	Rotary shaft lip seal	242,00	823	1	1 617 000 727	Piston Assembly Group	4,744,00
94	1	1 610 000 008	Spacer	136,00	824	1	1 617 000 728	Striker	6,134,00
95	1	1 611 015 051	Rectangular Ring	103,00	837	1	1 620 401 836	Guide Tube	18,438,00
91	1	1 610 210 212	O-Ring	91,00	843	1	1 607 000 030	Toolholder	20,830,00
94	1	1 611 016 021	Sealing Plate	171,00	854	1	1 617 000 730	Switch Housing	1,109,00
95	1	1 614 413 010	Wiring Harness	294,00	859	2	2 210 211 038	Socket head cap screw	31,00
97	2	2 210 011 007	Hex Nut DIN 93 4xM8-2-A	28,00	871	1	1 601 114 246	Nameplate	
99	2	2 213 313 000	Hex Nut DIN	33,00	872	1	1 617 000 731	Hammer Pipe	20,830,00
104	4	2 210 141 001	Hex Socket Head Cap	80,00	879	2	1 614 832 001	Coil Spring	128,00
105	4	2 214 881 183	Microencapsulated Screw	94,00	881	2	1 613 426 009	Tox Over-Head Screw	31,00
106	4	2 214 881 189	Microencapsulated Screw	48,00	882	2	1 610 191 007	Spring Lock Washer	31,00
107	4	2 210 141 042	Hex Socket Head Cap	80,00	883	1	1 617 000 428	Carbon-Brush Set	1,008,00
108	4	2 203 420 033	Tox Over-Head Screw	31,00	890	1	1 617 000 732	Un. Flange-Mtd. Motor	28,954,00
109	3	2 210 141 043	Hex Socket Head Cap	80,00	897	1	1 617 000 732	Wear and Tear Part Set	4,400,00

Please observe: Repairing, modifying and testing of electric tools are to be performed professionally. The safety regulations according to IEC 61110, IEC 61034 and the regulations of the individual countries are to be observed. Subject to change.

The price list supersedes all previous editions. Prices are subjected to change without any prior notice.



Item	Pc	Order no.	Description	LF in EUR	Item	Pc	Order no.	Description	LF in EUR
100	1	1 618 430 018	Grease Tube 235 ML	1,074,00					



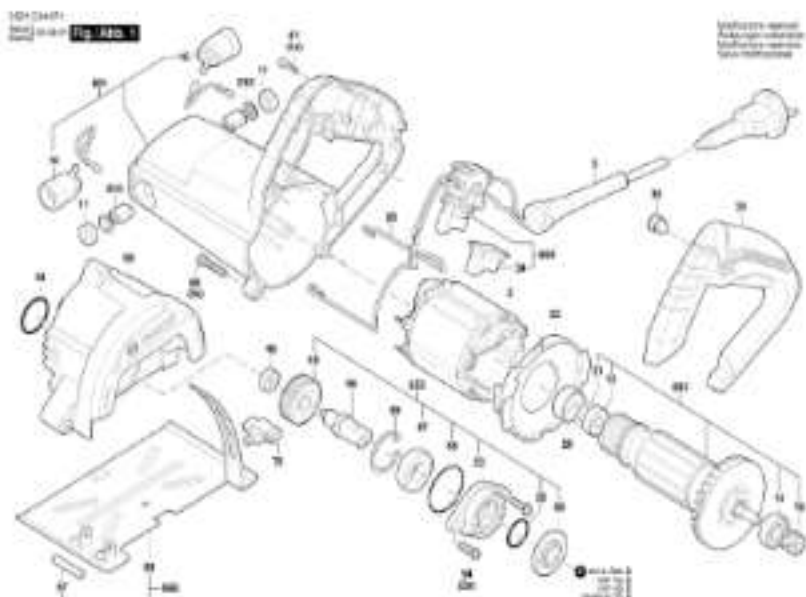
1 / 2

Model: 3 601 C93 0F1 - 220

Item	Pc	Order no.	Description	LF in EUR	Item	Pc	Order no.	Description	LF in EUR
2	1	1 610 P02 330	Field 230V	610,00	37	4	2 603 400 000	Screw 4X16	20,00
5	1	1 604 450 790	Power supply cord EU		38	3	1 610 P08 301	Torx Over-Head Screw	38,00
8	1	F 002 001 001	Grommet	31,00	39	3	1 610 P07 062	Thread-Framing Screw	35,00
7	1	1 610 P05 312	Cable Clip	31,00	6501	1	1 610 P08 305	Washer	63,00
11	2	1 610 P05 330	insulating Cap	80,00	6502	1	1 610 P07 057	Retaining Washer	122,00
13	1	2 602 000 030	Ball Bearing TX160E	150,00	6503	1	1 610 P10 150	Chuck Wrench	40,00
15	1	F 000 010 000	Cylindrical Gear	147,00	65025	1	1 610 P03 078	Hex Screw	91,00
22	1	1 610 P10 017	Air-Deflector Ring	47,00	650652	1	2 610 304 010	Hexagon Socket Screw	90,00
24	1	1 610 P10 016	Handle Cover	62,00	801	1	1 610 P10 367	Housing Set	200,00
25	1	1 610 P05 327	Rubber Ring	31,00	803	1	1 610 P10 365	Arrature set 230V	650,00
27	1	1 600 400 294	Connecting Cable	25,00	804	1	1 610 P10 369	Switch	140,00
28	1	1 600 400 295	Connecting Cable	34,00	810	1	1 610 P10 371	Carbon-Brush Set	60,00
29	1	1 600 400 296	Connecting Cable	25,00	853	1	1 610 P07 427	Spindle Assembly	530,00
30	1	1 610 P04 476	Sealing disk	20,00	860	1	1 610 P10 273	Gear Housing	240,00
35	1	1 610 P05 035	Protecting Cover	35,00	861	1	1 610 P10 150	Base Plate	340,00
45	1	F 000 010 020	Spline	171,00					
47	1	1 610 P00 302	groove ball bearing	240,00					
48	1	1 600 300 020	Plain bearing	31,00					
49	1	F 000 017 024	Cylindrical Gear	192,00					
53	1	1 610 P07 061	Bearing Flange	164,00					
54	1	F 000 040 007	O-Ring	35,00					
55	1	F 000 040 008	O-Ring	35,00					
67	1	2 317 760 120	Sorted Spring Pin 6X32	35,00					
76	1	1 603 400 020	Wiring Screw	40,00					

Please observe: Repairing, installing and testing of electric tools are to be performed professionally. The safety regulations according to IEC, EN, VDE, AFNOR and other regulations of the individual countries are to be observed. Subject to change.

The price list supersedes all previous editions. Prices are subjected to change without any prior notice.



1 / 2

Model: 3 601 C44 0F1 = 220

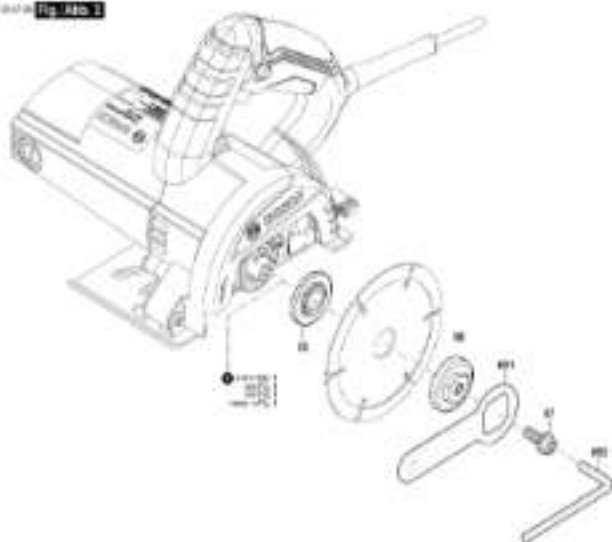
Item	Pc	Order no.	Description	LP in EUR	Item	Pc	Order no.	Description	LP in EUR
7	1	1 604 320 020	Field 230V	63,00	60	1	2 010 990 713	Retaining oil DIN	60,00
8	1	1 604 400 719	Power supply cord	194,00	61	1	1 610 P20 448	Upper gear	547,00
11	2	1 616 P00 026	insulating Cap	60,00	67	1	2 017 790 190	Blotted Spring Pin EX32	30,00
13	1	2 600 205 110	groove ball bearing SK22X7	194,00	68	1	1 610 P13 025	Base Plate	243,00
14	1	1 616 P00 026	groove ball bearing	163,00	70	1	1 603 430 028	Wing Screw	49,00
16	1	1 616 P00 480	Pinion	21,00	67	4	2 603 430 022	Screw 4X16	30,00
18	2	1 616 P00 027	Carbon Brush Holder	30,00	68	2	2 603 410 054	Thread-forming top. Screw	30,00
23	1	1 616 P17 030	Baffle	28,00	69	1	1 000 940 003	O-Ring	30,00
24	1	1 616 P13 017	Handle	70,00	64	2	2 603 410 054	Thread-forming top. Screw	30,00
26	1	1 600 401 101	Rubber Ring	36,00	65	1	1 610 P00 276	Chuck Wrench	48,00
28	2	1 600 400 038	Connecting Cable	34,00	66	1	1 010 354 016	Hexagon Socket Screw	90,00
21	1	2 600 101 895	Shim washer 0.2 MM	43,00	601	1	1 600 400 029	Housing Set	310,00
34	1	1 616 P00 019	Protection cover	44,00	602	1	1 604 010 210	Armature	264,00
36	1	1 616 P00 028	Protection cover	60,00	604	1	1 607 200 269	Switch	140,00
46	1	1 616 P13 025	Output Shaft	67,00	610	1	1 610 P13 021	Carbon-Brush Set	60,00
47	1	2 610 015 051	groove ball bearing	70,00	603	1	1 607 200 198	Bracket	514,00
48	1	1 616 P00 026	groove ball bearing	41,00	602	1	1 607 200 307	Base Plate	263,00
49	1	1 616 P00 481	Gear	130,00					
53	1	1 616 P00 446	Flange	72,00					
54	1	1 000 940 007	O-Ring	38,00					
56	1	1 616 P13 030	Sealing washer	48,00					
60	1	1 616 P13 031	Washer	60,00					
67	1	1 616 P00 273	Hex Screw	61,00					
68	1	1 616 P13 032	O-Ring	28,00					

Please observe: Repairing, modifying and testing of electric tools are to be performed professionally. The safety regulations according to IEC, EN, VDE, AFNOR and other regulations of the individual countries are to be observed. Subject to change.

The price list supersedes all previous editions. Prices are subject to change without any prior notice.

3 601 C4A 0F1
Marble Cutter | Fig. 4/10

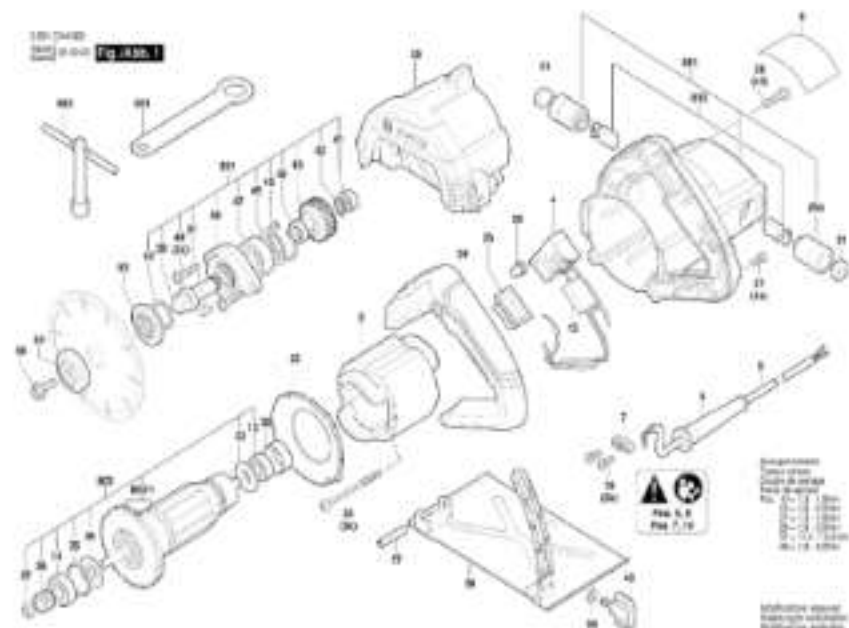
Werkzeuge werden
Ausdrück- oder
Drückknöpfe
nicht mitgeliefert.



2 / 3

Model: 3 601 C4A 0F1 = 220

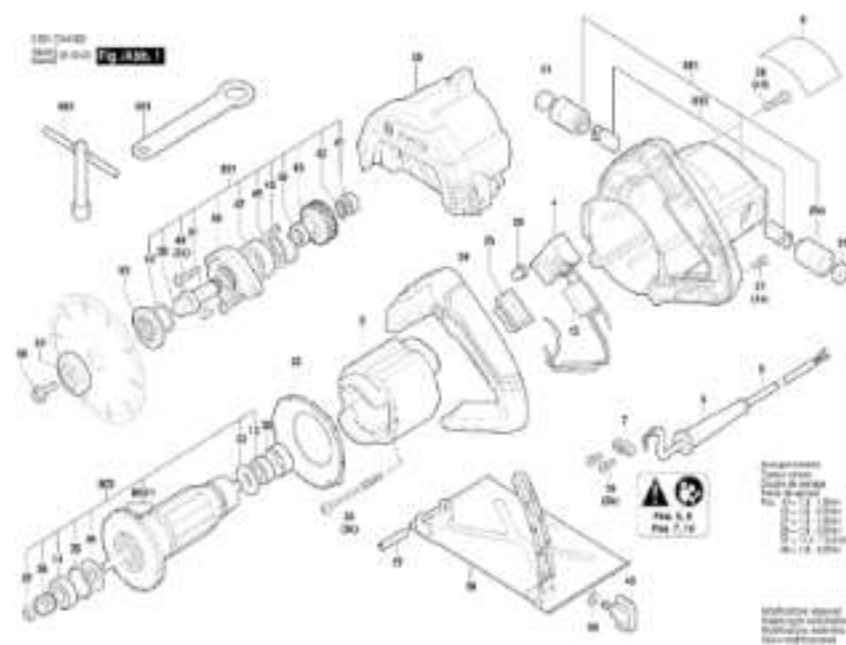
Item	Pc.	Order no.	Description	LF in / NR	Item	Pc.	Order no.	Description	LF in / NR



Model: 3 601 C44 1F0 = 220

Item	Pc	Order no.	Description	LF in EUR	Item	Pc	Order no.	Description	LF in EUR
3	1	1 616 P65 204	Field	610,00	38	1	1 616 P67 202	Gear Box	60,00
4	1	1 616 P65 523	Switch	143,00	39	1	1 616 P65 730	Washer	30,00
5	1	1 616 P67 230	Power supply cord		40	1	1 616 P65 732	Wing Screw	30,00
6	1	1 616 P65 767	Cord guard	30,00	41	1	1 616 P65 737	groove ball bearing	60,00
7	1	1 616 P65 703	Cable Clip	30,00	42	1	1 616 P65 731	Spring retaining ring	27,00
8	1	1 616 P67 201	Nameplate		43	1	1 616 P67 204	Pinion	21,00
10	1	1 616 P65 771	Capacitor	30,00	44	1	1 616 P65 733	Washer	37,00
11	1	1 616 P65 706	groove ball bearing	61,00	45	1	1 616 P65 733	Spring retaining ring	27,00
14	1	1 616 P65 709	groove ball bearing	61,00	46	1	1 616 P65 734	Washer	27,00
15	2	1 616 P65 745	Screw	30,00	47	1	1 616 P65 730	groove ball bearing	60,00
20	1	1 616 P65 703	Air-Deflector Ring	30,00	48	1	1 616 P65 735	Upper guard	27,00
21	2	1 616 P65 704	Screw	30,00	49	2	1 616 P65 736	Screw	24,00
24	1	1 616 P65 704	Hexbolt	105,00	50	1	1 616 P65 735	Outer Shaft	160,00
26	1	1 616 P65 712	Cap	184,00	51	1	800 A02 3F0	Woodruff Key	27,00
27	4	1 616 P65 736	Screw	30,00	52	1	1 616 P65 735	Rubber Ring	27,00
28	5	1 616 P65 736	Screw	30,00	53	1	1 616 P65 737	Clamping Flange	30,00
30	1	1 616 P65 773	Cap	30,00	54	1	1 616 P65 738	Clamping Flange	37,00
31	2	1 616 P65 750	Insulating Cap	30,00	55	1	1 616 P65 739	Bolt	30,00
32	1	1 616 P65 775	Sealing Sleeve	30,00	56	1	1 616 P67 205	Base	210,00
33	1	1 616 P65 778	Rubber Ring	27,00	57	1	1 616 P65 751	Stripped Spring Pin	30,00
34	1	1 616 P65 777	Washer	27,00	58	1	1 616 P65 742	Spanner	43,00
36	1	1 616 P65 776	Rectangular Ring	37,00	59	1	1 616 P65 743	Socket Wrench	59,00
38	1	1 616 P67 203	Gear	77,00	60	1	1 616 P65 211	Housing Set	418,00
37	1	1 616 P65 779	Hex Nut	27,00	60	1	1 616 P67 206	Armature assembly	1341,00

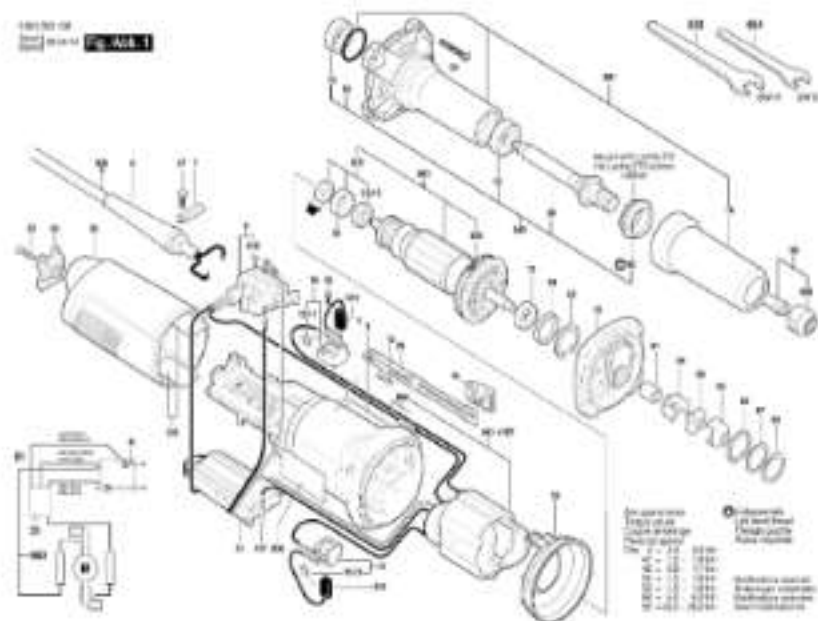
Please observe: Repairing, modifying and testing of electric tools are to be performed professionally. The safety regulations according to IEC, EN, VDE, AFNOR and other regulations of the individual countries are to be observed. Subject to change. The price list supersedes all previous editions. Prices are subject to change without any prior notice. Page 103 of 277



Model: 3 601 C44 1F0 = 220

Item	Pc	Order no.	Description	LF in EUR	Item	Pc	Order no.	Description	LF in EUR
0031	1	1 616 F62 180	Armature assembly	737,00					
010	1	1 616 F65 015	Carbon Brush	82,00					
020	1	1 616 F67 227	Spindle assembly	821,00					

1 601 928
 1 601 929

PK 408.1


1 / 2

Model: 3 601 B21 100 = 230

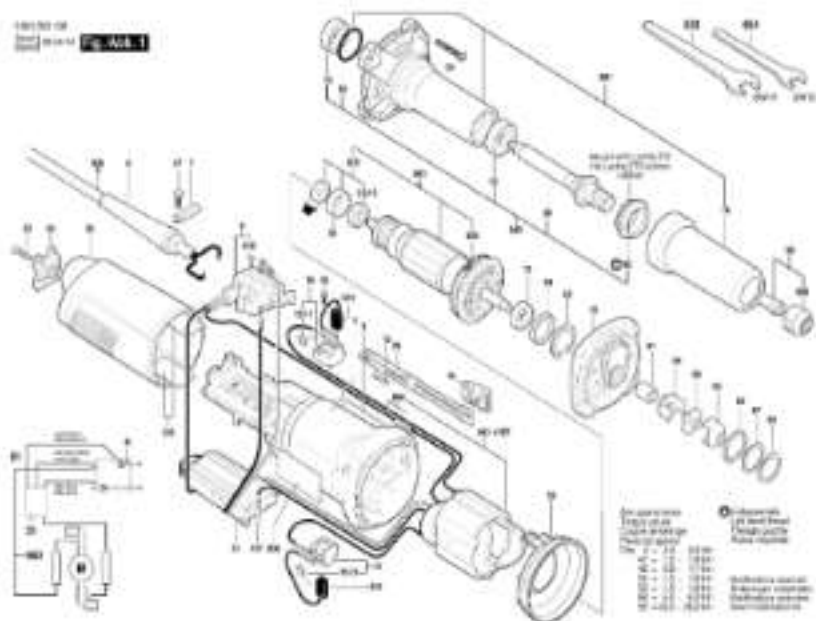
Item	Pc	Order no.	Description	LF in EUR	Item	Pc	Order no.	Description	LF in EUR
1	1	3 601 100 224	Motor Housing	224,00	67	1	2 601 100 211	Shim	92,00
3/3/13	1	2 601 608 030	Ball Bearing 7x15x6	154,00	69	1	1 710 100 001	Shim 0,10 mm	97,00
4	1	1 601 300 100	Switch	301,00	70	1	3 601 700 220	Intermediate Flange	2 200,00
5	1	1 601 700 040	Grommet	71,00	72	1	1 601 300 030	groove ball bearing 3x22x7	35,00
7	1	1 601 300 017	Fastening Clutch	31,00	74	1	3 601 010 100	groove ball bearing	522,00
8	1	3 601 110 024	Manufacturer's nameplate		75	1	3 601 010 107	groove ball bearing	522,00
16	2	1 601 320 025	Brush Holder	98,00	79	1	3 601 500 104	Protective Sleeve	234,00
16/17	1	1 604 500 010	Spiral Spring	48,00	80	1	3 601 520 070	Drivring Bundle	1 230,00
18	1	1 601 020 030	Switch Handle	32,00	81	1	3 601 400 034	Spacer Sleeve	148,00
19	1	1 604 811 020	Compression Spring	40,00	83	1	3 601 440 047	Coupling Half	675,00
20	1	1 601 310 010	Adjusting Slide BLACK	90,00	84	1	3 601 440 047	Coupling Half	675,00
24	1	1 601 600 027	Cover	84,00	85	1	3 601 300 040	Center	31,00
25	1	1 601 500 021	Housing Cover DARK	224,00	90	1	2 601 030 474	Clamping Unit 26 mm	430,00
26	1	1 601 020 030	Rubber Ring	49,00	98	1	3 601 300 040	Flange LEFT/HAND	490,00
28	1	1 601 601 020	Air-Deflector Ring	75,00	106	0	1 601 030 030	Insulating Plate	35,00
47	1	2 601 400 021	Tool Over-Head Bolt	31,00	107	1	1 601 710 030	Insulating Part	47,00
48	2	1 913 430 034	Lens Head Screw 2X10 BT	140,00	083	1	3 601 300 034	Single-Head Eng. Wrench	324,00
50	1	2 601 400 020	Tool Over-Head Screw	31,00	084	1	3 601 300 020	Single-Head Eng. Wrench	280,00
51	1	1 601 230 400	Speed governor	2 319,00	002	1	3 601 030 470	Pole Shoe 230V	2 540,00
53	4	2 601 400 020	Tool Over-Head Screw	32,00	003	1	3 601 030 470	Armature 230V	3 495,00
55	1	1 601 110 011	Retaining clip	52,00	005	1	1 601 030 290	Power supply cord EU	3 707,00
53	1	1 601 300 020	Rubber Ring	29,00	008	1	1 601 110 040	Nameplate	
54	1	1 910 210 101	O-Ring 26 0X2.0 MM	55,00	010	1	1 601 014 170	Carbon-Brush Set	244,00
55	1	2 415 000 010	Spring retaining ring DIN	31,00	010	1	1 601 030 430	Carbon-Brush Set	2 350,00

Please observe: Repairing, modifying and testing of electric tools are to be performed professionally. The safety regulations according to IEC, EN, VDE, AFNOR and other regulations of the individual countries are to be observed. Subject to change.

The price list supersedes all previous editions. Prices are subject to change without any prior notice.

60210100
GG 8 28 LCE
20120210

REPAIR KIT



For spare parts
identify the
correct spare
part by the
item number
The following
table lists the
spare parts
for the repair
kit

For spare parts
identify the
correct spare
part by the
item number
The following
table lists the
spare parts
for the repair
kit

2 | 2

Model: 3 601 B21 100 - 230

Item	Pc	Order no.	Description	LF in EUR	Item	Pc	Order no.	Description	LF in EUR
916	1	1 607 300 376	Parts Set	323,00					
918	1	2 610 110 046	Part head screw DIN	32,00					
938	1	1 602 810 109	Fan	54,00					
969	1	1 604 440 003	Connecting Cable	47,00					
981	1	3 607 031 058	Spindle Housing	339,00					
990	1	3 607 031 897	Grinding Spindle	878,00					
990	1	3 603 313 016	Round Nut	38,00					

Please observe: Repairing, modifying and testing of electro-tools are to be performed professionally. The safety regulations according to IEC 601 104, AFNOR and other regulations of the individual countries are to be observed. Subject to change.

The price list supersedes all previous editions. Prices are subjected to change without any prior notice.

1 601 B24 0K0

Power Tools

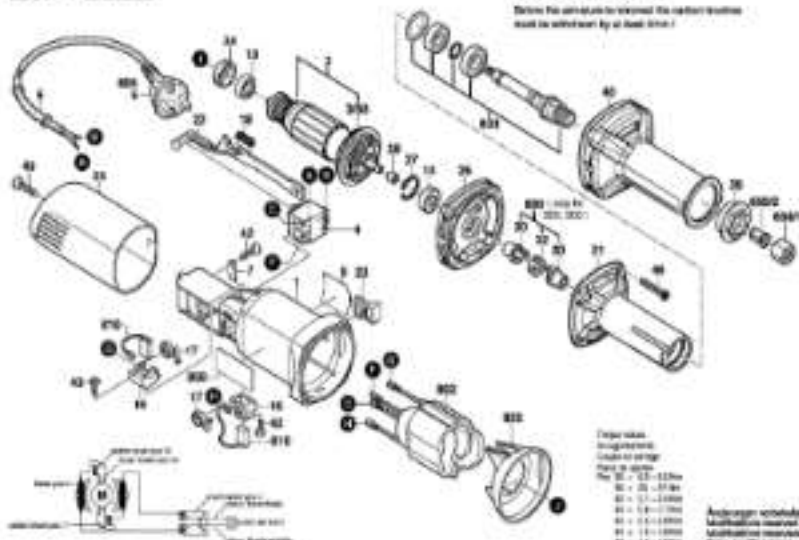
GG 3 3000 L

Gerät - Verzahnung

► für Geräte ohne das Gehäuse

Wandlungen ohne und/oder ohne ?

Before the assembly to remove the rubber housing must be withdrawn by the back cover ?



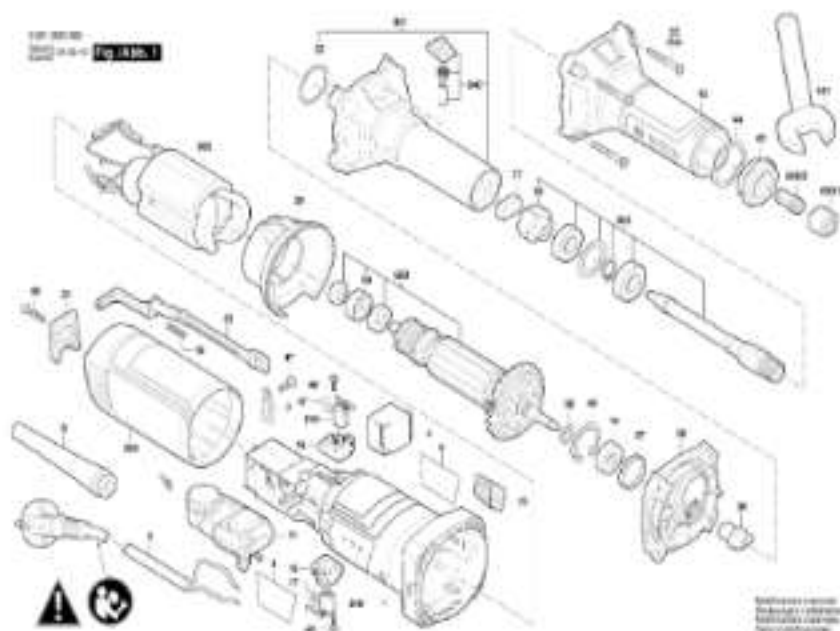
1 / 1

Model: 3 601 B24 0K0 = 230

Item	Pc	Order no.	Description	LF in EUR	Item	Pc	Order no.	Description	LF in EUR
1	1	1 610 P11 321	Motor Housing	285,00	40	1	1 610 P03 285	Protective Sleeve	185,00
3	1	1 610 P08 203	Armature 230V	1,214,00	42	1	2 609 110 582	Special Screw	47,00
300	1	1 600 810 141	Fan	31,00	43	2	1 610 P03 220	Top Over-head Screw	31,00
4	1	1 607 200 173	On-Off Switch	132,00	46	1	2 010 511 220	Tapping Screw DIN	45,00
5	1	1 604 400 200	Power supply cord GB	329,00	48	4	1 610 P06 259	Top Over-head Screw	35,00
6	1	2 602 703 010	Grommet OS 5-20, 5x20	25,00	650/1	1	1 610 P03 282	Lock nut	255,00
7	1	1 601 200 017	Fastening Clamps	31,00	650/2	1	1 610 P11 661	Colet	204,00
9	1	1 610 P09 283	Manufacturer's nameplate		801	1	1 610 P09 235	Flux 230V	973,00
13	1	1 610 P08 020	groove ball bearing	217,00	802	1	1 607 000 337	Power supply cord CN	280,00
14	1	1 610 P00 455	Ball Bearing	35,00	803	1	1 610 P04 485	Nameplate	
16	2	1 610 P01 211	Brush Holder	31,00	803	1	1 610 P09 490	Nameplate	
17	2	1 604 850 010	Spiral Spring	45,00	810	1	1 607 014 146	Carbon-Brush Set	54,00
18	1	1 604 811 231	Compression Spring	25,00	829	1	1 600 591 023	Air-Deflector Ring	55,00
21	1	1 610 P10 238	Spindle Housing	1,071,00	832	1	1 610 P09 283	Spindle Assembly	1 420,00
22	1	1 600 310 000	Adjusting Slide	31,00					
23	1	1 610 P02 752	Switch Button BLACK	31,00					
24	1	1 600 800 023	Intermediate Ring	71,00					
25	1	1 610 P09 265	Housing Cover BLUE	263,00					
26	1	1 610 P09 230	Intermediate Flange	573,00					
27	1	1 610 P03 281	Retaining snap ring	34,00					
28	1	1 610 P00 434	Sleeve Ring	120,00					
30	2	1 610 P09 283	Connector	200,00					
32	1	1 610 P03 282	Adjusting Ring	35,00					
35	1	1 610 P11 770	Cap Nut	165,00					

Please observe: Repairing, modifying and testing of electric tools are to be performed professionally. The safety regulations according to IEC, EN, VDE, AFNOR and other regulations of the individual countries are to be observed. Subject to change.

The price list supersedes all previous editions. Prices are subject to change without any prior notice.



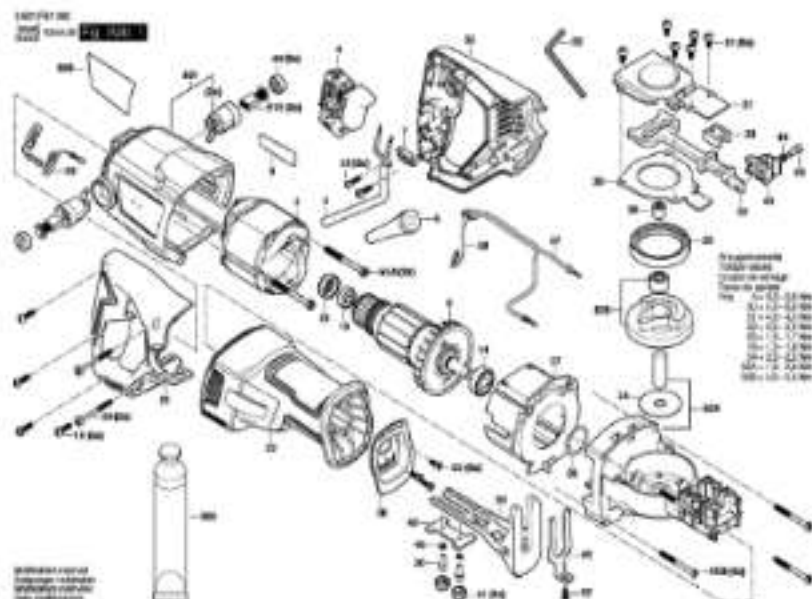
1 / 2

Model: 3 601 BBS 0F0 = 230

Item	Pc	Order no.	Description	LF in EUR	Item	Pc	Order no.	Description	LF in EUR
1	1	1 619 P20 239	Motor Housing	171,00	42	1	1 619 P20 085	Protection Sleeve	143,00
4	1	1 607 200 318	Switch	126,00	44	1	1 619 P20 088	Washer	35,00
5	1	1 619 P10 507	Power supply cord IHD		45	1	1 619 P20 204	Cap Nut	170,00
6	1	1 600 703 030	Commuter	67,00	47	1	2 600 110 002	Special Screw	47,00
7	1	1 601 302 017	Fastening Clamps	31,00	48	2	1 619 P20 220	Torque Over-Head Bolts	31,00
8	1	1 619 P21 280	Nameplate		50	1	1 619 P20 100	Torque Over-Head Screws	31,00
9	1	1 619 P20 070	Manufacturer's nameplate		51	1	1 607 203 042	Speed governor	1 274,00
14	1	1 619 P13 133	groove oil bearing	119,00	55	4	1 619 P20 250	Torque Over-Head Screw	30,00
16	2	1 600 400 R01	Brush Holder	40,00	60/1	1	1 619 P20 262	Lock nut	260,00
17	2	1 604 862 013	Spiral Spring	40,00	60/2	1	1 619 P11 061	Coil	204,00
18	1	1 619 P11 487	Compression Spring	34,00	601	1	1 619 P21 109	Single-Head Eng. Wrench	164,00
21	1	1 619 P20 083	Cap	27,00	602	1	1 619 P21 346	Field	1 314,00
22	1	1 619 P20 040	Adjusting Slide	27,00	603	1	1 619 P21 340	Armature	1 200,00
23	1	1 619 P21 181	Switch Button	27,00	610	1	1 619 P21 172	Carbon Brush Set	164,00
26	1	1 619 P21 374	Rubber Ring		625	1	1 619 P21 173	Housing Cover	140,00
27	1	1 600 208 028	Rubber Ring	26,00	631	1	1 619 P21 340	Spindle Housing	1 071,00
28	1	1 619 P20 060	Intermediate Flange	310,00	632	1	1 619 P21 340	Spindle Assembly	660,00
29	1	1 619 P20 089	Air-Deflector Ring	35,00	640	1	1 619 P21 364	Push Button	110,00
32	1	1 619 210 101	O-Ring 26.0X2.0 MM	66,00					
36	1	1 619 P20 027	Washer	31,00					
37	1	1 619 P20 062	Damper	27,00					
38	1	1 619 P20 080	Coupling Half	60,00					
39	1	1 619 P20 081	Coupling Half	60,00					
40	1	1 500 119 011	Retaining clip	62,00					

Please observe: Repairing, modifying and testing of electric tools are to be performed professionally. The safety regulations according to IEC 61158, AF104 and other regulations of the individual countries are to be observed. Subject to change.

The price list supersedes all previous editions. Prices are subject to change without any prior notice.



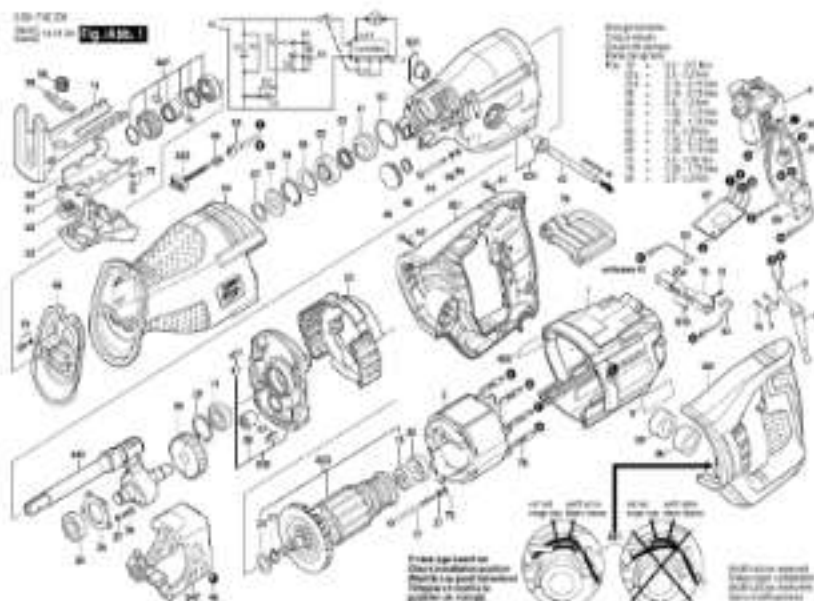
1/1

Model: 3 601 FB1 0F0 = 220

Item	Pc	Order no.	Description	LF in EUR	Item	Pc	Order no.	Description	LF in EUR
2	1	1 604 220 011	Field	1,390,00	40	1	1 610 P14 206	Plate	200,00
3	1	1 604 210 076	Armature	2,547,00	41	1	1 610 P14 207	Cover	170,00
4	1	1 607 200 393	Switch	680,00	42	1	1 610 P14 190	Plate	250,00
5	1	1 610 P10 363	Power supply cord (NO)		43	1	1 610 P14 434	Quick-Clamping Device	350,00
6	1	2 600 703 016	Blommet Ø7,5-Ø8,5x75	29,00	44	2	1 610 P05 280	Insulating Cap	90,00
7	1	1 610 P08 313	Cable Clip	31,00	45	2	2 610 803 008	Spring Lock Washer DIN	30,00
8	1	1 610 P10 154	Manufacturer's nameplate		46	3	1 610 P11 430	Hex Socket Head Cap	91,00
12	1	1 610 P00 480	Ball Bearing 70x15x5 MM	80,00	51	8	1 610 426 014	Tox Over-head Screw	30,00
14	1	1 610 P10 481	Ball Bearing	118,00	52	4	1 610 P01 573	Screw	31,00
15	4	2 603 426 023	Tox Over-head Screw	31,00	53	2	2 603 426 023	Screw 4x15	30,00
22	1	1 610 P10 082	Insulating Sleeve	947,00	54	2	1 610 200 593	Screw	31,00
23	1	1 610 P08 027	Rubber Ring	31,00	55	8	1 610 P01 508	Screw	34,00
26	1	2 600 614 017	Needle bearing 26x12 MM	350,00	56	2	1 610 P01 080	Connecting Cable	58,00
28	1	1 610 P10 018	Thrust Ring	140,00	57	1	1 610 P14 209	Connecting Cable	34,00
30	1	1 610 P10 010	Cover Plate	280,00	58	1	1 610 P14 210	Connecting Cable	90,00
31	1	1 610 P14 211	Cover Plate	478,00	59	1	1 610 P11 430	Hexagon Socket Wrench	91,00
32	1	1 610 P10 011	Lifting Rod	1,730,00	601	1	1 610 P13 213	Motor Housing	550,00
33	1	1 610 P10 017	Bushing	36,00	602	1	1 610 P10 119	Nameplate	
34	1	1 610 P14 340	Stem	190,00	610	1	1 610 P10 083	Carbon-Brush Set	201,00
35	1	1 610 P10 028	Set Of Handles	717,00	624	1	1 610 P10 216	Gear Housing	1,497,00
36	1	F 000 840 007	O-Ring	36,00	625	1	1 610 P10 317	Bevel Gear Set	1,900,00
37	1	1 610 P14 073	Air-Deflector Ring	393,00	630	1	2 600 420 003	Grease Tube ALSIDA	1,910,00
38	1	1 610 P14 201	Protective Cover	318,00					
39	1	1 610 P14 202	Supporting foot	617,00					

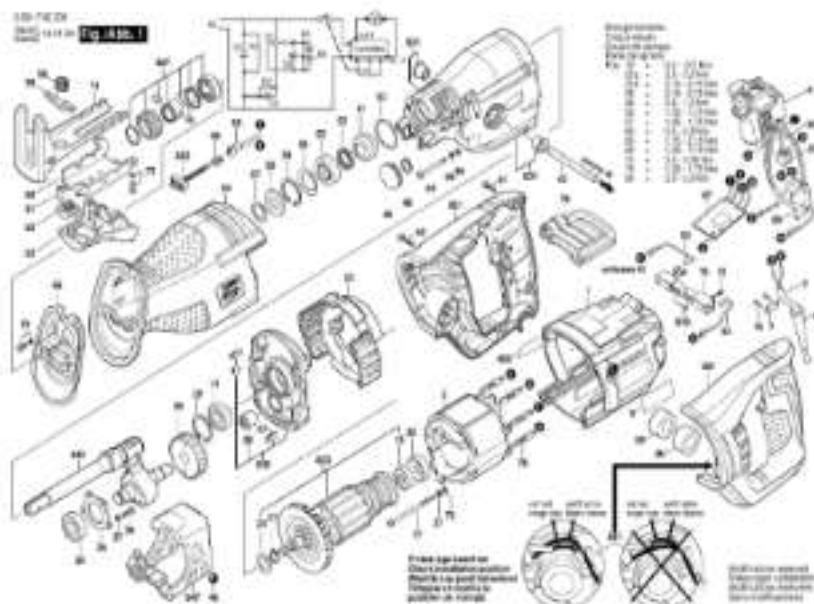
Please observe: Repairing, modifying and testing of electric tools are to be performed by professional. The safety regulations according to IEC, EN, VDE, AFNOR and other regulations of the individual countries are to be observed. Subject to change.

The price list supersedes all previous editions. Prices are subject to change without any prior notice.



Model: 3 601 F4E 2K0 = 230

Item	Pc	Order no.	Description	LF in EUR	Item	Pc	Order no.	Description	LF in EUR
1	1	2 610 013 221	Motor Housing	642,00	48	2	2 610 013 240	Steel ball	37,00
2	1	2 610 016 551	Stator 230-240V	1.940,00	49	1	2 610 006 983	Retaining clip	31,00
4	1	2 610 013 420	Switch	1.280,00	49	1	2 610 006 982	Sealing cap	83,00
5	1	2 610 007 172	Power supply cord		60	1	2 610 000 281	O-Ring	37,00
6	1	2 610 000 000	Cord guard	34,00	61	1	2 610 006 980	Bushing	134,00
7	1	2 610 010 000	Clamp Bracket	31,00	62	1	2 610 000 070	Seal Ring	490,00
10	1	2 610 010 004	Ball Bearing	202,00	63	1	2 610 000 070	Sintered-metal Bushing	141,00
14	1	2 610 000 009	groove ball bearing	203,00	64	1	2 610 006 970	Spring Washer	80,00
16	2	2 610 000 074	Brush Holder	74,00	65	1	2 610 000 070	Retaining clip	37,00
18	4	2 610 010 013	Thread-forming tap. Screw	31,00	65	1	2 610 000 074	Felt Washer	37,00
19	2	2 610 000 007	Tapping Screw	31,00	67	1	2 610 006 973	Washer	37,00
22	1	2 610 000 070	Terminal Block	78,00	68	1	2 610 010 018	Compression Spring	34,00
23	1	2 610 013 213	Baffle	244,00	69	1	2 610 006 980	O-ring	114,00
24	1	2 610 010 000	Washer	31,00	60	1	2 610 000 000	Support Plate	118,00
26	1	2 610 013 240	Bearing Sleeve	37,00	61	1	2 610 013 230	Shaft	78,00
27	1	2 610 010 001	Retaining clip	30,00	62	1	2 610 013 233	Push Button	37,00
28	1	2 610 000 207	Needle-Roller Bearing	107,00	63	1	2 610 013 234	Housing Cover	87,00
29	1	2 610 000 008	Retaining clip	40,00	64	1	2 610 010 130	Insulating sleeve	844,00
34	1	2 610 000 000	Ball Bearing	202,00	65	4	2 610 013 400	Thread-forming tap. Screw	100,00
36	1	2 610 000 207	Retaining Plate	87,00	66	1	2 610 016 004	Cover Plate	117,00
38	4	2 610 000 000	Thread-forming tap. Screw	37,00	74	1	2 610 010 016	Supporting foot	830,00
37	0	1 610 P04 020	Spring Washer	31,00	75	0	2 610 010 020	Screw	37,00
39	1	2 610 000 204	Conversion Gear	403,00	76	0	2 610 010 100	Locking washer	33,00
42	1	2 610 013 237	Dowel pin	85,00	77	2	2 610 010 000	Thread-forming tap. Screw	37,00

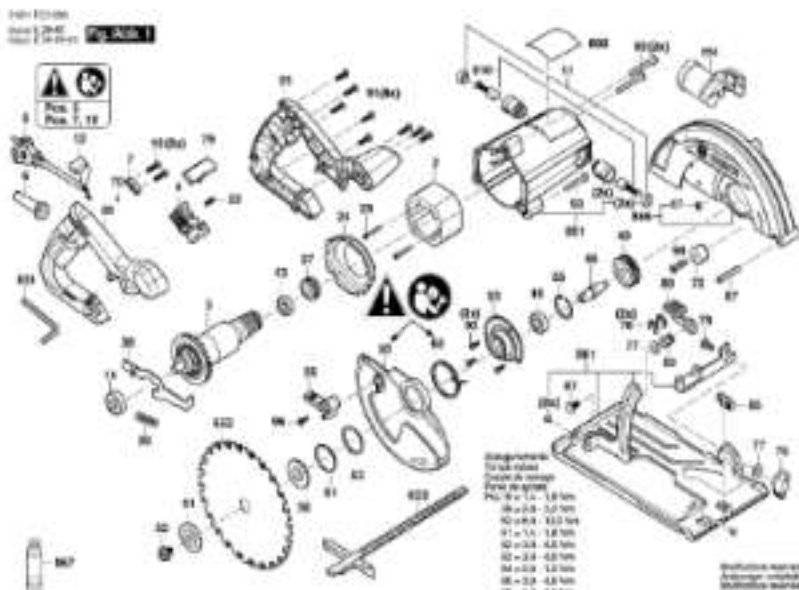


Model: 3 601 F4E 2K0 = 230

Item	Pc	Order no.	Description	LF in EUR	Item	Pc	Order no.	Description	LF in EUR
75	3	2 610 268 375	connecting terminals	40,00					
76	1	2 610 016 555	Assembly Hook	321,00					
80	2	2 610 013 242	Drummet	94,00					
82	1	1 610 P04 321	Receptacle	46,00					
87	1	2 610 016 527	Circuit Unit	353,00					
88	1	2 610 016 828	Connector	36,00					
89	1	1 610 P42 267	Electronics Module	1.528,00					
90	2	2 610 928 054	Tapping Screw	21,00					
91	4	2 610 928 055	Tapping Screw	60,00					
93	1	2 610 014 548	Connecting Cable	37,00					
94	1	2 610 014 549	Connecting Cable	36,00					
95	3	2 610 016 549	Lead Wire	116,00					
96	3	2 610 016 548	Spring Washer	35,00					
97	2	2 610 021 276	Soft Pin	61,00					
983	1	2 610 016 527	Armature set 230-240V	3.021,00					
988	1	1 610 P42 374	Nameplate						
910	1	2 610 013 280	Carbon-Brush Set	327,00					
930	1	2 610 013 244	Bearing Bracket	677,00					
921	1	2 610 013 245	Front Housing	2.024,00					
940	1	2 610 013 207	Spindle Assembly	2.437,00					
947	1	2 610 013 246	Counterweight	2.943,00					
957	1	2 610 010 039	Blade Holder	783,00					
959	1	2 610 013 246	Set Of Handles	1.074,00					
963	1	2 610 016 528	Electronic Assembly	360,00					

Please observe: Repairing, installing and testing of electric tools are to be performed professionally. The safety regulations according to IEC, EN, VDE, AFNOR and other regulations of the individual countries are to be observed. Subject to change.

The price list supersedes all previous editions. Prices are subject to change without any prior notice.

1001 91000
 Bosch Power Tools


Dimensions
 in mm unless
 otherwise stated
 For reference
 only

70	10 x 1.0	1.8 mm
71	10 x 0.8	0.5 mm
72	10 x 0.8	0.5 mm
73	10 x 0.8	0.5 mm
74	10 x 0.8	0.5 mm
75	10 x 0.8	0.5 mm
76	10 x 0.8	0.5 mm
77	10 x 0.8	0.5 mm
78	10 x 0.8	0.5 mm
79	10 x 0.8	0.5 mm

 Dimensions shown
 in mm unless
 otherwise stated
 See instructions

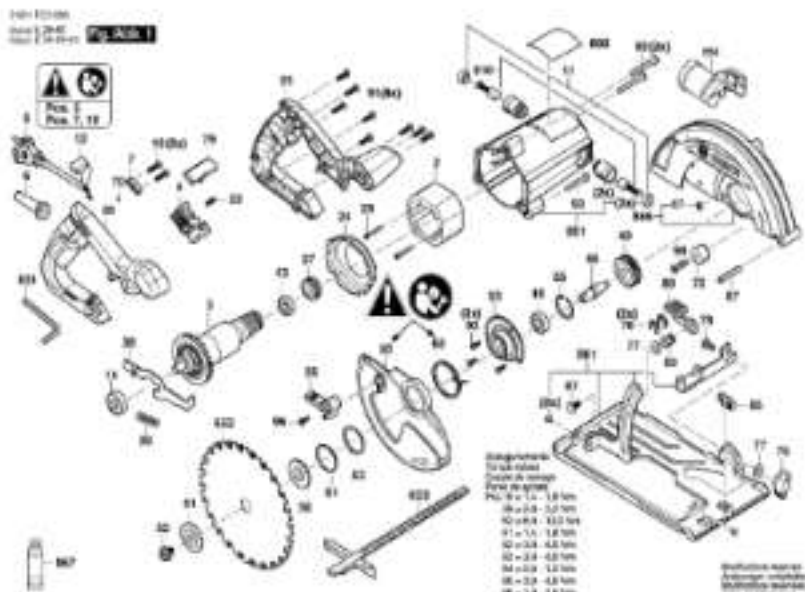
1 / 2

Model: 3 601 FC3 0F0 = 220

Item	Pc	Order no.	Description	LF in EUR	Item	Pc	Order no.	Description	LF in EUR
1	1	1 610 P60 410	Field	710,00	82	1	1 610 P60 437	Screw M5X12	27,00
2	1	1 610 P60 415	Armature	1,281,00	83	1	1 610 P60 437	Bearing Flange	160,00
3	1	1 610 P60 390	Switch	230,00	84	1	1 610 P60 435	Retaining ring P25	27,00
4	1	1 610 PCC 610	Power supply cord		85	1	1 610 P60 430	Lower guard	490,00
5	1	1 610 P60 320	Blommet	30,00	86	1	1 610 P60 431	Lever	30,00
6	1	1 610 P60 400	Cable Clip	27,00	87	1	1 610 P60 430	Spine Spring	27,00
7	1	1 610 P60 409	Insulating Cap	30,00	88	1	1 610 P60 430	Locking washer	27,00
8	1	1 610 P60 414	Ball Bearing 6008	94,00	89	1	1 610 PCC 246	Flange Bushing	30,00
9	1	1 610 P60 410	Ball Bearing 6000RD	60,00	90	1	1 610 P60 430	Slotted Spring Pin	27,00
10	2	1 610 PCC 000	Screw SCRB/N ST 4X16	27,00	91	1	1 610 P60 355	O-Ring	27,00
11	1	1 610 P60 390	Compression Spring	27,00	92	1	1 610 P60 421	Bumper	30,00
12	1	1 610 P60 410	Geffe	30,00	93	1	1 610 P60 448	Wing Nut	27,00
13	1	1 610 P60 401	Handle	170,00	94	2	1 610 P60 440	Retaining ring P5	27,00
14	1	1 610 P60 394	Handle	170,00	95	2	1 610 P60 441	Washer	27,00
15	1	1 610 P60 410	Rubber Ring	30,00	96	1	1 610 P60 448	Round-Head Bolt	27,00
16	2	1 610 P60 411	Scrubs 40SC	27,00	97	1	1 610 P60 367	Switch Button	27,00
17	1	1 610 P60 417	Guide Bracket	70,00	98	1	1 610 P60 430	Lever	30,00
18	1	1 610 P60 410	Compression Spring	27,00	99	2	1 610 P60 435	Adjusting Nut	30,00
19	1	1 610 P60 434	Shaft	171,00	100	1	1 610 P60 447	Wing Screw	30,00
20	1	1 610 P60 420	Plain bearing	27,00	101	1	1 610 P60 443	Screw	27,00
21	1	1 610 P60 420	Ball Bearing 6001	60,00	102	3	1 610 P60 403	Screw 4X16	27,00
22	1	1 610 P60 420	Cylindrical Gear	280,00	103	2	1 610 P60 404	Screw M5X40	27,00
23	1	1 610 P60 434	Inner Disc	30,00	104	1	1 610 P60 435	Screw M5X35	27,00
24	1	1 610 P60 435	Locking washer	70,00	105	1	1 610 P60 432	Screw M5X25	27,00

Please observe: Repairing, modifying and testing of electro-tools are to be performed professionally. The safety regulations according to IEC, EN, VDE, AFNOR and other regulations of the individual countries are to be observed. Subject to change.

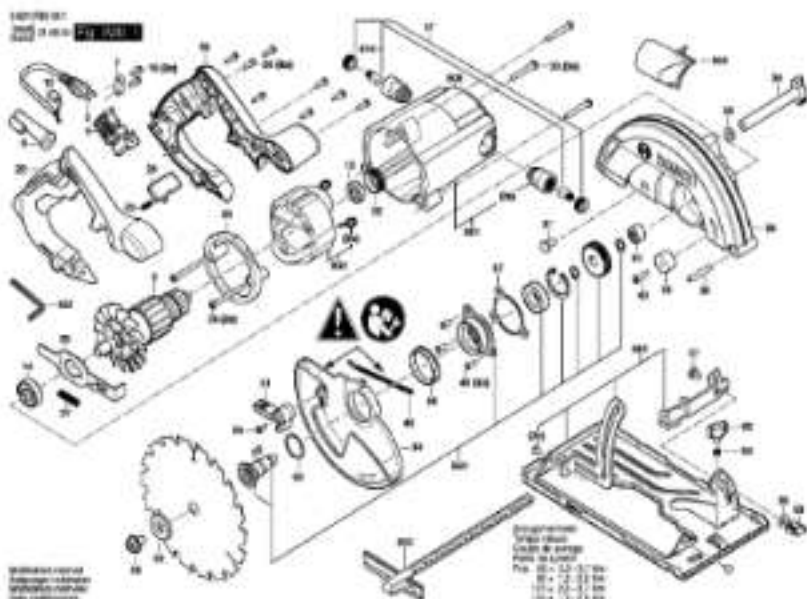
The price list supersedes all previous editions. Prices are subjected to change without any prior notice.

3 601 FC3 0F0
 Bosch Power Tools


2 / 3

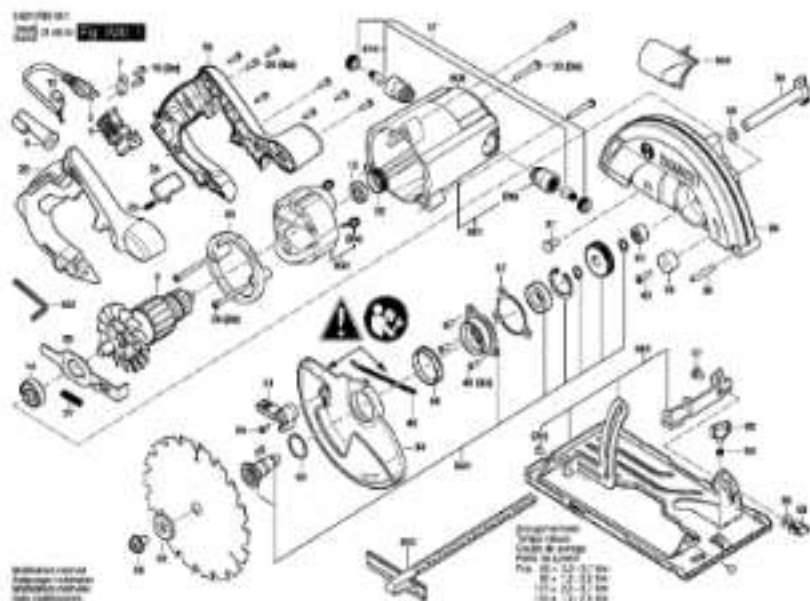
Model: 3 601 FC3 0F0 - 220

Item	Pc	Order no.	Description	LF in EUR	Item	Pc	Order no.	Description	LF in EUR
35	2	1 616 P62 425	Screw M3X16	27,00					
36	1	1 616 P62 435	Screw M4X16	27,00					
37	1	1 616 P62 400	Offset Screwdriver	37,00					
38	1	1 616 P62 437	Circular Saw Blade						
39	1	1 616 P62 451	Wipe Pencil	35,00					
39A	1	1 616 P62 234	Vacuum Adapter	103,00					
39H	1	1 616 P60 211	Motor Housing	395,00					
39J	1	1 616 P60 475	Nameplate						
39K	1	1 616 P60 313	Carbon-Brush Set	141,00					
39L	1	1 616 P60 314	Base Plate	555,00					
39M	1	1 616 P60 315	Upper Guard	1 030,00					
39T	1	805 420 000	Grease Tube 225 ML	1 030,00					



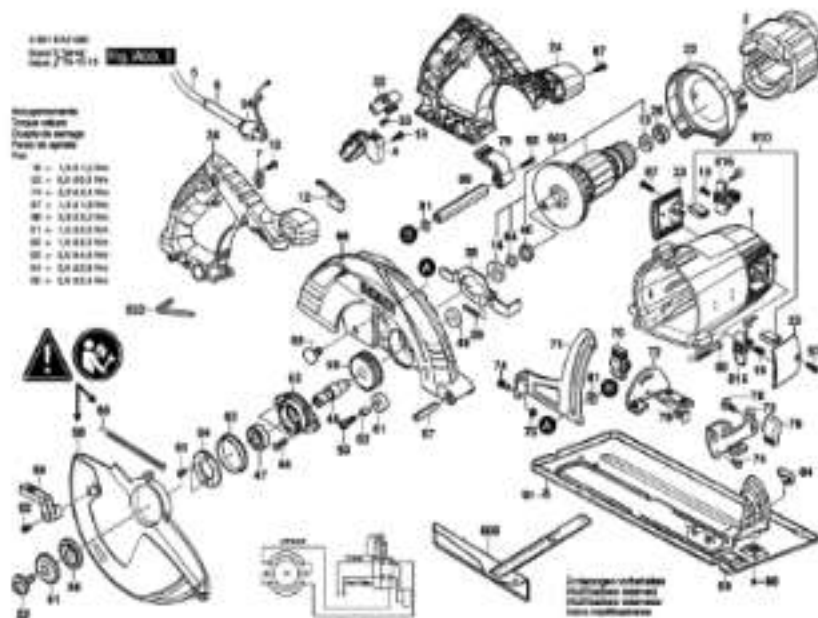
Model: 3 601 FBS 0F0 = 230

Item	Pc	Order no.	Description	LF in EUR	Item	Pc	Order no.	Description	LF in EUR
2	1	1 604 210 221	Armature	122,00	26	1	1 610 F95 310	Upper guard	114,00
4	1	1 616 F63 945	Switch	220,00	37	1	1 600 400 3AK	Bolt	50,00
5	1	1 616 F64 777	Power supply cord		38	1	1 604 602 02A	Spiral Spring	67,00
6	1	1 616 F62 942	Power supply cord	262,00	39	1	1 600 400 35A	Rubber Base	115,00
8	1	800 103 04F	Grommet	50,00	40	1	1 603 430 11K	Screw	31,00
7	1	1 600 400 58B	Fastening Clamp	31,00	41	1	1 600 400 28L	groove ball bearing	102,00
10	1	1 616 F63 948	Suppression Filter	72,00	42	3	1 603 430 01L	Screw	31,00
12	1	1 600 401 4nC	Bearing	111,00	43	1	1 604 602 02U	Spiral Spring	31,00
14	1	1 600 401 43P	Sealing	162,00	60	1	1 600 401 4FF	Lower guard	277,00
17	1	1 606 600 24L	Cover	80,00	61	1	1 600 401 4FE	Lever	31,00
18	2	1 603 430 01F	Screw	31,00	62	1	1 600 400 38T	Loop	67,00
22	1	1 606 132 17U	Handle	132,00	65	1	1 600 400 38V	Flange	218,00
23	1	1 604 602 02E	Spiral Spring	31,00	66	1	1 616 F64 471	Screw	102,00
24	1	1 600 401 4FE	Button	31,00	67	1	1 600 400 38Z	Bolt	31,00
26	1	1 606 132 17V	Handle	232,00	69	1	1 600 401 4FR	Knob	31,00
28	6	1 603 430 01G	Screw	31,00	69	1	1 600 401 4FE	Knob	31,00
27	1	1 604 602 02E	Spiral Spring	31,00	66	1	1 604 602 02E	Spiral Spring	31,00
28	1	1 600 401 4FA	Guide Bracket	67,00	65	1	1 603 430 01N	Screw	31,00
29	2	1 603 430 01H	Screw	31,00	66	1	1 600 401 4FT	Washer	31,00
30	1	1 600 601 08A	Air-Deflector Ring	60,00	67	1	1 600 401 73V	Sealing Plate	31,00
31	1	1 600 400 03A	Bearing Sleeve	31,00	68	1	1 610 F95 310	Vacuum Adapter	50,00
32	3	1 603 430 01V	Screw	31,00	68	1	1 600 400 28T	Hexagon Socket Wrench	118,00
34	1	1 600 601 47M	Brift-Lever Knob	31,00	69	1	1 600 401 64L	Guide	30,00
35	2	1 600 400 38H	Washer	31,00	60	1	1 616 F64 034	Motor Housing	242,00



Model: 3 601 FB3 0F0 = 230

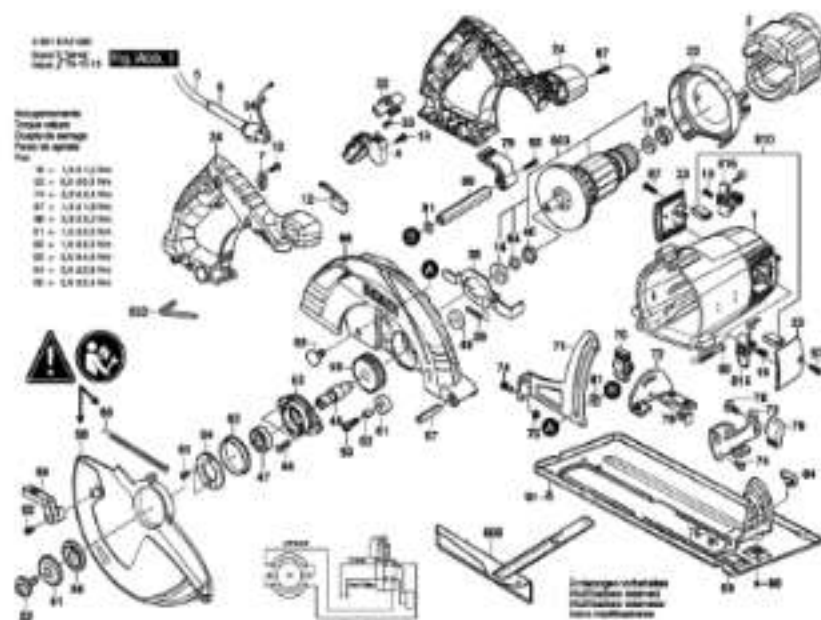
Item	Pc	Order no.	Description	LF in EUR	Item	Pc	Order no.	Description	LF in EUR
302	1	3 607 300 017	Field	741,00					
303	1	3 616 FB4 037	Nameplate						
304	1	3 616 FB4 774	Nameplate						
310	1	3 616 FB4 042	Carbon-Brush Set	277,00					
320	1	3 616 FB4 036	Bear	601,00					
321	1	3 616 FB4 035	Base Plate	647,00					


Model: 3 601 EA2 0F0 = 220

Item	Pc	Order no.	Description	LF in EUR	Item	Pc	Order no.	Description	LF in EUR
1	1	1 61 P10 210	Motor Housing	770,00	67	1	1 61 P01 030	Loading washer	100,00
2	1	1 61 P08 335	Field 230V	2,070,00	62	1	1 61 P01 034	Clamp Screw	45,00
3	1	1 61 300 030	Switch	770,00	63	1	1 61 P01 038	Sealing Flange	330,00
4	1	1 61 P02 327	Power supply cord		64	1	1 61 P01 020	Retaining Plate	54,00
5	1	2 60 703 013	Blommet Ø7 A-Ø8 2x35	71,00	65	1	1 600 400 322	Fixing Blade Guard	512,00
6	1	1 61 P01 134	Cable Clip	31,00	66	1	1 61 P01 031	Lever	54,00
10	1	1 61 P01 137	Suppression Filter	151,00	60	1	1 61 P01 032	Extension Spring	87,00
11	1	2 61 017 345	groove ball bearing	120,00	61	1	1 61 P01 033	Bumper	30,00
14	1	1 61 P08 006	groove ball bearing	120,00	68	1	1 61 P00 000	Spacer Tube	40,00
15	5	2 60 490 021	Torx Over-Head Screw	31,00	69	1	1 61 P01 035	Flange Bushing	45,00
20	1	1 61 P10 024	Waffle	75,00	64	1	1 61 P10 050	Waffle	54,00
21	2	1 61 800 800	Sealing cap	35,00	65	1	1 61 P08 020	Shut bolt	45,00
24	1	1 61 P10 020	Set Of Handles	385,00	66	1	1 61 P10 222	Protective Guard	2,270,00
26	1	1 60 200 030	Rubber Ring	49,00	67	1	2 61 730 100	Slotted Spring Pin DIN	70,00
30	1	1 61 P01 167	Change-Over Switch RED	44,00	69	1	1 61 P10 227	Base Plate	1,770,00
33	1	2 61 028 231	Compression Spring	43,00	71	1	1 61 P10 230	Depth-Gauge	170,00
34	1	1 61 P01 037	Strain-Relief Clamp	31,00	72	1	1 61 P10 233	Support bracket	140,00
38	1	1 61 P01 030	Guide Bracket	115,00	73	1	1 61 P10 239	Hinge	193,00
39	1	1 61 P01 042	Compression Spring	54,00	74	2	2 61 023 224	Shoulder Screw	40,00
40	1	1 61 P10 028	Bushing	87,00	75	2	2 61 081 003	Hex Nut DIN 934-M 6-6-A	93,00
46	1	1 61 P01 023	Sift	370,00	76	2	1 61 P01 030	Wing Nut	45,00
47	1	1 60 308 278	groove ball bearing	300,00	78	2	2 61 020 301	Round-Head Bolt DIN	30,00
48	1	1 60 308 173	groove ball bearing	101,00	79	1	1 61 P01 040	Adjusting Lever	31,00
49	1	1 61 P10 021	Gear	720,00	80	1	1 600 400 250	Red	130,00

Please observe: Repairing, modifying and testing of electric tools are to be performed professionally. The safety regulations according to IEC, EN, VDE, AFNOR and other regulations of the individual countries are to be observed. Subject to change.

The price list supersedes all previous editions. Prices are subjected to change without any prior notice.



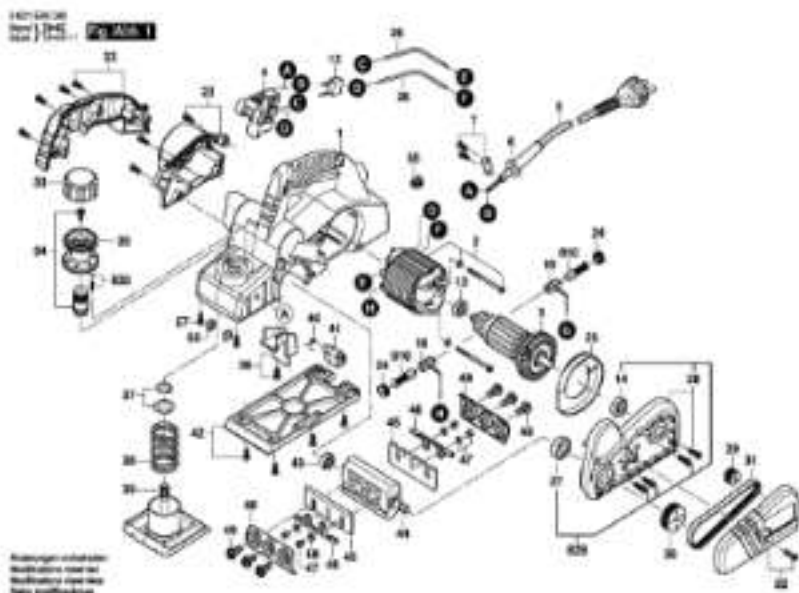
2 / 2

Model: 3 601 EA2 0F0 = 220

Item	Pc	Order no.	Description	LF in EUR	Item	Pc	Order no.	Description	LF in EUR
31	1	2 618 321 013	Plain Washer 3-37	31,00					
34	1	1 618 P01 018	Wing Screw BLACK	31,00					
37	2	2 603 400 002	Screw 4X16	30,00					
38	2	2 610 325 354	Screw	31,00					
39	1	1 618 P04 340	Adjusting Screw BLACK	31,00					
41	8	1 618 P01 077	Screw MEX10H	40,00					
42	1	1 618 P01 078	Screw	31,00					
43	1	1 618 P01 076	Screw	40,00					
44	2	1 618 P01 080	Screw MEX20H	40,00					
45	1	1 618 P01 073	Screw	31,00					
50	1	2 610 304 016	Hexagon Socket Bolt	60,00					
58	1	1 618 321 012	Wire Fence	130,00					
60	1	1 618 P10 475	Armature set 230V	338,00					
61	1	1 618 P10 476	Carbon-Brush Set	310,00					
61	2	1 604 328 048	Brush Holder	160,00					

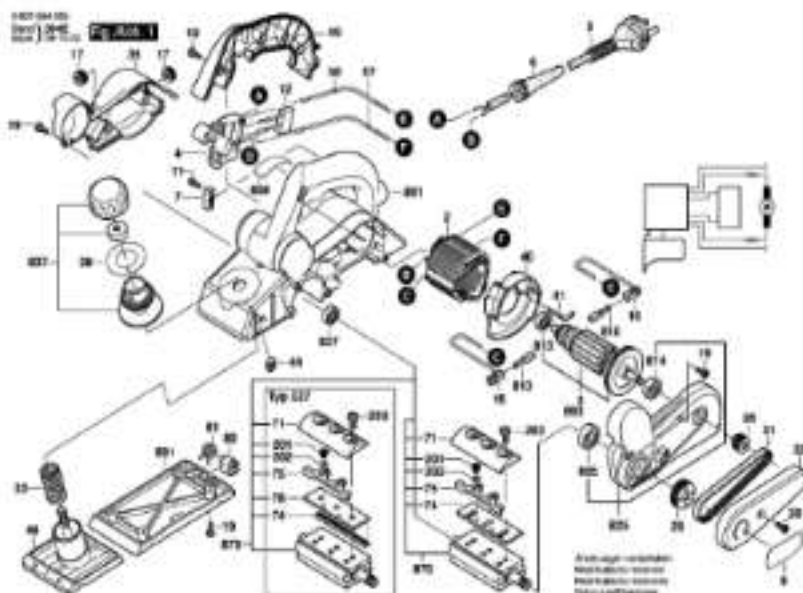
Please observe: Repairing, modifying and testing of electric tools are to be performed professionally. The safety regulations according to IEC, EN, VDE, AFNOR and other regulations of the individual countries are to be observed. Subject to change.

The price list supersedes all previous editions. Prices are subjected to change without any prior notice.



Model: 3 601 E9G 0K3 = 230

Item	Pc	Order no.	Description	LF in EUR	Item	Pc	Order no.	Description	LF in EUR
1	1	1 616 F67 000	Motor Housing	600,00	36	1	1 616 F63 005	Adjustment Knob	20,00
2	1	1 616 F67 001	Field 220-240V	694,00	38	1	1 616 F67 000	Cover	70,00
3	1	1 616 F67 003	Armature 220-240V	359,00	37	1	1 616 F63 007	Retaining snap ring	40,00
4	1	1 616 F67 002	Switch Kit	307,00	38	1	1 616 F63 008	Compression Spring	50,00
5	1	1 616 F67 019	Power supply cord	90,00	39	1	1 616 F63 009	Adjusting Plate	355,00
6	1	1 616 F63 009	Grommet	30,00	40	1	1 616 F63 011	Spring	30,00
7	1	1 616 F67 003	Clamping Piece	30,00	41	1	1 616 F63 010	Knife Guard	40,00
12	1	1 616 F67 005	Suppression Capacitor	20,00	42	1	1 616 F63 010	Base Plate	407,00
13	1	1 616 F67 004	groove ball bearing	20,00	43	1	2 600 000 001	groove ball bearing TK150K	100,00
14	1	1 616 F67 006	groove ball bearing	20,00	44	1	1 616 F63 013	Cutting Head	705,00
16	2	1 616 F67 000	Carbon Brush Holder	20,00	45	2	2 609 110 307	Planing knife	230,00
22	1	1 616 F67 008	Handle	194,00	46	2	2 602 218 001	Stop Holding Device	60,00
23	1	1 616 F67 007	Cover	187,00	47	4	2 603 433 001	Tox One-Head Screw	40,00
24	2	1 616 F67 000	Brush-Cover	20,00	48	2	2 609 110 094	Clamping jaw	100,00
25	1	1 616 F67 000	Air-Deflector Ring	70,00	49	8	2 600 110 034	Straining Screw	30,00
26	1	1 616 F67 007	Connecting Cable	44,00	50	1	1 616 F63 700	Socket	30,00
27	1	1 616 F67 000	groove ball bearing	117,00	50	2	2 603 300 004	Square Nut M6	60,00
28	1	1 616 F63 036	Bearing Flange	460,00	51	1	1 616 F63 700	Screw	30,00
29	1	1 616 F63 000	Pulley	100,00	55	4	2 610 009 000	Spring Washer	50,00
30	1	1 616 F63 001	Pulley	100,00	56	1	1 616 F63 000	Guide Bracket	450,00
31	1	1 616 F65 000	V-Belt	200,00	58	1	2 607 070 002	Feeler Gauge	140,00
32	1	1 616 F63 000	Gear Cover	100,00	60	2	2 607 000 000	Hexagon-Socket Key	70,00
33	1	1 616 F63 004	Cover	70,00	64	1	2 603 133 000	Blade Sharpening Device	200,00
34	1	1 616 F63 000	Cap Nut	70,00	610	1	2 609 100 300	Carbon Brush	200,00



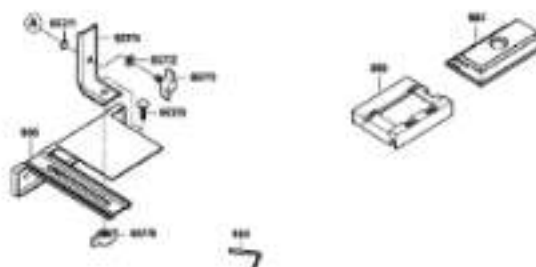
Model: 0 601 594 600 = 220

Item	Pc	Order no.	Description	LF in EUR	Item	Pc	Order no.	Description	LF in EUR
3	1	2 904 325 430	Field 230-240V	778,00	66	1	2 904 443 718	Connecting Cable L=213	40,00
4	1	1 907 300 197	Switch	284,00	71	2	2 909 110 554	Clemping jaws	160,00
5	1	1 904 400 334	Power supply cord EU	733,00	74	2	2 909 110 347	Planing knife	220,00
6	1	2 900 703 217	Grommet 26 A-B7 2X75	74,00	76	2	2 900 214 001	Stop Holding Device	91,00
7	1	2 901 038 001	Cable Clip	45,00	80	1	2 909 130 588	White Guard	143,00
8	1	2 900 130 736	Manufacturer's nameplate		81	1	2 909 110 103	Spring	60,00
11	2	2 910 811 030	Tapping Screws DIN	49,00	201	4	2 903 433 001	Torsx Over-Head Screws	43,00
16	2	2 904 449 035	Carbon Brush Holder	91,00	202	4	2 910 255 035	Spring Washer	50,00
17	2	2 900 100 007	Cover	31,00	203	8	2 909 110 504	Straining Screws	31,00
18	14	2 910 811 030	Tapping Screws DIN	49,00	254	1	2 907 260 028	Hexagon-Socket Key	73,00
20	1	2 908 110 105	Screw	31,00	265	1	2 909 008 015	Stop Bracket	349,00
23	1	2 900 110 283	Pulley	80,00	267	1	2 900 130 003	Blade Sharpening Device	220,00
24	1	2 908 110 297	Pulley	113,00	268	1	2 907 970 002	Feeler Gauge	148,00
21	1	2 908 100 410	V-Block	284,00	201	1	2 909 130 141	Motor Housing BLUE	1407,00
22	1	2 900 100 324	Gear Cover	30,00	203	1	2 909 100 280	Armature 230-240V	1321,00
33	1	2 908 110 077	Compression Spring	74,00	208	1	2 909 133 494	Nameplate	
35	1	2 900 100 130	Brush-Cover	140,00	210	1	2 900 100 328	Carbon Brush	280,00
38	1	2 900 130 208	Sticker	69,00	213	1	2 900 205 051	groove ball bearing 7X15X6	166,00
40	1	2 908 100 033	Air-Deflector Ring	72,00	214	1	2 900 205 052	groove ball bearing 8X22X7	231,00
41	1	2 901 323 053	Contact Strip	62,00	225	1	2 900 110 174	Sealing Flange	1197,00
44	2	2 903 320 004	Square Nut M6	52,00	227	1	2 900 205 051	groove ball bearing 7X15X6	166,00
46	1	2 900 110 032	Adjusting Piece	914,00	227	1	2 900 190 059	Adjusting Nut	39,00
42	1	2 900 100 002	Handle Cover BLUE	217,00	267	1	2 900 205 054	groove ball bearing	348,00
57	1	2 904 443 131	Connecting Cable L=225	91,00	270	1	2 909 110 100	Planer head	2734,00

Please observe: Repairing, modifying and testing of electric tools are to be performed professionally. The safety regulations according to IEC 611, VDE, AFNOR and other regulations of the individual countries are to be observed. Subject to change.

The price list supersedes all previous editions. Prices are subject to change without any prior notice.

430 023 000
2015 | Bosch | **© 2015**

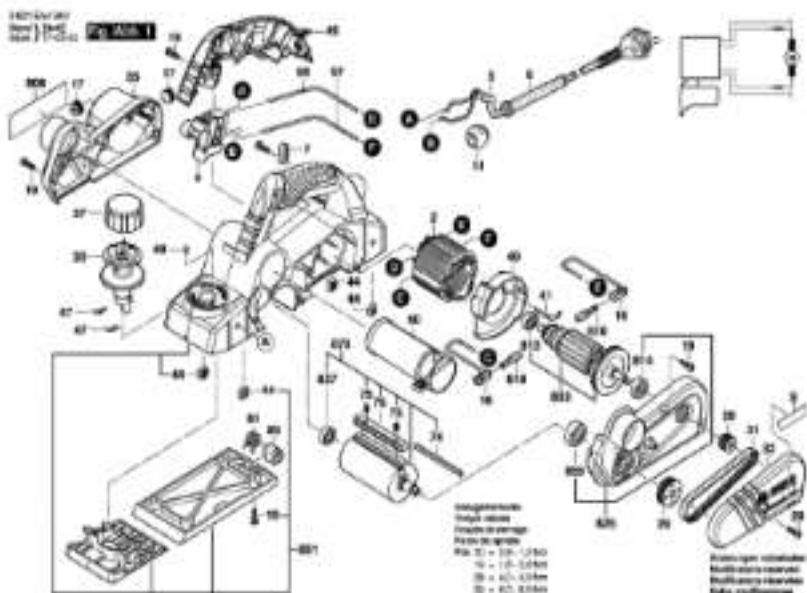


All rights reserved.
Nachdruck verboten.
Reproduction
is prohibited.

2 / 3

Model: 0 601 594 060 = 220

Item	Pc	Order no.	Description	LF in EUR	Item	Pc	Order no.	Description	LF in EUR



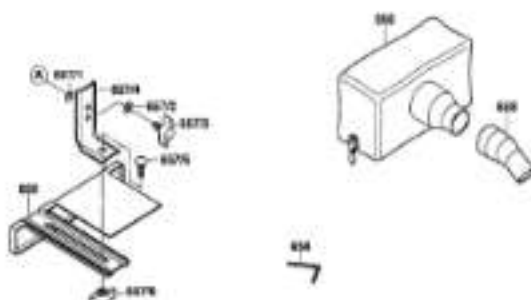
Model: 3 601 E44 370 = 230

Item	Pc	Order no.	Description	LF in EUR	Item	Pc	Order no.	Description	LF in EUR
1	1	1 610 950 302	Field		67	1	2 602 443 121	Connecting Cable L=233	87,00
2	1	2 604 220 430	Field 230-240V	776,00	68	1	2 604 448 118	Connecting Cable L=213	50,00
4	1	1 601 200 307	Switch	335,00	69	1	2 602 120 140	Deflector Pipe BLACK	444,00
5	1	1 604 480 126	Power supply cord GB		76	1	2 602 526 341	Planing knife	612,00
6	1	2 602 703 312	Blommet Ø6 5-86 3x55	22,00	75	2	2 602 430 010	Set screw	49,00
7	1	2 601 038 001	Cable Clip	45,00	76	1	2 602 111 001	Gripping Wedge	628,00
11	1	2 602 100 023	Ball Joint	55,00	80	1	2 602 100 028	Knife Guard	143,00
16	2	2 604 449 025	Carbon Brush Holder	87,00	81	1	2 602 110 109	Spring	50,00
17	2	2 602 100 027	Cover	31,00	89	1	1 607 900 003	Offset Screwdriver DIN 911	31,00
18	10	2 602 420 022	Screw 4X16	30,00	89	1	2 602 170 013	Dust Bag	1 480,00
20	1	2 602 112 128	Screw	30,00	89	1	2 602 028 010	Stop Bracket	349,00
23	1	2 602 110 285	Pulley	80,00	8971	1	1 610 210 042	O-Ring 4,00x1,5 MM	45,00
24	1	2 602 110 297	Pulley	118,00	8972	1	2 610 011 014	Plan Washer DIN 125-A	54,00
30	1	2 602 101 878	Roller Knob	212,00	8973	1	2 602 480 003	Wing Screw M 6X16 MM	89,00
31	1	2 602 100 410	V-Belt	284,00	8974	1	1 601 232 018	Stop Bracket	100,00
32	1	2 602 101 439	Ball Cover	152,00	8976	1	2 610 281 201	Round-head Bolt DIN	30,00
35	1	2 602 101 403	Brush-Cover	300,00	8978	1	2 602 160 008	Wing Nut	167,00
37	1	2 602 101 440	Car-Handle	94,00	899	1	2 602 131 408	Adapter module	58,00
40	1	2 602 100 022	Air-Deflector Ring	72,00	901	1	2 602 126 878	Motor Housing	1 410,00
41	1	2 601 329 023	Contact Strip	62,00	903	1	2 602 120 045	Armature set 230-240V	1 216,00
44	2	2 602 320 024	Square Nut M6	62,00	908	1	1 600 400 126	Nameplate	
47	2	2 601 284 000	Ratchet Spring	87,00	910	1	2 602 120 037	Carbon Brush Set	121,00
48	1	2 602 620 028	Ratchet Cap	62,00	913	1	2 602 220 121	groove ball bearing 7X19X6	120,00
49	1	2 602 101 517	Handle Cover	173,00	914	1	2 602 220 122	groove ball bearing 8X22X7	221,00

Please observe: Repairing, modifying and testing of electro-tools are to be performed professionally. The safety regulations according to IEC 61110, AFNOR and other regulations of the individual countries are to be observed. Subject to change.

The price list supersedes all previous editions. Prices are subject to change without any prior notice.

REPAIR KIT
FOR GHO 26-82 D
3 601 EA4 370 | BO

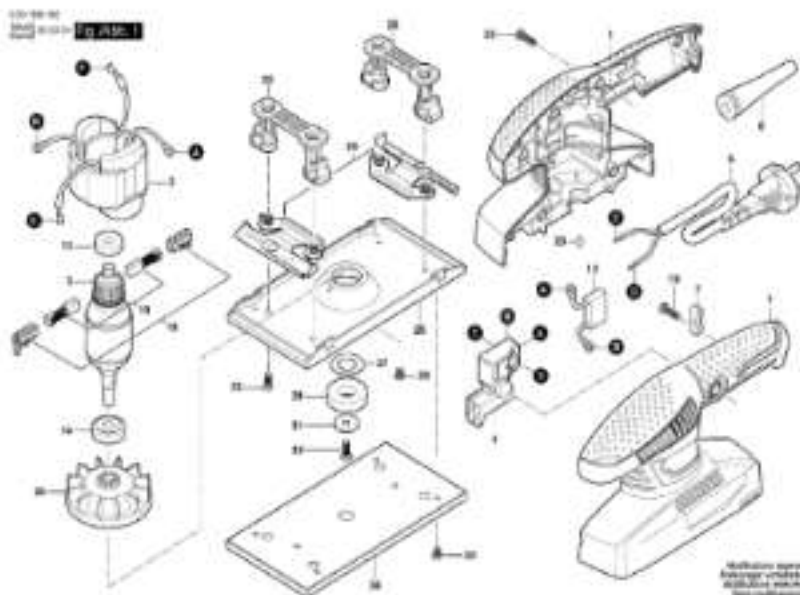


Alle Angaben vorbehaltlich
Modifikationen
Modifikationen vorbehalten
Alle Rechte vorbehalten

2 / 2

Model: 3 601 EA4 370 - 230									
Item	Pc	Order no.	Description	LF in EUR	Item	Pc	Order no.	Description	LF in EUR
626	1	2 601 100 040	Gearing Flange	770,00					
627	1	2 601 928 051	groove ball bearing TR18X5	190,00					
628	1	2 601 928 094	groove ball bearing	340,00					
370	1	2 601 110 100	Planer Head	2 280,00					

Please observe: Repairing, modifying and testing of electric tools are to be performed professionally. The safety regulations according to IEC, EN, VDE, AFNOR and other regulations of the individual countries are to be observed. Subject to change.
The price list supersedes all previous editions. Prices are subjected to change without any prior notice.



1 / 1

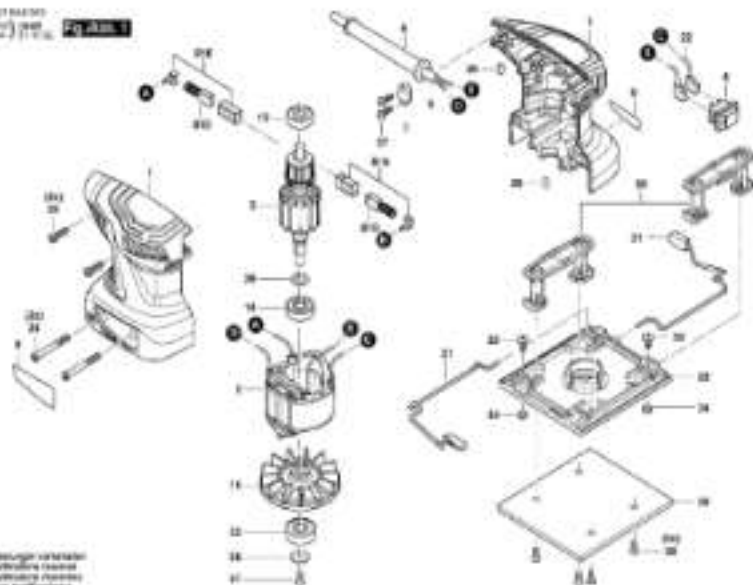
Model: 3 601 B58 0K0 = 230

Item	Pc	Order no.	Description	LF in EUR	Item	Pc	Order no.	Description	LF in EUR
1	1	1 619 F47 558	Housing Set	610,00	33	4	1 619 F47 551	Screw	47,00
2	1	1 619 F47 527	Field assembly 220-240V	643,00	34	1	1 619 F47 552	Foam Panel	200,00
3	1	1 619 F47 524	Armature 220-240V	781,00	35	4	1 619 F47 553	Screw	32,00
4	1	1 619 F47 531	Switch	542,00					
5	1	1 619 F47 521	Power supply cord	302,00					
6	1	1 619 F47 533	Grommet	30,00					
7	1	1 619 F47 534	Clip	30,00					
10	1	1 619 F47 535	Carbon-Brush Set	220,00					
12	1	1 619 F47 536	Suppression Capacitor	30,00					
13	1	1 619 F47 537	Bearing	111,00					
14	1	1 619 F47 538	Bearing	71,00					
16	1	1 619 F47 539	Carbon Brush Holder	110,00					
18	2	1 619 F47 540	Screw	30,00					
22	3	1 619 F47 541	Screw	30,00					
23	4	1 619 F47 542	Rubber Pad	30,00					
24	1	1 619 F47 543	Felt	181,00					
25	2	1 619 F48 314	Support	122,00					
26	1	1 619 F47 544	Baseplate	369,00					
27	1	1 619 F47 545	Plain Washer	30,00					
28	1	1 619 F47 546	Bearing	120,00					
29	2	1 619 F47 547	Screw	30,00					
30	1	1 619 F47 548	Clamp	162,00					
31	1	1 619 F47 549	Plain Washer	30,00					
32	1	1 619 F47 550	Screw	30,00					

Please observe: Repairing, modifying and testing of electric tools are to be performed professionally. The safety regulations according to IEC, EN, VDE, AFNOR and other regulations of the individual countries are to be observed. Subject to change.

The price list supersedes all previous editions. Prices are subjected to change without any prior notice.

000 940 000
 000 940 000

Fig. 1

 Abzweigvorrichtung
 Motorleitung (optional)
 Motorleitung (optional)
 Netz-Abzweigschalter

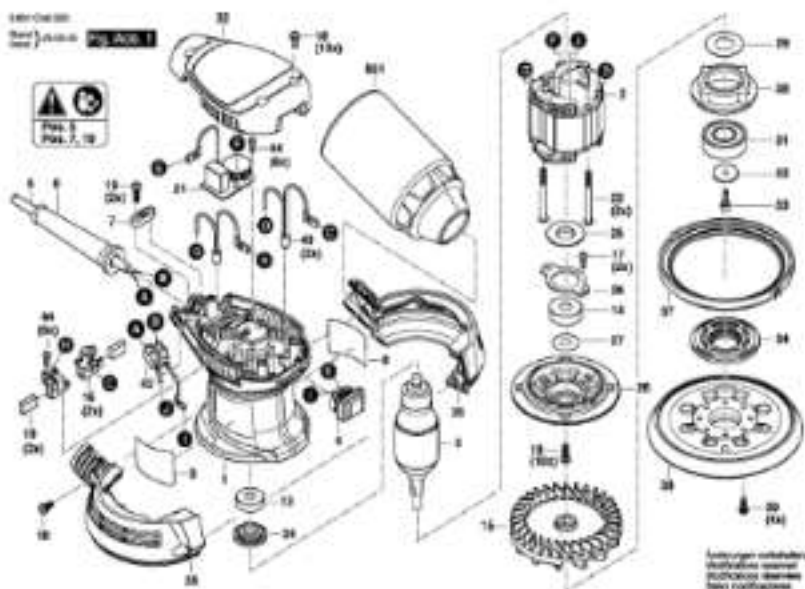
1 / 1

Model: 3 601 B4S 0F0 - 220

Item	Pc	Order no.	Description	LF in EUR	Item	Pc	Order no.	Description	LF in EUR
1	1	1 600 103 240	Motor Housing	420,00	33	1	1 600 301 413	base plate	100,00
2	1	1 604 220 517	Field	391,00	34	2	1 600 401 40K	Nut	39,00
3	1	1 604 210 629	Armature	527,00	35	1	1 600 401 40A	Pad	100,00
4	1	1 607 200 36F	Switch	211,00	36	4	1 603 430 05V	Screw	30,00
5	1	1 616 P63 080	Power supply cord		37	1	1 603 430 05B	Screw	39,00
6	1	1 616 P63 080	Power supply cord	400,00	38	1	1 600 301 41D	Washer	39,00
7	1	1 600 703 041	Commuter	51,00	310	1	1 616 P63 111	Carbon-Brush Set	151,00
8	1	1 600 401 41U	Fastening Clasp	39,00	310	1	1 607 201 080	Brush Holder	110,00
9	1	1 616 P63 081	Nameplate						
10	1	1 616 P63 080	Nameplate						
11	1	1 601 110 24E	Nameplate						
12	1	1 600 900 076	Ball Bearing	54,00					
14	1	1 600 900 071	Ball Bearing	54,00					
16	1	1 607 200 010	Fan	205,00					
20	2	1 604 477 020	Blade terminal	101,00					
22	1	1 600 900 071A	Ball Bearing	200,00					
24	2	1 603 430 06D	Screw	30,00					
26	2	1 603 430 05B	Screw	39,00					
28	2	1 600 401 41H	Pin	39,00					
27	2	1 603 430 06T	Screw	30,00					
29	1	1 600 401 41K	Washer	39,00					
30	1	1 600 401 41I	Bracket	107,00					
31	2	1 600 301 41C	Clamp	101,00					
32	2	1 603 430 05U	Screw	39,00					

Please observe: Repairing, modifying and testing of electric tools are to be performed professionally. The safety regulations according to IEC, EN, VDE, AFNOR and other regulations of the individual countries are to be observed. Subject to change.

The price list supersedes all previous editions. Prices are subject to change without any prior notice.



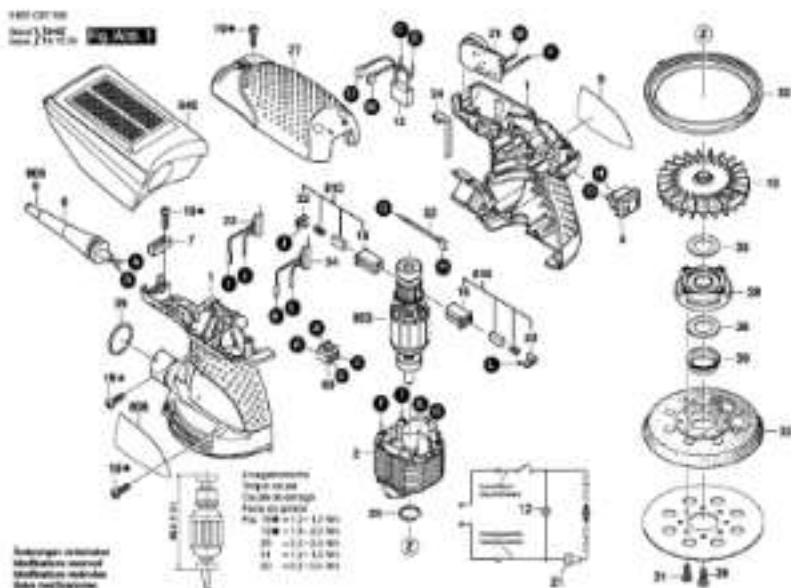
1 / 1

Model: 3 601 CAS 0F0 = 230

Item	Pc	Order no.	Description	LP in EUR	Item	Pc	Order no.	Description	LP in EUR
1	1	1 619 PCC 206	Housing	203,00	26	1	1 619 PCC 230	Housing Cover	37,00
2	1	1 619 PCC 207	Stator	574,00	29	1	1 619 PCC 231	Washer	26,00
3	1	1 619 PCC 208	Armature	1.079,00	30	1	1 619 PCC 232	Bearing Flange	139,00
4	1	1 619 PCC 209	Switch	26,00	31	1	1 619 PCC 233	groove ball bearing	174,00
5	1	1 619 PC1 109	Power supply cord		32	1	1 619 PCC 234	Washer	27,00
6	1	1 619 PCC 211	Grommet	21,00	33	1	1 619 PCC 235	Torx Oval-Head Screw	27,00
7	1	1 619 PCC 212	Cable Clip	27,00	34	1	1 619 PCC 236	Cover	35,00
8	1	1 619 PC1 137	Nameplate		35	1	1 619 PCC 237	Housing	199,00
9	1	1 619 PCC 219	Manufacturer's nameplate		37	1	1 619 PCC 238	Friction Ring	63,00
10	2	1 619 PCC 216	Carbon Brush	90,00	38	1	1 619 PCC 240	Backing Pad	497,00
12	1	1 619 PCC 218	groove ball bearing	83,00	39	4	1 619 PCC 241	Torx Oval-Head Screw	27,00
14	1	1 619 PCC 217	groove ball bearing	83,00	40	2	1 619 PC1 136	Red choke	27,00
15	1	1 619 PCC 215	Fan	440,00	42	1	1 619 PCC 242	Connecting Cable	27,00
16	2	1 619 PCC 219	Brush Holder	49,00	44	1	1 619 PC1 002	Torx Oval-Head Screw	26,00
17	6	1 619 PCC 220	Torx Oval-Head Screw	27,00	55	1	1 619 PCC 243	Dust container	188,00
18	10	1 619 PCC 221	Torx Oval-Head Screw	27,00					
19	2	1 619 PCC 222	Torx Oval-Head Screw	27,00					
21	1	1 619 PCC 223	Electronics Module	297,00					
22	1	1 619 PCC 224	Housing Cover	170,00					
23	2	1 619 PCC 225	Torx Oval-Head Screw	27,00					
24	1	1 619 PCC 226	Bearing cover	27,00					
25	1	1 619 PCC 227	Washer	27,00					
26	1	1 619 PCC 228	Bearing cover	38,00					
27	1	1 619 PCC 229	Washer	27,00					

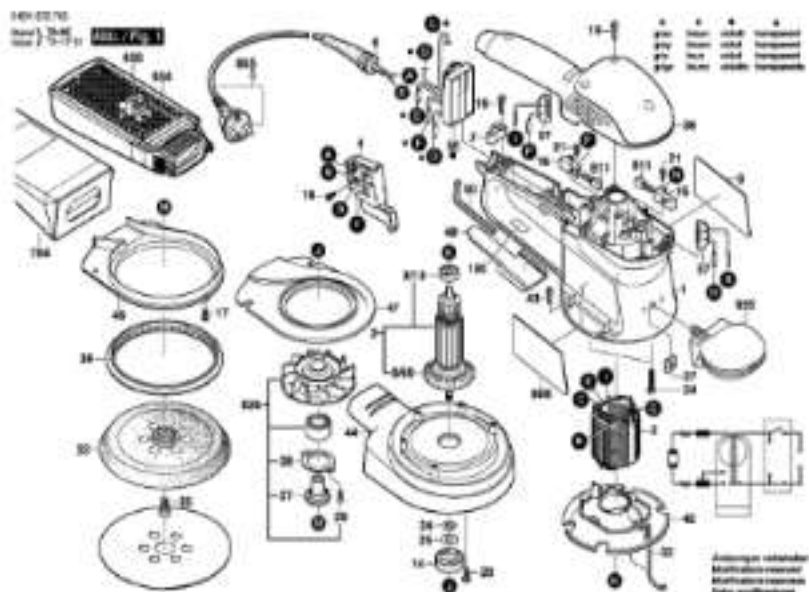
Please observe: Repairing, modifying and testing of electric tools are to be performed professionally. The safety regulations according to IEC, EN, VDE, AFNOR and other regulations of the individual countries are to be observed. Subject to change.

The price list supersedes all previous editions. Prices are subject to change without any prior notice.



Model: 3 601 C87 5K3 = 230

Item	Pc	Order no.	Description	LF n EUR	Item	Pc	Order no.	Description	LF n EUR
1	1	2 600 100 016	Housing	676,00	28	1	2 600 170 004	Felt	47,00
2	1	2 600 120 206	Stator 230V	741,00	29	1	1 610 210 048	O-Ring 23,0x3,0 MM	44,00
3	1	1 607 200 190	Switch	387,00	30	1	2 610 210 009	Connection Block	35,00
4	1	2 600 700 017	Grommet 26 A-Ø7 2x75	74,00	31	1	2 600 120 234	Connecting Cable	35,00
5	1	1 611 026 025	Cable Clip	45,00	32	1	2 600 190 175	Dust container	710,00
6	1	2 600 120 600	Manufacturer's nameplate		33	1	2 600 100 164	Armature 230V	2 201,00
12	1	2 600 120 262	Suppression Filter	163,00	34	1	1 607 000 337	Power supply cord CN	280,00
13	1	2 600 110 037	Felt	1 194,00	35	1	2 600 131 020	Nameplate	
14	2	2 610 320 048	Brush Holder	70,00	310	1	2 600 120 192	Carbon-Brush Set	230,00
15	3	2 600 400 003	Screw 4X16	30,00					
21	1	2 600 120 208	Speed governor	1 110,00					
22	2	2 610 320 038	connecting terminal	43,00					
23	1	2 600 120 260	Suppression Filter	163,00					
24	1	2 601 220 040	Contact Strip	47,00					
25	1	2 610 640 006	Retaining ring DIN 7993-A8	31,00					
26	1	2 610 210 118	Tool Ovd-Head Screw	163,00					
27	1	2 600 100 018	Housing Cover	301,00					
28	1	2 600 100 080	Beering Flange	331,00					
30	1	2 600 100 013	Cover	80,00					
31	4	2 610 210 181	Screw	31,00					
32	1	2 600 170 017	Friction Ring	70,00					
33	1	1 600 401 011	Rubber Sealing Pad	630,00					
34	1	2 600 120 261	Suppression Filter	163,00					
35	1	2 600 110 724	Washer	49,00					

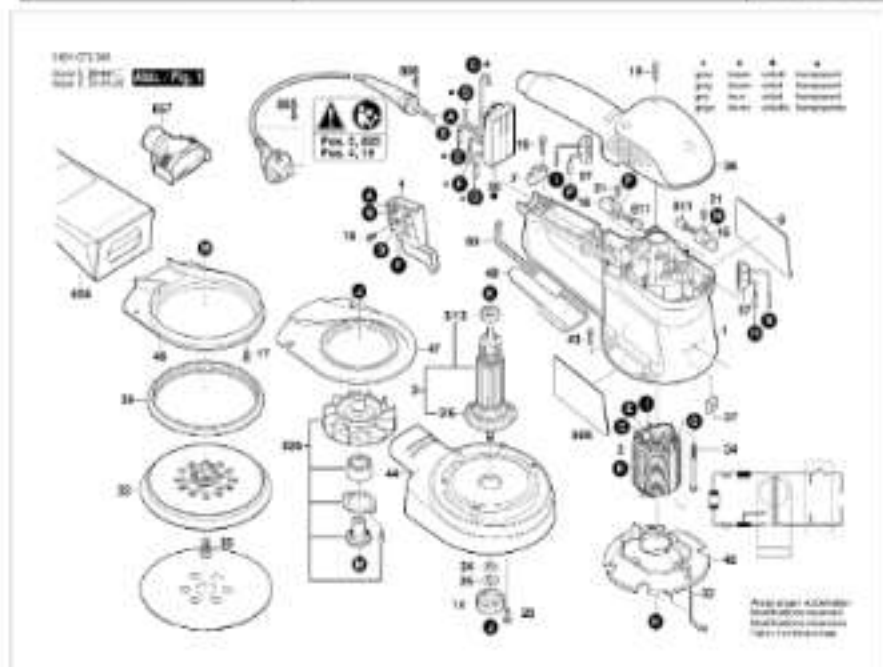


Model: 0 601 372 750 = 250

Item	Pc	Order no.	Description	LF in EUR	Item	Pc	Order no.	Description	LF in EUR
1	1	2 604 103 410	Housing Section BLUE	749,00	35	1	1 600 301 507	Hex Socket Head Cap	40,00
2	1	2 604 220 529	Flea 230-240V	990,00	36	1	2 605 500 124	Housing Cover BLUE	420,00
3	1	2 604 011 028	Armature 230-240V	2 026,00	37	1	2 615 121 008	Square Nut DIN 913-M8-04	70,00
3/12	1	2 600 205 061	groove ball bearing TR15K6	120,00	38	1	1 600 400 067	Friction Ring	130,00
3/60	1	2 606 010 076	Fan	120,00	43	4	2 603 426 042	Thread-forming tap. Screw	50,00
4	1	2 607 300 080	Switch	247,00	44	1	2 600 202 018	Buckton Hood	244,00
5	1	2 604 400 234	Power supply cord 1 BR		46	1	2 601 328 047	Air-Deflector Ring	163,00
6	1	2 600 703 017	Grinding Ø6 A-Ø1 2076	74,00	48	1	2 601 328 043	Buckton Piece	224,00
7	1	2 601 038 001	Cable Clip	40,00	47	1	2 601 328 040	Buckton Piece	224,00
8	1	2 601 118 408	Manufacturer's nameplate		48	1	2 601 036 003	Pusher	161,00
14	1	2 600 808 034	groove ball bearing	210,00	50	1	2 610 254 016	Hexagon Socket Screw	60,00
16	2	2 604 327 016	Brush Holder	67,00	58	1	2 607 230 119	Speed governor 230-240V	1 240,00
17	-3	2 603 426 026	Torx Oval-Head Screw	57,00	57	2	2 604 400 090	Suppression Filter	210,00
18	2	2 603 410 001	Socket head cap screw	30,00	69A	1	2 605 411 103	Dust Chamber	1 490,00
19	6	2 603 400 002	Screw 4X16	30,00	69B	1	2 603 008 060	Auxiliary Handle BLACK	460,00
20	2	1 600 400 008	Socket Screw	70,00	69C	1	2 605 710 039	Adapter	338,00
21	4	2 603 400 017	Torx Oval-Head Screw	74,00	76A	1	2 605 411 000	Dust Bag + PIECE	67,00
24	1	2 600 101 047	Brim 0.3 MM	60,00	80B	1	2 601 116 212	Marking Plate	
25	1	2 600 100 041	Plain Washer DIN	31,00	81A	1	2 607 014 117	Carbon Brush	300,00
27	1	2 600 328 028	Carrier	261,00	82B	1	2 600 610 003	Fan	1 380,00
28	1	2 600 160 080	Tap Washer	40,00					
29	2	2 603 361 003	Thread-forming tap. Screw	61,00					
30	1	2 601 328 063	Contact Ring	62,00					
31	1	2 600 601 100	Becking Pad Ø150	260,00					

Please observe: Repairing, modifying and testing of electric tools are to be performed professionally. The safety regulations according to IEC 611, VDE, AFNOR and other regulations of the individual countries are to be observed. Subject to change.

The price list supersedes all previous editions. Prices are subject to change without any prior notice.



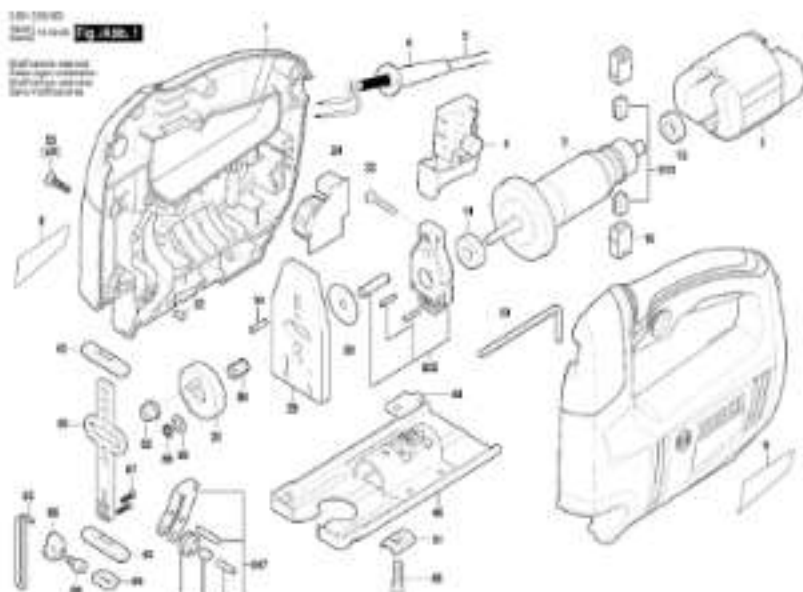
1 / 1

Model: 3 601 C72 8F0 = 230

Item	Pc	Order no.	Description	LF in EUR	Item	Pc	Order no.	Description	LF in EUR
1	1	2 601 103 410	Housing Section BLUE	749,00	43	4	2 601 426 042	Thread-forming tap Screws	30,00
2	1	2 604 220 529	Flea 230-240V	999,00	44	1	2 600 280 016	Suction Hood	944,00
3	1	2 604 011 028	Armature 220-240V	2 026,00	45	1	2 601 328 047	Air-Deflector Ring	152,00
3/12	1	2 600 205 026	groove ball bearing TR15K6	101,00	46	1	2 601 328 048	Suction Piece	224,00
3/60	1	2 606 010 078	Fan	120,00	47	1	2 601 328 049	Suction Piece	224,00
4	1	2 607 300 080	Switch	247,00	48	1	2 601 028 002	Pusher	101,00
7	1	2 601 028 001	Cable Clip	48,00	50	1	2 610 364 016	Hexagon Socket Screws	30,00
9	1	1 601 110 314	Manufacturers nameplate		50	1	2 607 220 119	Speed governor 230-240V	1 249,00
14	1	2 600 208 024	groove ball bearing	212,00	57	2	2 604 485 030	Suppression Filter	210,00
16	2	2 604 337 016	Brush Holder	97,00	58	1	2 605 411 050	Dust Bag 1 PIECE	97,00
17	3	2 603 426 026	Tors Over-Head Screw	97,00	60	1	2 600 320 012	Adapter	391,00
18	2	2 603 410 001	Socket head cap screw	92,00	60	1	1 607 000 328	Power supply cord EU	1 327,00
19	5	2 603 420 022	Screws 4X16	35,00	60	1	2 600 703 017	Grommet Ø6,4-Ø7,2X76	74,00
20	2	1 600 400 026	Special Screw	79,00	60	1	1 601 114 240	Nameplate	
21	4	2 603 420 017	Tors Over-Head Screw	74,00	81	1	1 607 014 117	Carbon Brush	300,00
24	1	2 606 101 047	Stem 2.3MM	62,00	82	1	2 600 400 507	Fan	1 039,00
25	1	2 600 100 041	Paint Washer DN	91,00					
32	1	2 601 329 080	Contact Strip	92,00					
33	1	2 603 014 078	Becking Pad Ø130						
34	2	2 603 426 028	Tapping Screws	33,00					
36	1	1 600 401 597	Hex Socket Head Cap	49,00					
38	1	2 603 800 124	Housing Cover BLUE	403,00					
37	1	2 315 121 008	Square Nut DIN 952-M6-04	75,00					
38	1	2 600 205 026	Friction Ring	291,00					

Please observe: Repairing, modifying and testing of electric tools are to be performed professionally. The safety regulations according to IEC 61156, AF104 and other regulations of the individual countries are to be observed. Subject to change.

The price list supersedes all previous editions. Prices are subject to change without any prior notice.



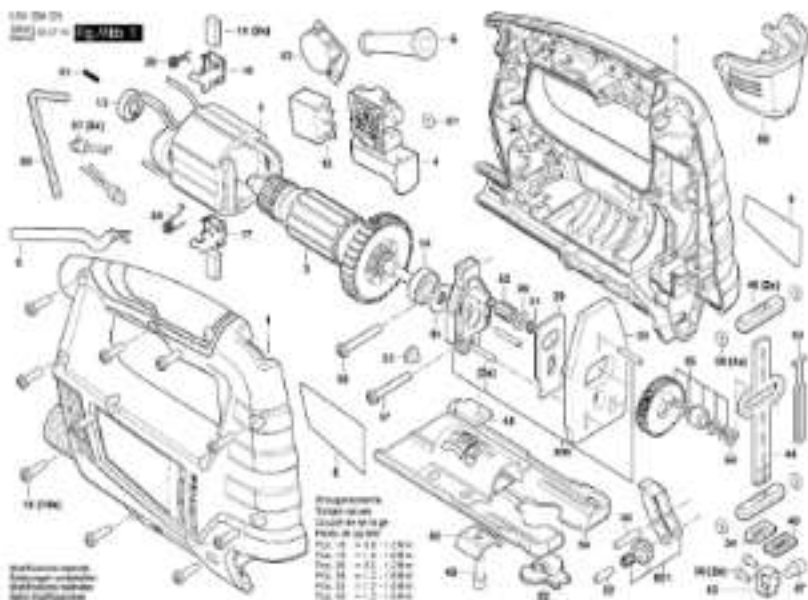
1 / 1

Model: 3 601 EAS 0F0 = 220

Item	Pc	Order no.	Description	LF in EUR	Item	Pc	Order no.	Description	LF in EUR
1	1	1 603 103 240	Motor Housing	608,00	46	1	1 603 430 026	Screw	38,00
2	1	1 604 220 575	Field	600,00	48	1	1 600 401 407	Base Plate	238,00
3	1	1 604 210 02L	Armature	731,00	51	1	1 600 401 400	Bracket	38,00
4	1	1 607 200 35M	Switch	214,00	55	2	1 603 430 02F	Screw	38,00
5	1	019 P65 023	Power supply cord		53	1	1 600 401 40R	Clip	38,00
6	1	1 600 703 043	Grommet	77,00	54	1	1 600 401 40R	Needle bearing	38,00
7	1	019 P63 024	Nameplate		56	1	1 600 160 028	Spring Lock Washer	38,00
8	1	1 601 110 240	Bracket		60	1	1 600 401 40C	Blade Holder	140,00
12	1	1 600 800 07U	Ball Bearing	73,00	57	2	1 603 430 02C	Screw	38,00
13	1	1 600 800 07V	Ball Bearing	71,00	58	1	1 603 430 02D	Screw	38,00
16	2	1 600 401 40U	Brush Holder	72,00	59	1	1 600 401 40S	Base	38,00
22	1	1 600 401 40L	Rubber	32,00	210	1	019 P63 118	Carbon-Brush Set	60,00
23	1	1 600 401 40P	Offset Screwdriver	32,00	225	1	019 P63 102	Intermediate Bearing	127,00
24	1	1 607 220 336	Speed governor	388,00	247	1	019 P63 106	Bracket	90,00
28	1	1 600 401 40J	Washer	32,00					
29	1	1 600 401 40K	Counter Weight	194,00					
30	1	1 600 160 028	Spring Lock Washer	32,00					
31	1	1 600 401 40V	Gear	219,00					
32	1	1 600 300 111	Bushing	81,00					
33	2	1 603 430 02B	Screw	38,00					
34	1	1 603 123 02F	Detent Pin	38,00					
40	1	1 600 401 40M	Bracket	101,00					
42	2	1 600 300 113	Bushing	70,00					
44	1	1 600 401 40B	Nut	38,00					

Please observe: Repairing, modifying and testing of electric tools are to be performed professionally. The safety regulations according to IEC, EN, VDE, AFNOR and other regulations of the individual countries are to be observed. Subject to change.

The price list supersedes all previous editions. Prices are subject to change without any prior notice.

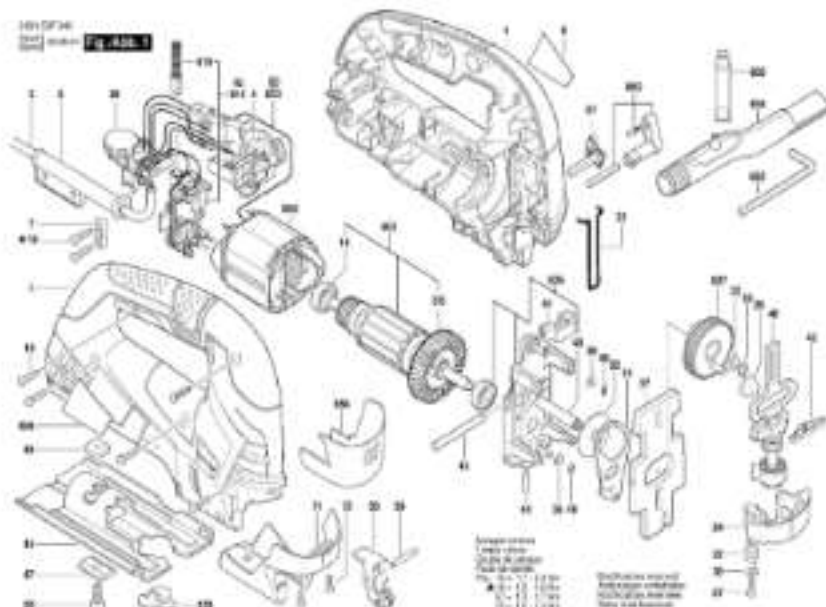


Model: 3 601 E84 0F0 = 220

Item	Pc	Order no.	Description	LF in EUR	Item	Pc	Order no.	Description	LF in EUR
1	1	1 610 P60 074	Motor Housing	689,00	33	1	1 610 P60 616	Counter Weight	264,00
2	1	1 610 P60 009	Field 220-240V	574,00	34	1	1 610 P60 677	Sealing washer F3.5x12	37,00
3	1	1 610 P60 010	Armature 220-240V	673,00	35	1	1 610 P60 083	Cear	287,00
4	1	1 610 P60 218	Switch	180,00	37	1	1 610 P60 336	Testing Screw	37,00
5	1	1 610 P60 080	Power supply cord	-	39	1	1 610 P60 026	Plate T=2.5MM	36,00
6	1	1 610 P60 017	Grommet	33,00	40	1	1 610 P60 070	Pin F3.5x12	27,00
8	1	1 610 P60 007	Nameplate	-	41	1	1 610 P60 050	Sealing Ring 8.5x15x1.5	37,00
9	1	1 610 P60 072	Bracket	-	42	1	1 610 P60 076	Blade Holder	144,00
10	1	1 610 P60 079	Carbon Brush 220-240V	173,00	43	1	1 610 P60 075	Speed governor 220-230V	259,00
11	1	1 610 P60 001	Capacitor 0.33uF	62,00	44	1	1 610 P60 002	Bracket	37,00
12	1	1 610 P60 202	Ball Bearing 608-2RS	65,00	45	1	1 610 P60 340	Bracket T=2.5MM	27,00
14	1	1 610 P60 220	Ball Bearing 618x17	62,00	46	2	1 610 P60 346	Slushing	38,00
16	1	1 610 P60 034	Brush Holder 618x17	35,00	47	1	1 610 P60 360	Socket head cap screw	27,00
17	1	1 610 P60 028	Brush Holder 674.2x10	35,00	48	1	1 610 P60 361	Bracket T=2.5MM	36,00
18	10	1 610 P60 027	Pin head screw 674.2x16	27,00	49	1	1 610 P60 362	Socket head cap screw	27,00
21	1	1 610 P60 321	Spring F4.0.	27,00	50	4	1 610 P60 394	O-Ring	38,00
22	1	1 610 P60 330	Pin	27,00	62	1	1 610 P60 330	Needle bearing HK600912	38,00
23	1	1 610 P60 305	Pin head screw	27,00	63	1	1 610 P60 396	Cap	38,00
24	1	1 610 P60 323	Torsion Spring	27,00	54	1	1 610 P60 337	Base Plate T=2.5MM	162,00
25	1	1 610 P60 618	Torsion Spring	27,00	68	1	1 610 P60 335	Straight Pin F4x20	27,00
26	1	1 610 P60 309	Washer F6.2xF12x1	27,00	57	2	1 610 P60 395	Inductor 0.01-0.015MM	38,00
28	2	1 610 P60 034	Socket head cap screw	27,00	58	1	1 610 P60 301	Offset Screwdriver T6x40	38,00
31	1	1 610 P60 334	Becklin ring	28,00	60	1	1 610 P60 385	Covering hood PC	42,00
32	1	1 610 P60 014	Testing Screw	27,00	61	1	1 610 P60 594	Roller	27,00

Please observe: Repairing, modifying and testing of electric tools are to be performed by professional. The safety regulations according to IEC 611, VDE, AFNOR and other regulations of the individual countries are to be observed. Subject to change.

The price list supersedes all previous editions. Prices are subject to change without any prior notice.

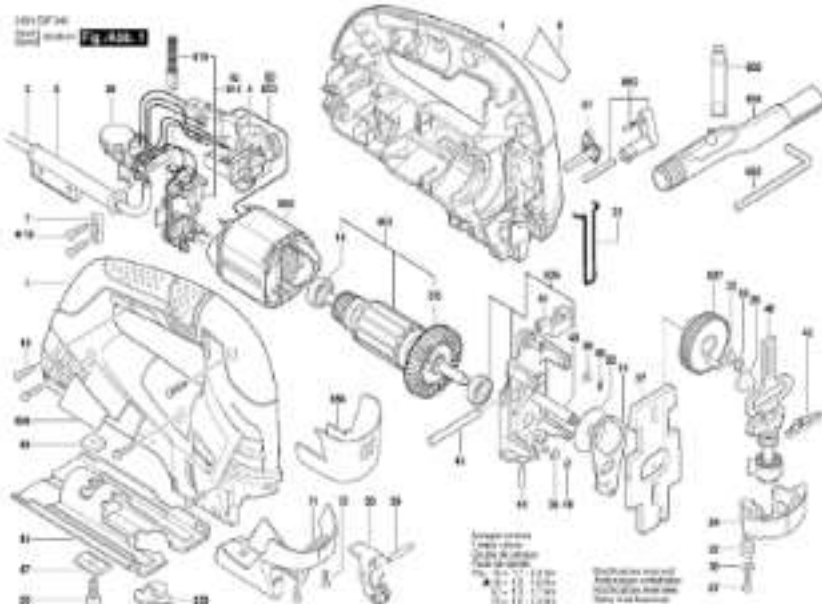


Model: 3 601 E8F 0F0 = 230

Item	Pc	Order no.	Description	LF in EUR	Item	Pc	Order no.	Description	LF in EUR
1	1	1 610 P07 124	Housing Section CARK	1,807,00	46	1	1 610 P07 182	Base Plate	760,00
3/8	1	2 600 610 123	Fan	42,00	48	1	1 610 P07 138	Bearing bolt	137,00
4	1	2 601 200 994	Switch	873,00	47	1	2 601 030 019	Profile Beading	71,00
5	1	1 610 P10 363	Power supply cord		48	1	1 610 P07 183	Fixing plate	76,00
6	1	2 600 703 028	Blommet Ø6,2-Ø5,4x55	54,00	49	2	2 610 040 001	Spring retaining ring DIN	30,00
7	1	2 601 038 001	Cable Clip	48,00	67	1	1 610 P08 048	Tox Oval-Head Screw	30,00
8	1	1 610 P10 142	Manufacturer's nameplate groove oil bearing 6X22X7	194,00	68	1	1 610 P13 408	Roller Lever	870,00
14	1	2 600 803 110	Screw 4X16	30,00	69	1	1 610 P07 159	Bearing bolt	30,00
16	15	2 603 480 002	Torsion Spring	101,00	66	1	2 610 141 107	Hex Socket Head Cap	20,00
22	1	1 610 P07 151	Protecting Cover	170,00	67	1	1 610 P07 166	Switch Slide	73,00
24	1	1 610 P07 151	Lever Switch	170,00	71	1	1 610 P10 169	Cover	760,00
26	1	2 600 014 222	Needle bearing	175,00	72	2	2 603 420 016	Cross Recessed-Head	48,00
30	1	1 610 P07 878	Skim	144,00	80	1	1 610 P10 230	Speed governor	1,741,00
32	1	2 600 120 077	Skim 0,3 MM	44,00	882	1	2 610 304 016	Hexagon Socket Screw	30,00
33	1	1 610 P07 137	Roll Label	219,00	853	1	2 601 016 006	Splicing Protector	111,00
36	3	2 600 100 028	Skim 0,3 MM	60,00	854	1	1 610 P07 187	Switch Nozzle	390,00
37	1	1 610 P07 133	Counterweight	404,00	883	1	1 610 P07 188	Covering hood	260,00
38	1	2 610 040 208	Spring retaining ring SKO.8	49,00	802	1	1 610 P08 195	Field 220V	758,00
40	1	1 610 P07 147	Lifting Rod	2,278,00	803	1	1 610 P08 197	Arresture 220V	1,823,00
41	1	1 610 P08 203	Ball bearing	232,00	804	1	2 604 321 028	Carbon-Brush Set	244,00
42	1	1 610 P11 327	Coiled Spring	137,00	818	1	2 600 001 021	Brush Plate	434,00
43	1	1 610 P07 136	Needle Roller	111,00	828	1	1 610 P08 238	Bearing Bracket	1,641,00
44	1	1 610 P07 143	Bearing ball	38,00	827	1	1 610 P08 069	Eccentric Cog Wheel	945,00

Please observe: Repairing, modifying and testing of electric tools are to be performed professionally. The safety regulations according to IEC 61110, AFNOR and other regulations of the individual countries are to be observed. Subject to change.

The price list supersedes all previous editions. Prices are subject to change without any prior notice.

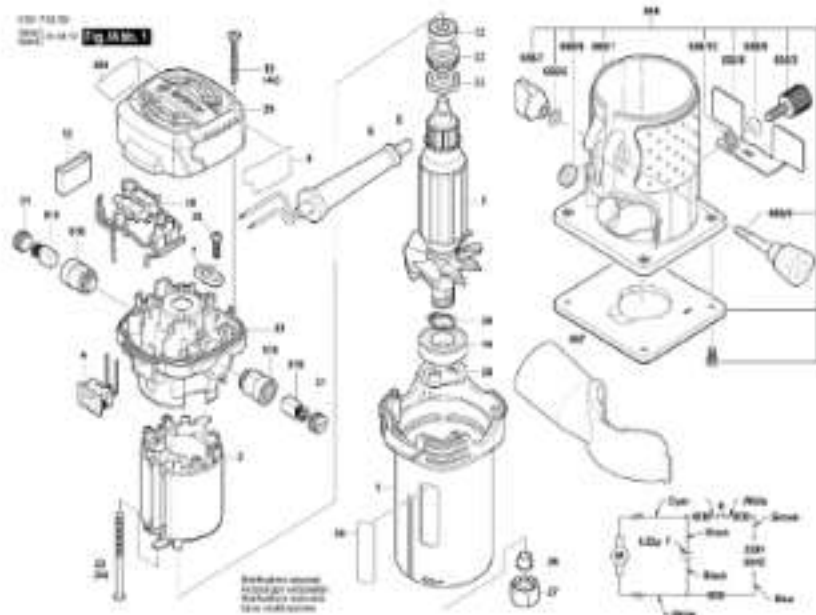


2 / 3

Model: 3 601 E8F 0F0 = 230

Item	Pc	Order no.	Description	LF in EUR
357	1	1 619 700 001	Earth Conductor	210,00
352	1	1 619 705 000	Change-Over Switch	294,00
335	1	3 500 430 000	Grease Tube ALBIDA	1,510,00

Item	Pc	Order no.	Description	LF in EUR
------	----	-----------	-------------	-----------



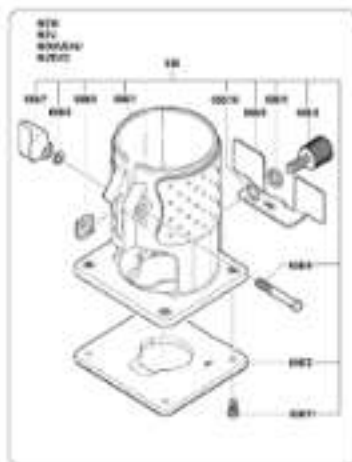
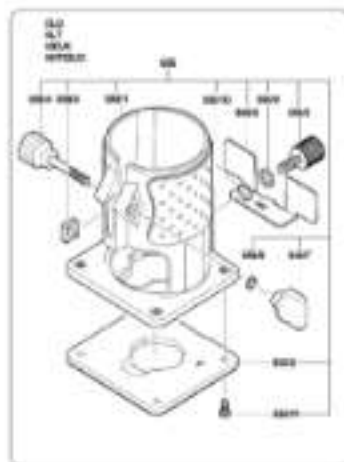
Model: 3 601 FA0 0F1 - 230

Item	Pc	Order no.	Description	LF in EUR	Item	Pc	Order no.	Description	LF in EUR
1	1	1 610 P62 261	Motor Housing	261,00	36	1	1 610 P62 054	Scale	30,00
2	1	1 610 P63 026	Field assembly 220-240V	137,00	651	1	1 610 P62 378	Guide Piece	68,00
3	1	1 610 P63 031	Armature 220-240V	1.035,00	654	1	1 610 P63 032	End stop	254,00
4	1	1 610 P63 034	Switch	120,00	654-1	1	1 610 P63 034	Guide Plate	140,00
5	1	1 610 P63 037	Power supply cord EU	227,00	654-2	1	1 610 P63 035	Guide	140,00
6	1	1 610 P63 040	Collet nut	32,00	654-3	1	1 610 P63 035	Screw	30,00
7	1	1 610 P63 041	Oil	30,00	654-4	1	1 610 P63 047	Toothed lock washer	30,00
8	1	1 610 P63 002	Manufacturer's nameplate		654-5	1	1 610 P63 050	Plate	30,00
10	1	1 610 P63 043	Suppression Capacitor	64,00	654-6	1	1 610 P62 371	Wing Screw	71,00
11	1	1 610 P63 044	groove ball bearing	162,00	654-7	1	1 610 P63 055	Screw	30,00
14	1	1 610 P63 050	groove ball bearing	283,00	654-8	1	1 610 P63 070	Bushing	30,00
16	4	1 610 P63 052	Screw	30,00	654-9	1	1 610 P63 071	Plain Washer	30,00
21	1	1 610 P63 053	Bearing sleeve	54,00	654-10	1	1 610 P63 072	Corrugated Washer	30,00
23	1	1 610 P63 054	Backstop ring	30,00	654-11	1	1 610 P62 372	Wing Screw	60,00
24	1	1 610 P63 055	Spacer Ring	30,00	655	1	1 610 P63 021	Edge Guide	368,00
25	1	1 610 P63 056	Corrugated Washer	30,00	655-1	1	1 610 P63 072	Edge Guide	101,00
26	1	1 610 P63 057	Color Mark 60V/110V	64,00	655-2	1	1 610 P63 074	Guide Bracket	108,00
27	1	1 610 P63 058	Union Nut	60,00	655-3	1	1 610 P63 075	Special Screw	31,00
28	1	1 610 P63 059	Clamp Screw	30,00	655-4	1	1 610 P63 076	Plain Washer	30,00
29	1	1 610 P62 269	Cover	120,00	655-5	1	1 610 P62 373	Wing Screw	30,00
30	3	1 610 P63 061	Terminal Block	30,00	655-6	1	1 610 P63 071	Plain Washer	30,00
31	2	1 610 P63 062	Brush-Cover	30,00	655-10	1	1 610 P63 072	Corrugated Washer	30,00
32	1	1 610 P62 267	Motor Housing	160,00	655	1	1 610 P62 316	Base	710,00
33	2	1 610 P63 063	Screw	30,00	655-11	1	1 610 P63 077	Base	350,00

Please observe: Repairing, modifying and testing of electric tools are to be performed professionally. The safety regulations according to IEC 61140, AFNOR and other regulations of the individual countries are to be observed. Subject to change.

The price list supersedes all previous editions. Prices are subject to change without any prior notice.

3 601 FA0 0F1
GKF 550 | Fig. 14 to 17



Werkzeuge separat
Lieferung nicht enthalten
Bitte prüfen, wann immer
Sie ein Ersatzteil kaufen

2 / 3

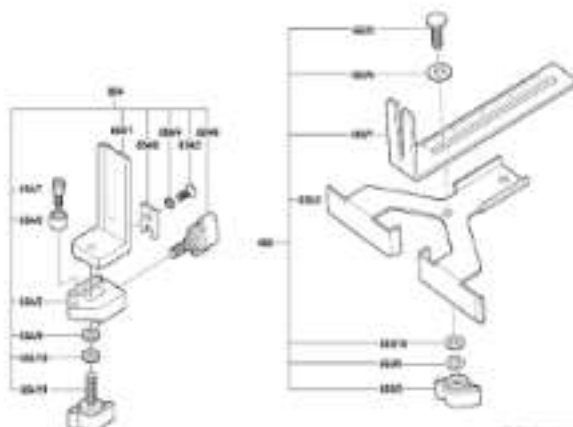
Model: 3 601 FA0 0F1 = 230

Item	Pc	Order no.	Description	LF in EUR	Item	Pc	Order no.	Description	LF in EUR
9502	1	1 618 P63 076	Base Plate	19,00					
9503	1	1 618 P62 374	Knurled Thumbscrew	04,00					
9504	1	1 618 P62 375	Knob	04,00					
9505	1	1 618 P62 076	Spacer	32,00					
9506	1	1 618 P63 080	Plain Washer	32,00					
9507	1	1 618 P62 375	Knurled Thumbscrew	04,00					
9508	1	1 618 P63 083	Chip Deflector	02,00					
9509	1	1 618 P62 071	Plain Washer	32,00					
9510	1	1 618 P63 070	Corrugated Washer	32,00					
9511	4	1 618 P63 081	Screw	32,00					
957	1	1 618 P67 222	Dust Extraction						
958	1	1 618 FC 1 076	Base						
9551	1	1 618 FC 1 058	Base						
9504	1	1 618 P67 225	Knob						
9505	1	1 618 P66 076	Gear						
903	1	1 618 P62 059	Hexspline						
910	1	1 618 P62 047	Carbon-Brush Set	144,00					
916	1	1 618 P62 051	Brush Holder	79,00					

Please observe: Repairing, modifying and testing of electric tools are to be performed professionally. The safety regulations according to IEC, EN, VDE, AFNOR and other regulations of the individual countries are to be observed. Subject to change.

The price list supersedes all previous editions. Prices are subject to change without any prior notice.

3 601 F40 0F1
3 601 F40 0F1 | BO **Fig. 15/23**



Washers used
for motor insulation
from other material
can not be used.

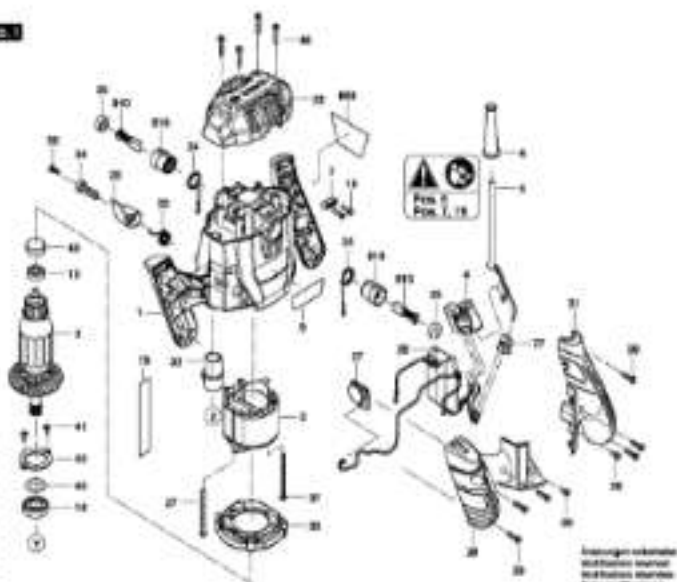
2 / 3

Model: 3 601 F40 0F1 = 230

Item	Pc	Order no.	Description	LP n / NR	Item	Pc	Order no.	Description	LP n / NR

440 F67 0F0
Spare parts list
Date: 01.01.2010

Accessories
Spare parts
Couple of screws
Part of option
Part No. | Qty. | Part No.
10 = 1,00 | 1,75 RoL
41 = 1,00 | 1,75 RoL
45 = 1,00 | 2,00 RoL
57 = 0,80 | 2,00 RoL
67 = 1,00 | 2,00 RoL
75 = 0,20 | 2,00 RoL
88 = 1,00 | 1,00 RoL
89 = 1,00 | 1,00 RoL
92 = 2,00 | 2,75 RoL
93 = 1,00 | 1,75 RoL
94 = 1,00 | 1,75 RoL



Accessories available
with factory standard
and factory standard
with modifications

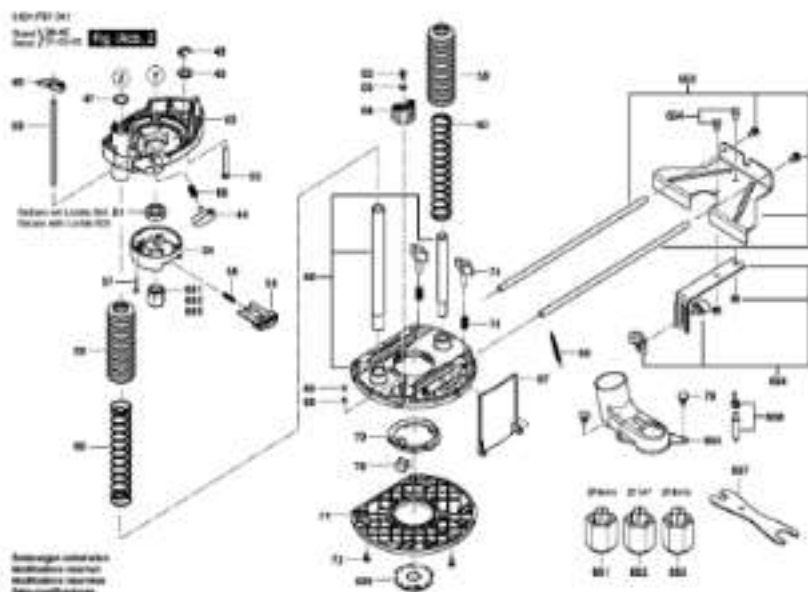
1 / 2

Model: 3 601 F67 0F0 = 230

Item	Pc	Order no.	Description	LF in EUR	Item	Pc	Order no.	Description	LF in EUR
1	1	1 619 P65 106	Motor Housing	758,00	36	1	1 619 P65 486	Screw	30,00
2	1	1 619 P65 441	Field assembly 220-240V	334,00	37	2	1 619 P65 470	Screw	30,00
3	1	1 619 P65 443	Armature 220-240V	1.203,00	38	1	1 619 P65 472	Air-Deflector Ring	30,00
4	1	1 619 P65 247	Switch	362,00	41	1	1 619 P65 473	Bearing Sleeve	30,00
5	1	1 619 P65 229	Power supply cord IHD		41	2	1 619 P65 474	Screw M4X10	30,00
6	1	1 619 P65 400	Grommet	30,00	42	1	1 619 P65 476	Pressure Plate	30,00
7	1	1 619 P65 541	Oil		43	1	1 619 P65 478	Flan Washer	30,00
8	1	1 619 P65 414	Manufacturers nameplate		44	1	1 619 P65 477	Wing Screw	30,00
13	1	1 619 P65 405	groove ball bearing 608-2Z	24,00	45	4	1 619 P65 475	Screw 4.2X22	30,00
14	1	1 619 P65 407	groove ball bearing	136,00	46	1	1 619 P65 158	Indicator	30,00
16	2	1 619 P65 456	Screw 2.5X16	30,00	47	2	1 619 P65 476	Ball Ring	30,00
23	1	1 619 P65 104	Cover	230,00	48	1	1 619 P65 480	Retaining snap ring	30,00
24	2	1 619 P65 406	Extension Spring	142,00	49	1	1 619 P65 481	Flan Washer	30,00
25	2	1 619 P65 401	Insulating Cap	30,00	50	1	1 619 P65 482	Guide Bracket	660,00
26	1	1 619 P65 170	Printed Circuit Board	1.194,00	51	1	1 619 P65 483	Special Nut	50,00
27	1	1 619 P65 402	Printed Board Assembly	301,00	52	4	1 619 P65 484	Lock-Screw M5X40	30,00
28	1	1 619 P65 103	Handle Cover	371,00	53	1	1 619 P65 485	Stop Lever	34,00
29	2	1 619 P65 403	Screw M4X10	30,00	54	1	1 619 P65 486	Cover	175,00
30	0	1 619 P65 404	Screw	30,00	55	1	1 619 P65 487	Spring Spring	30,00
31	0	1 619 P65 107	Handle Cover	364,00	56	1	1 619 P65 488	Stop Block	74,00
32	1	1 619 P65 489	Adjusting Spring	175,00	57	4	1 619 P65 489	Screw M4X18	30,00
33	1	1 619 P65 408	Torsion Spring	30,00	58	2	1 619 P65 490	Conspicuous Plate	34,00
34	1	1 619 P65 487	Locking bolt	142,00	60	2	1 619 P65 484	Spring Spring	30,00
35	1	1 619 P65 488	Locking Lever	30,00	62	1	1 619 P65 486	Screw M4X5	30,00

Please observe: Repairing, modifying and testing of electric tools are to be performed professionally. The safety regulations according to IEC 611, VDE, AFNOR and other regulations of the individual countries are to be observed. Subject to change.

The price list supersedes all previous editions. Prices are subject to change without any prior notice.



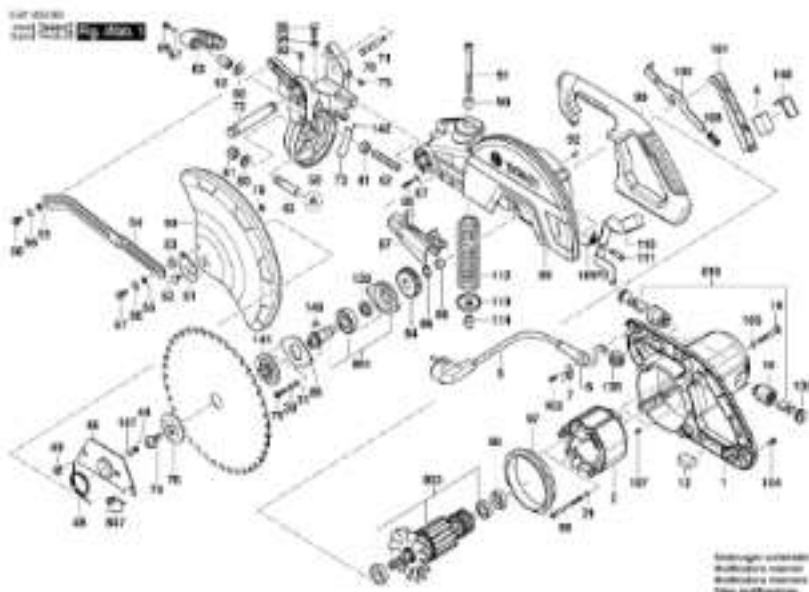
2 / 2

Model: 3 601 F67 0F0 = 230

Item	Pc	Order no.	Description	LF in EUR	Item	Pc	Order no.	Description	LF in EUR
60	1	1 616 P65 407	Spring Lock Washer	30,00	602	1	1 616 P65 401	Union Nut Ø 1/4 INCH	345,00
64	1	1 616 P65 452	Gage Block	120,00	603	1	1 616 P65 402	Union Nut Ø 3MM	338,00
66	1	1 616 P65 406	Capstud	30,00	604	1	1 616 P65 407	Nameplate	
68	1	1 616 P65 408	Spiral Spring	30,00	610	1	1 616 P65 405	Carbon-Brush Set	100,00
67	1	1 616 P65 200	Ohio Deflector	94,00	615	1	1 616 P65 403	Brush Holder	47,00
69	1	1 616 P65 101	Base	602,00					
80	1	1 616 P65 501	Spiral Spring	30,00					
70	1	1 616 P65 300	Holding Plate	111,00					
71	1	1 616 P65 303	Base Plate	287,00					
72	3	1 616 P65 504	Screw	30,00					
74	2	1 616 P65 308	Wing Screw	49,00					
76	2	1 616 P65 307	Spiral Spring	30,00					
78	1	1 616 P65 206	Block	35,00					
77	1	1 616 P65 306	Terminal Block	81,00					
73	2	1 616 P65 310	Screw M4x8	41,00					
75	1	1 616 P65 415	Lead						
82	1	1 616 P67 040	Spiral Spring						
803	1	1 616 P65 211	Parallel-Guide	415,00					
804	1	1 616 P65 215	Guide	180,00					
805	1	1 616 P65 321	Suction Piece	80,00					
806	1	1 616 P65 322	Guide	107,00					
807	1	1 800 A02 030	Assembly Wrench	113,00					
808	1	1 616 P65 323	Center Pin	70,00					
809	1	1 616 P65 402	Union Nut Ø 3MM	328,00					

Please observe: Repairing, modifying and testing of electric tools are to be performed professionally. The safety regulations according to IEC, EN, VDE, AFNOR and other regulations of the individual countries are to be observed. Subject to change.

The price list supersedes all previous editions. Prices are subject to change without any prior notice.

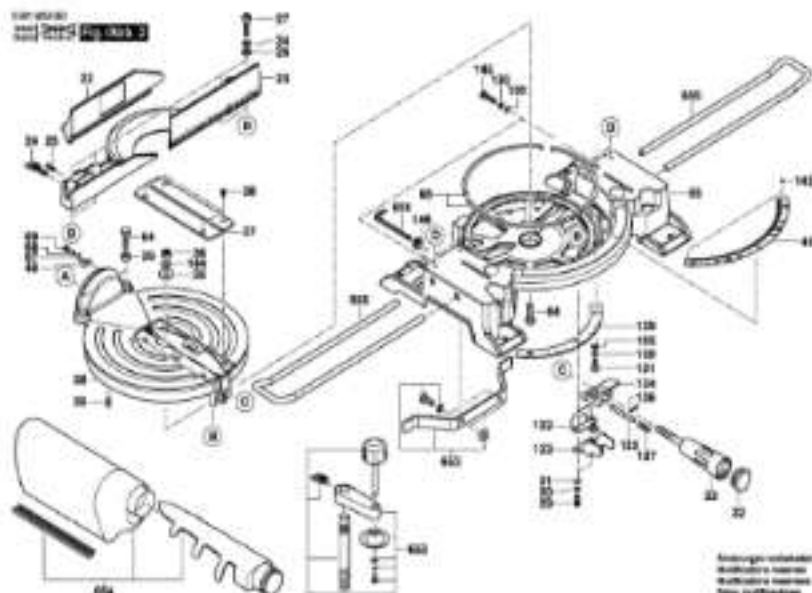


Model: 3 601 M2S 0F3 = 230

Item	Pc	Order no.	Description	LF in EUR	Item	Pc	Order no.	Description	LF in EUR
1	1	1 616 F47 071	Motor Housing	1.242,00	37	1	1 616 F48 238	Insert	142,00
2	1	1 616 F48 035	Field 230-240V	2.305,00	38	4	1 616 F48 239	Countersink-Head Screw	54,00
4	1	1 616 F48 703	Switch	540,00	39	1	1 616 F48 240	Nut	54,00
5	1	1 616 F55 133	Power supply cord		40	1	1 616 F48 241	Pointer	42,00
6	1	1 616 F47 031	Blommet	54,00	41	1	1 616 F48 242	Nut	42,00
7	1	500 303 J01	Fastening Clamp	42,00	42	1	1 616 F48 243	Set screw	54,00
12	1	1 616 F47 026	Suppression Capacitor	20,00	43	1	1 616 F48 244	Pivot Shaft	57,00
16	2	1 616 F48 020	Brush holder	225,00	44	1	1 616 F48 245	Selflocking nut	42,00
18	4	1 616 F47 000	Pan head screw	162,00	45	1	1 616 F48 246	Scale	42,00
22	1	1 616 F48 024	Mitre Fence	557,00	46	1	1 616 F48 248	Guard Plate	173,00
23	1	1 616 F48 025	Mitre Fence	1.222,00	48	1	1 616 F48 249	Torsion Spring	42,00
24	1	1 616 F48 026	Wing Screw	42,00	49	1	1 616 F48 248	Special Screw	42,00
25	2	1 616 F48 027	Set screw	42,00	50	1	1 616 F48 250	Protective Cover	557,00
26	4	1 616 F48 028	Plain Washer	36,00	51	1	1 616 F48 251	Guard Plate	54,00
27	4	1 616 F48 029	Hex Socket-Head Cap	66,00	52	1	1 616 F48 252	Special Screw	54,00
28	1	1 616 F48 030	Tool	2.875,00	53	1	1 616 F48 253	Bushing	42,00
30	2	1 616 F48 031	Pan head screw	42,00	54	1	1 616 F48 254	Linkage	232,00
36	4	1 616 F48 255	Spring Washer	42,00	55	2	1 616 F48 255	Bushing	54,00
37	0	1 616 F48 253	Plain Washer	54,00	56	2	1 616 F48 256	Plain Washer	42,00
38	0	1 616 F48 254	Cover	42,00	57	1	1 616 F48 257	Pan head screw	42,00
39	1	1 616 F48 256	Knob	234,00	58	1	1 616 F48 258	Special Screw	42,00
34	4	1 616 F48 261	Spring Washer	54,00	59	1	1 616 F48 260	Steering Block	1.128,00
35	1	1 616 F48 258	Plain Washer	42,00	60	2	1 616 F48 260	Plain Washer	42,00
35	1	1 616 F48 257	Self-locking nut	42,00	61	1	1 616 F48 261	Self-locking nut	42,00

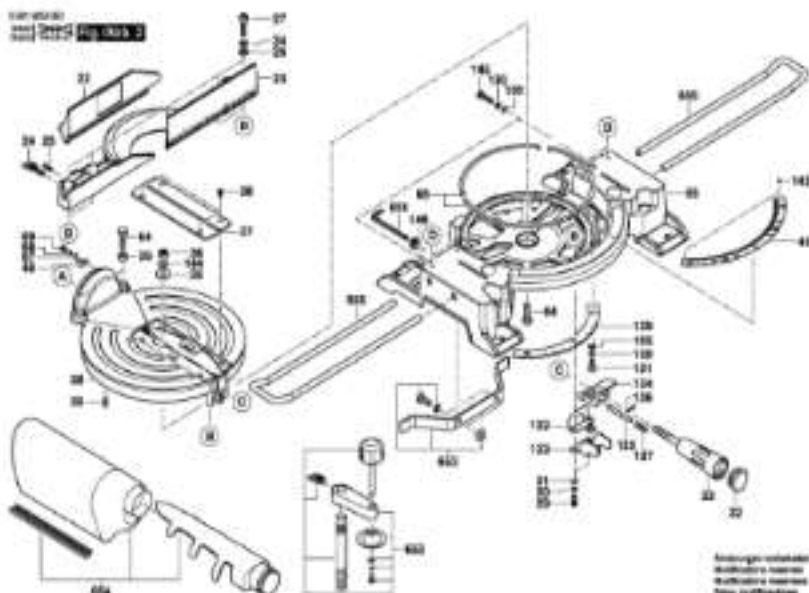
Please observe: Repairing, modifying and testing of electric tools are to be performed professionally. The safety regulations according to IEC 611, VDE, AFNOR and other regulations of the individual countries are to be observed. Subject to change.

The price list supersedes all previous editions. Prices are subject to change without any prior notice.



Model: 3 601 M2S 0F0 = 230

Item	Pc	Order no.	Description	LF in EUR	Item	Pc	Order no.	Description	LF in EUR
92	1	1 619 F48 285	Locking nut	30,00	90	1	1 619 F48 338	Brushing	43,00
93	1	1 619 F48 285	Lever	30,00	91	1	1 619 F48 337	Hex Screw	43,00
94	3	1 619 F48 284	Hex Screw	30,00	92	1	1 619 F48 335	Spacer Pin	43,00
95	1	1 619 F48 285	Base	2 610,00	93	1	1 619 F48 336	Set screw	43,00
96	3	1 619 F48 283	Sliding Plate	175,00	94	1	1 619 F48 336	Nut	43,00
97	3	1 619 F48 288	Plain Washer	43,00	95	1	1 619 F48 331	Hex Screw	43,00
98	1	1 619 F48 287	Spring Washer	43,00	96	1	1 619 F48 330	Rubber Ring	55,00
99	2	1 619 F48 285	Pin head screw	43,00	97	1	1 619 F48 332	Air-Deflector Ring	30,00
100	1	1 619 F48 289	Detent Pin	54,00	98	2	1 619 F48 334	Pin head screw	103,00
101	1	1 619 F48 291	O-Ring	43,00	99	1	1 619 F48 335	handle	451,00
102	1	1 619 F48 291	Pin Head	183,00	100	1	1 619 F48 335	shaft lock	30,00
103	1	1 619 F48 292	Scale	30,00	101	1	1 619 F48 337	Trigger	30,00
104	1	1 619 F48 432	Bolt	35,00	102	2	1 619 F48 336	Pin head screw	43,00
105	1	1 619 F47 248	Set screw	43,00	103	2	1 619 F48 335	Brush-Cover	43,00
106	1	1 619 F48 292	Clamping Flange	184,00	104	7	1 619 F47 000	Pin head screw	43,00
107	1	1 619 F47 034	Nut	43,00	105	6	1 619 F47 001	Plain Washer	43,00
108	2	1 619 F48 293	Pin head screw	43,00	107	2	1 619 F47 003	Set screw	43,00
109	1	1 619 F48 294	Bearing cover	54,00	108	1	1 619 F47 004	Compression Spring	43,00
110	1	1 619 F48 293	Helical Gear	342,00	109	1	1 619 F47 005	Torsion Spring	43,00
111	1	1 619 F48 291	Pin head screw	43,00	110	1	1 619 F47 006	Locking Lever	183,00
112	1	1 619 F48 292	Spring retaining ring	43,00	111	1	1 619 F47 007	Special Screw	43,00
113	1	1 619 F48 293	Dust Separator	43,00	112	1	1 619 F47 008	Compression Spring	43,00
114	1	1 619 F48 294	Needle bearing	30,00	113	1	1 619 F47 009	Spring Holder	54,00
115	1	1 619 F48 295	Safety Guard	2 280,00	114	1	1 619 F47 010	Positioning Pin	43,00



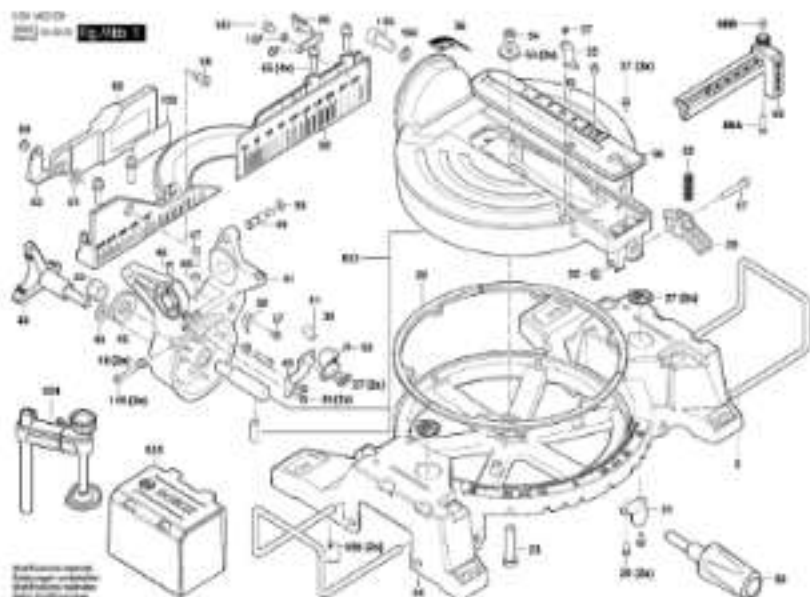
2 / 3

Model: 3 601 M2S 0F0 = 230

Item	Pc	Order no.	Description	LF in EUR	Item	Pc	Order no.	Description	LF in EUR
129	1	1 610 P47 011	Angle Plate	163,00	605	2	1 610 P47 218	Extension Stand	671,00
130	5	1 610 P47 012	Spring Washer	43,00	603	1	1 610 P47 048	Armature 220-240V	4.558,00
131	3	1 610 P47 013	Hex Socket Head Cap	43,00	610	1	1 610 P47 047	Carbon Brush Set	735,00
132	1	1 610 P47 014	Locking Plate	43,00	647	1	1 610 P47 046	Special Screw	43,00
133	1	1 610 P47 015	Bracket	39,00	651	1	1 610 P47 032	Spindle	573,00
134	1	1 610 P47 016	Push rod	54,00					
135	1	1 610 P47 017	Locking Bar	54,00					
136	1	1 610 P47 018	Locking pin	60,00					
137	1	1 610 P47 019	Compression Spring	43,00					
138	1	1 610 P47 020	Plug Connector	54,00					
139	1	1 610 P47 021	Bushing	43,00					
140	1	1 610 P47 022	Parallel Key	43,00					
141	1	1 610 P47 023	Clamping Flange	225,00					
142	4	1 610 P47 024	Rivet	43,00					
144	1	1 610 P47 026	Spring Washer	43,00					
145	2	1 610 P47 027	Flat head screw	43,00					
146	1	1 610 P47 028	Holder	43,00					
147	1	1 610 P47 029	Plain Washer	43,00					
148	1	1 610 P47 030	Spacer	44,00					
149	1	1 610 P47 031	Cable Set	163,00					
651	1	1 610 P47 036	Hexagon Socket Wrench	30,00					
652	1	1 610 P47 037	Clamp	481,00					
653	1	1 610 P47 049	Support Plate	163,00					
654	1	1 610 P47 051	Dust cap	273,00					

Please observe: Repairing, installing and testing of electric tools are to be performed professionally. The safety regulations according to IEC, EN, VDE, AFNOR and other regulations of the individual countries are to be observed. Subject to change.

The price list supersedes all previous editions. Prices are subjected to change without any prior notice.

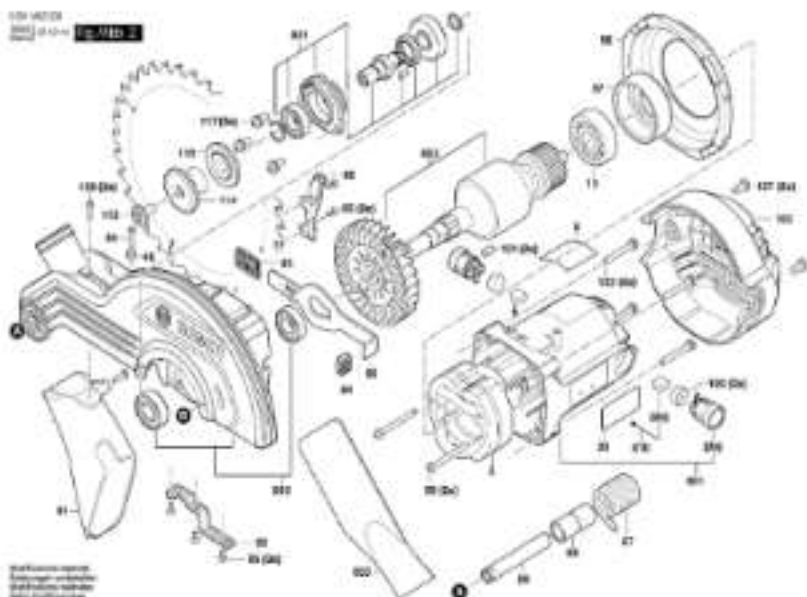


Model: 3 601 M52 0F3 = 250

Item	Pc	Order no.	Description	LF in EUR	Item	Pc	Order no.	Description	LF in EUR
2	1	1 619 P60 039	Field	1,020,00	41	1	1 619 P60 067	Arm	780,00
4	1	1 619 P60 075	Switch	410,00	42	2	1 619 P60 068	Washer	37,00
5	1	1 619 P60 050	Power supply cord		43	1	1 619 P60 069	Nut	30,00
6	1	1 619 P60 112	Grammer	33,00	44	1	1 619 P60 070	Rotary Handle	33,00
7	1	1 619 P60 036	Cable Clip	27,00	45	1	1 619 P60 104	Plain Washer G235A	27,00
8	1	1 619 P60 076	Nameplate		46	1	1 619 P60 072	Screw	27,00
10	1	1 619 P60 041	Capacitor	30,00	47	1	1 619 P60 073	Bolt	27,00
12	1	1 619 P60 042	Ball Bearing	30,00	48	4	1 619 P60 210	Nut	27,00
16	10	1 619 P60 038	Pin head screw	40,00	49	1	600 600 878	Detent Pin	40,00
20	1	1 619 P60 047	Warning Label		50	1	1 619 P60 114	O-Ring A68	27,00
22	3	1 619 P60 046	Pad	40,00	51	1	1 619 P60 077	Laser	210,00
23	1	1 619 P60 040	Bolt	27,00	52	1	1 619 P60 136	Pin head screw YL 102	27,00
25	1	1 619 P60 052	Base	2,500,00	53	2	1 619 P00 548	Washer SK2	27,00
27	2	1 619 P60 030	Label		54	1	1 619 P60 170	Hex Nut G235A	27,00
28	2	1 619 P60 151	Spring	27,00	55	1	1 619 P60 081	Pointer	27,00
29	1	1 619 P60 085	Detent	30,00	56	1	1 619 P60 082	Cover Plate	43,00
30	4	1 619 P60 035	Screw	27,00	57	1	1 619 P60 102	Bolt YL 102	27,00
31	1	1 619 P60 057	Spring Clip	30,00	58	1	1 619 P60 084	Rotary Handle	75,00
32	3	1 619 P60 140	Hex Nut G235A	27,00	59	1	1 619 P60 080	Bolt	28,00
35	1	1 619 P60 060	Scale	27,00	60	1	1 619 P60 086	Mitre Fence	1,100,00
37	7	1 619 P60 032	Screw	27,00	61	1	1 619 P60 087	Washer	27,00
38	1	1 619 P60 054	Pointer	27,00	62	1	1 619 P60 088	Mitre Fence	311,00
39	1	1 619 P60 055	Holder	30,00	63	1	1 619 P60 089	Washer	44,00
40	1	1 619 P60 056	Plate	30,00	64	1	1 619 P60 090	Nut	27,00

Please observe: Repairing, modifying and testing of electric tools are to be performed professionally. The safety regulations according to IEC 611, VDE, AFNOR and other regulations of the individual countries are to be observed. Subject to change.

The price list supersedes all previous editions. Prices are subject to change without any prior notice.



Model: 3 601 M52 0F3 = 250

Item	Pc	Order no.	Description	LF in EUR	Item	Pc	Order no.	Description	LF in EUR
95	4	1 619 P85 140	Socket head cap screw	27,00	105	1	1 619 P85 208	Pin head screw	27,00
96	1	1 619 P85 141	Rotary Knob G235A	35,00	106	2	1 619 P85 204	Shoulder Screw	27,00
97	1	1 619 P85 139	Pad	30,00	107	1	1 619 P85 132	Plate	34,00
98	1	1 619 P85 134	Stopper	373,00	108	2	1 619 P85 213	Tox-Fix-Head Screw	28,00
70	2	1 619 P85 099	Screw	27,00	110	1	1 619 P85 212	Compression Spring	27,00
94	1	1 619 P85 104	Push-Button	27,00	111	1	1 619 P85 214	Cover Plate	60,00
95	5	1 619 P85 158	Countersunk-Head Screw	27,00	112	1	1 619 P85 127	Washer	27,00
99	1	1 619 P85 112	Plate	27,00	113	1	1 619 P85 218	Bolt	24,00
97	1	1 619 P85 113	Torsion Spring	160,00	114	1	1 619 P85 140	Cleaming Flange	27,00
98	2	1 619 P85 162	Bushing G235A	27,00	115	1	1 619 P85 142	Cleaming Flange	27,00
99	1	1 619 P85 163	Shaft Pin-GP30	21,00	117	3	1 619 P85 143	Bolt	27,00
91	1	1 619 P85 117	Dust Separator	71,00	127	2	1 619 P85 163	Screw	27,00
92	1	1 619 P85 118	Plate	211,00	123	1	1 619 P85 225	Electronic Module	160,00
94	1	1 619 P85 130	Bolt	27,00	125	1	1 619 P85 220	Terminal Block	36,00
95	1	1 619 P85 126	Spring	35,00	130	1	1 619 P85 231	Linkage	27,00
96	1	1 619 P85 122	shaft lock	52,00	131	1	1 619 P85 242	Linkage	27,00
97	1	1 619 P85 123	Rubber Bushing	54,00	132	1	1 619 P85 180	Handle	153,00
98	1	1 619 P85 124	Baffle	54,00	133	2	1 619 P85 235	Pin head screw	27,00
99	2	1 619 P85 125	Screw	27,00	134	2	1 619 P85 236	Pin head screw	27,00
100	2	1 619 P85 128	Cover	165,00	135	1	1 619 P85 237	Handle	33,00
101	2	1 619 P85 201	Set screw	27,00	136	1	1 619 P85 238	Switch	58,00
102	4	1 619 P85 202	Pin head screw	27,00	137	1	1 619 P85 183	Screw	27,00
103	1	1 619 P85 129	Housing Cover	40,00	138	1	1 619 P85 244	Spring	27,00
104	1	1 619 P85 130	Linkage	155,00	139	1	1 619 P85 155	Induction Coil	35,00

Please observe: Repairing, modifying and testing of electro-tools are to be performed professionally. The safety regulations according to IEC, EN, VDE, AFNOR and other regulations of the individual countries are to be observed. Subject to change.

The price list supersedes all previous editions. Prices are subject to change without any prior notice.

100 V AC/10 A

200 V AC/10 A

Fig. No. 1

Accessories

Tools and equipment

Tools for setting

Tools for setting

Tools for setting

Tools for setting

Tools for setting

Tools for setting

Tools for setting

Tools for setting

Tools for setting

Tools for setting

Tools for setting

Tools for setting

Tools for setting

Tools for setting

Tools for setting

Tools for setting

Tools for setting

Tools for setting

Tools for setting

Tools for setting

Tools for setting

Tools for setting

Tools for setting

Tools for setting

Tools for setting

Tools for setting

Tools for setting

Tools for setting

Tools for setting

Tools for setting

Tools for setting

Tools for setting

Tools for setting

Tools for setting

Tools for setting

Tools for setting

Tools for setting

Tools for setting

Tools for setting

Tools for setting

Tools for setting

Tools for setting

Tools for setting

Tools for setting

Tools for setting

Tools for setting

Tools for setting

Tools for setting

Tools for setting

Tools for setting

Tools for setting

Tools for setting

Tools for setting

Tools for setting

Tools for setting

Tools for setting

Tools for setting

Tools for setting

Tools for setting

Tools for setting

Tools for setting

Tools for setting

Tools for setting

Tools for setting

Tools for setting

Tools for setting

Tools for setting

Tools for setting

Tools for setting

Tools for setting

Tools for setting

Tools for setting

Tools for setting

Tools for setting

Tools for setting

Tools for setting

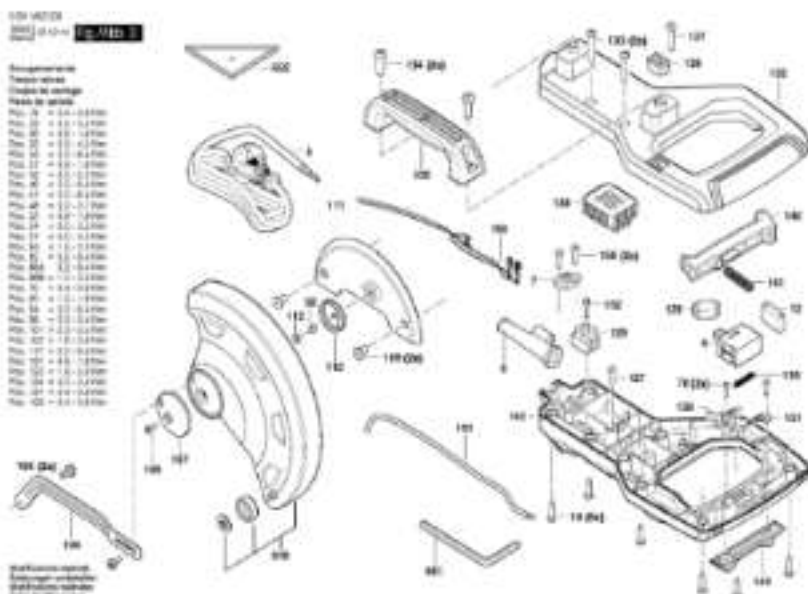
Tools for setting

Tools for setting

Tools for setting

Tools for setting

Tools for setting



2 / 3

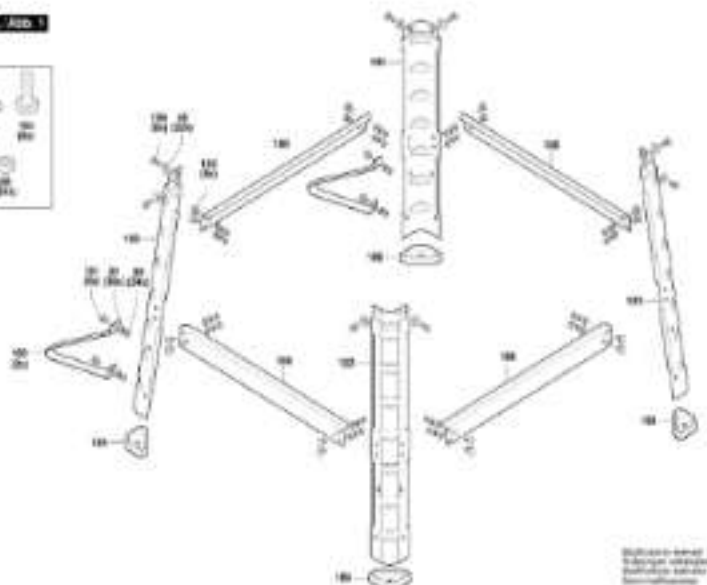
Model: 3 601 M52 0F0 = 230

Item	Pc	Order no.	Description	LF in EUR	Item	Pc	Order no.	Description	LF in EUR
140	1	1 610 P60 188	Switch Button	25,00	323	1	1 610 P60 145	Table	1 334,00
141	1	1 610 P60 241	Spring	33,00	324	1	1 610 P60 135	Drive shaft set	1 148,00
142	1	1 610 P60 106	Handle	105,00	325	1	1 610 P60 142	Upper guard	2 241,00
143	1	1 610 P60 228	Interlock	28,00					
145	1	1 610 P60 171	Bolt	27,00					
146	2	1 610 P60 172	Bolt	27,00					
147	1	1 610 P60 137	Socket head cap screw	27,00					
150	1	1 610 P60 175	Connecting Cable	27,00					
161	1	1 610 P60 177	Connector Cable	45,00					
162	1	1 610 P60 229	Pan head screw	27,00					
166	1	1 610 P60 121	Washer	27,00					
167	1	1 610 P60 133	Spring Washer 6MM	27,00					
188	4	1 610 P60 256	Screw	27,00					
189	1	1 610 P60 274	Label						
261	1	1 610 P60 150	Clamping wrench	35,00					
262	1	1 610 P60 147	Measuring rule	27,00					
263	1	1 610 P60 245	Dust Bag	102,00					
264	1	1 610 P60 102	Mounting Clamp	440,00					
265	1	1 610 P60 230	Supporting Block	315,00					
266	1	1 610 P60 401	Extension Stand	422,00					
267	1	1 610 P60 154	Housing Assembly	787,00					
268	1	1 610 P60 103	Armature assembly	2 032,00					
210	1	1 610 P60 144	Carbon Brush	320,00					
211	1	1 610 P60 151	Plate	272,00					

Please observe: Repairing, modifying and testing of electro-tools are to be performed professionally. The safety regulations according to IEC, EN, VDE, AFNOR and other regulations of the individual countries are to be observed. Subject to change.

The price list supersedes all previous editions. Prices are subjected to change without any prior notice.

3 601 M45 0F3
GT3 254 | Fig. 100-1



1 / 7

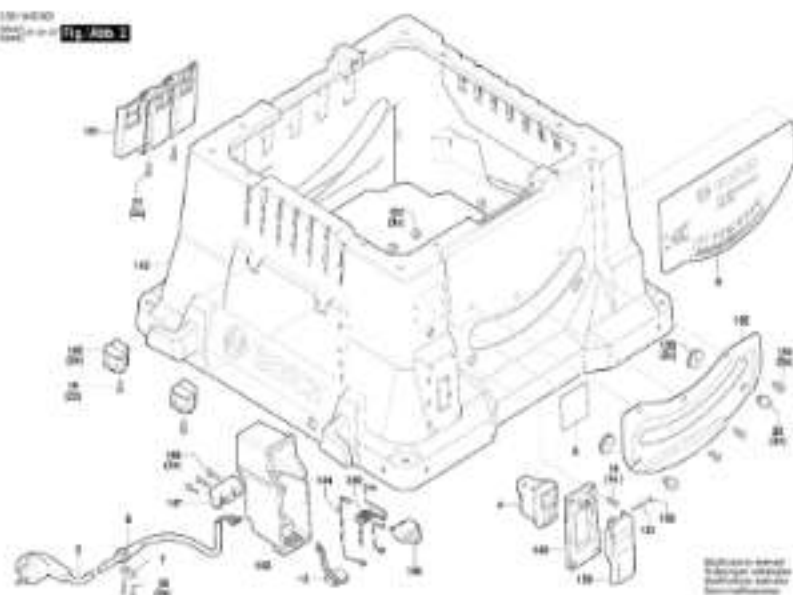
Model: 3 601 M45 0F3 = 230

Item	Pc	Order no.	Description	LF in EUR	Item	Pc	Order no.	Description	LF in EUR
2	1	1 604 320 521	Field	2 048,00	80	1	1 600 400 20V	Plate	30,00
4	1	1 607 300 371	Switch	385,00	81	1	1 600 400 208	Screw	30,00
5	1	1 616 980 281	Power Cable (NO)		84	1	1 600 400 203	Locking Lever	130,00
6	1	1 600 703 058	Grommet	30,00	85	1	1 600 400 20V	Gears	275,00
7	2	1 600 402 28V	Clamp	30,00	87	1	1 600 400 2F1	Winding Knife	357,00
8	1	1 601 114 308	Nameplate		88	1	1 600 400 20H	Bolt	40,00
9	1	1 601 11C 308H	Stroke		87	1	1 600 400 20H	Stop Plate	30,00
12	1	1 616 980 281	Suppression Capacitor	180,00	88	1	1 600 400 20H	Stop Plate	47,00
13	1	1 600 900 030	groove ball bearing	230,00	89	1	1 610 987 300	Insert	800,00
16	10	1 600 430 08H	Screw	30,00	90	1	1 600 400 2F2	Cip	132,00
23	3	1 600 402 20F	Nut	30,00	91	1	1 600 430 082	Screw	30,00
27	1	1 600 402 202	Plug	30,00	92	1	1 600 430 04L	Cover	30,00
28	1	1 600 402 289	End stop	430,00	93	1	1 600 400 2F5	Table top	850,00
33	2	1 600 402 20M	Bolt	30,00	94	1	1 600 400 28T	Base	217,00
33	1	1 600 402 28H	Plug	30,00	95	4	1 600 430 030	Screw	30,00
34	4	1 600 402 20C	Knob	30,00	96	1	1 600 400 2E1	Plug	30,00
35	8	1 600 430 03V	Screw	30,00	97	13	1 600 400 001	Screw	30,00
42	1	1 600 402 28T	Locking Pin	40,00	98	1	1 600 400 2F6	Table top	4 387,00
44	1	1 600 402 2FM	Clamping Lever	94,00	99	2	1 600 400 2E2	Handle	40,00
46	1	1 600 402 2FV	Wheel	30,00	100	1	1 600 400 200	Seat	200,00
48	20	1 600 402 20C	Gasket	30,00	101	4	1 600 430 092	Screw	30,00
47	5	1 600 430 03F	Screw	30,00	102	2	1 600 400 208	Seat	40,00
48	1	1 600 402 283	Bracket	70,00	103	8	1 600 430 003	Screw	30,00
49	2	1 600 430 03F	Screw	30,00	104	1	1 600 400 202	Torsion Spring	30,00

Please observe: Repairing, modifying and testing of electric tools are to be performed professionally. The safety regulations according to IEC, EN, VDE, AFNOR and other regulations of the individual countries are to be observed. Subject to change.

The price list supersedes all previous editions. Prices are subject to change without any prior notice.

3 601 M4S 0F0
 GTS 254 | BO

Fig. 406.3


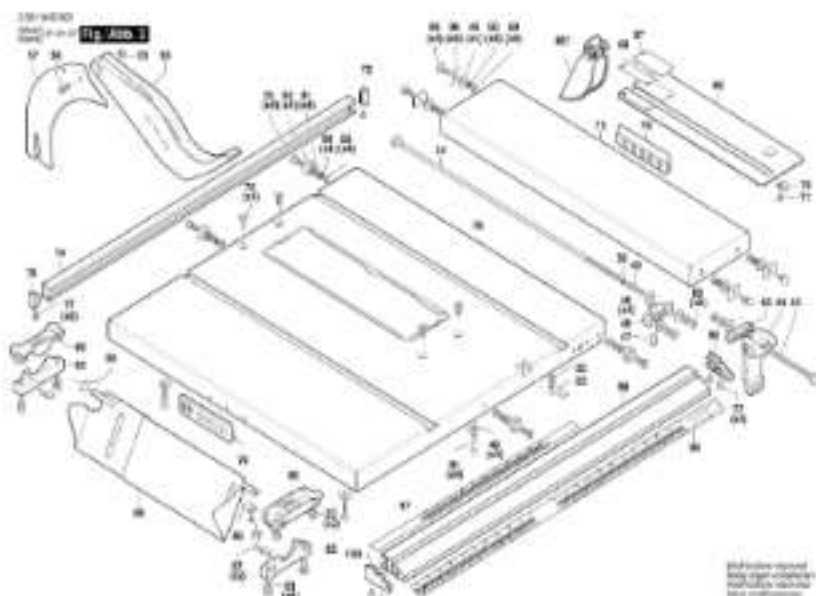
2 / 7

Model: 3 601 M4S 0F0 = 230

Item	Pc	Order no.	Description	LF in EUR	Item	Pc	Order no.	Description	LF in EUR
95	1	1 600 402 302	Guard	304,00	113	1	1 600 400 276	Output Shaft	100,00
96	1	1 600 402 306	Guard	30,00	114	1	1 603 436 03R	Screw	30,00
97	2	1 600 402 317	Grill	30,00	115	1	1 600 400 281	Crown Gear	752,00
98	1	1 600 402 323	Seat	270,00	116	1	1 600 400 286	Riving Knife	91,00
99	34	1 600 402 325	Nut	30,00	117	1	1 600 400 294	Circle	30,00
99	5A	1 600 180 03M	Spring Washer	30,00	118	2	1 603 436 036	Screw	30,00
91	20	1 600 400 29M	Washer	20,00	120	1	1 600 400 299	Seat	300,00
92	4	1 600 402 375	Scale Wheel	30,00	121	1	1 600 400 278	pad	30,00
93	1	1 600 400 276	Indicator	30,00	122	1	1 600 400 20H	Seat	140,00
94	4	1 600 402 32P	mounting plate	30,00	123	1	1 600 400 20L	Plate	1 270,00
95	4	1 600 402 32P	Seat	30,00	124	1	1 600 400 20L	Nut	70,00
96	1	1 600 400 282	Plug	30,00	125	4	1 603 436 027	Screw	30,00
97	1	1 600 402 289	Scale	71,00	123	2	1 603 436 036	Screw	30,00
98	1	1 600 402 28U	Seat	277,00	126	1	1 600 400 27U	Washer	30,00
99	1	1 600 402 28R	Scale	45,00	130	2	1 600 400 268	Cap	30,00
100	1	1 600 402 283	Plug	30,00	131	1	1 605 536 24H	Cover	55,00
101	4	1 600 402 320	Gasket	30,00	132	1	1 600 400 26L	Connecting Wire	30,00
102	1	1 605 500 24M	Cover	520,00	133	2	1 600 400 28H	Washer	30,00
103	1	1 603 436 034	Screw	70,00	134	2	1 603 436 036	Screw	30,00
105	1	1 600 402 374	Flange	71,00	135	1	1 600 400 264	Bleed	30,00
107	1	1 616 985 074	Flange	182,00	136	1	1 600 400 208	Ring	240,00
108	1	1 600 402 327	Plate	74,00	137	2	1 605 333 27P	Bevel Gear	174,00
109	4	1 603 436 036	Screw	30,00	138	2	1 603 436 036	Screw	30,00
112	1	1 600 402 27P	Woodruff Key	30,00	139	1	1 600 400 226	Bleed	30,00

Please observe: Repairing, modifying and testing of electric tools are to be performed professionally. The safety regulations according to IEC, EN, VDE, AFNOR and other regulations of the individual countries are to be observed. Subject to change.

The price list supersedes all previous editions. Prices are subject to change without any prior notice.



3 / 7

Model: 3 601 M45 0F0 = 230 / V

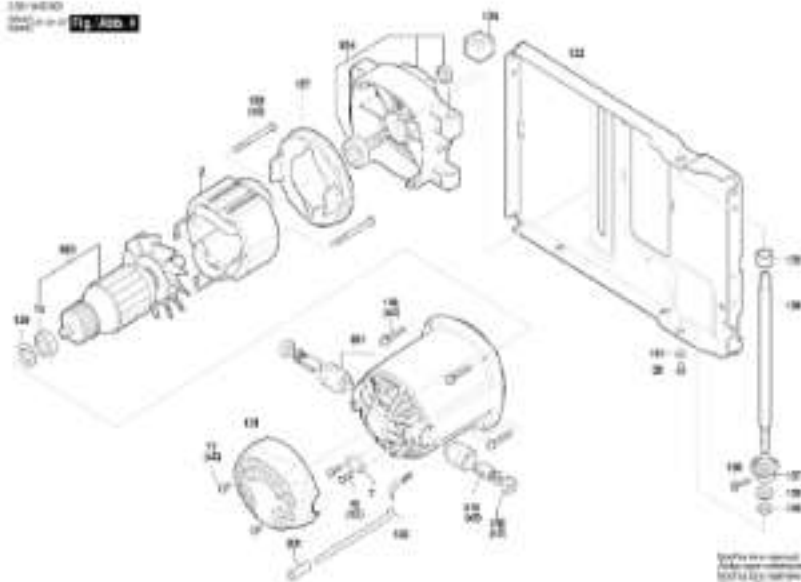
Item	Pc	Order no.	Description	LP in EUR	Item	Pc	Order no.	Description	LP in EUR
140	1	1 600 402 22P	Washer	30,00	155	1	1 600 400 10B	Screw	30,00
141	1	1 600 402 22V	Equipment Holder	82,00	156	1	1 600 402 20K	Nut	57,00
142	2	1 600 402 22U	Seat	30,00	157	1	1 600 402 26B	Washer	45,00
143	1	1 600 402 27Z	Body	3 054,00	158	1	1 600 400 2D1	Pointer	30,00
144	1	1 604 400 01P	Cable	39,00	159	1	1 600 402 2F0	Shaft	123,00
145	1	1 600 402 23B	Protection	123,00	170	2	1 600 400 10P	Screw	30,00
146	3	1 600 400 10B	Screw	30,00	171	1	1 600 400 20A	Rod	140,00
147	1	1 600 402 2F0	Bracket	30,00	172	1	1 600 400 28C	Sleeve	29,00
148	1	1 600 402 20K	Seat	100,00	173	1	1 600 400 20B	Plate	113,00
149	1	1 600 402 20B	Switch Cover	48,00	174	1	1 600 400 20L	Seat	138,00
150	1	1 600 402 28V	Pin	30,00	175	4	1 600 400 09D	Screw	30,00
151	1	1 600 402 20A	Switch Spring	30,00	176	1	1 600 400 26A	Plug	30,00
152	1	1 600 402 28Z	Trigger	45,00	177	1	1 600 402 2F9	Plate	143,00
154	3	1 600 400 09C	Screw	30,00	178	1	1 600 400 28B	Plug	30,00
155	1	1 600 402 20T	Plate	420,00	179	2	1 600 400 09H	Screw	30,00
156	2	1 600 402 20H	Nut	30,00	180	4	1 600 400 28D	Flange	954,00
157	2	1 600 402 20J	Nut	30,00	181	4	1 600 400 28V	Supporting foot	30,00
158	1	1 600 402 28V	Cap	30,00	182	2	1 600 400 2F8	Support	279,00
159	1	1 600 402 14D	Handle	43,00	191	4	1 600 400 10L	Screw	30,00
160	1	1 600 400 10D	Screw	30,00	192	2	1 600 400 10M	Screw	30,00
161	1	1 600 402 2FE	Washer	30,00	193	4	1 600 400 2FV	Table Leg	1 960,00
162	2	1 600 402 28R	Washer	30,00	194	2	1 600 400 09H	Screw	30,00
163	1	1 600 402 20T	Spring	30,00	195	1	1 600 400 20T	Push Rod	38,00
164	1	1 600 402 2F8	Lever	92,00	196	1	1 600 400 2F8	Cropping ratchet	59,00

Please observe: Repairing, modifying and testing of electric tools are to be performed professionally. The safety regulations according to IEC 611, VDE, AFNOR and other regulations of the individual countries are to be observed. Subject to change.

The price list supersedes all previous editions. Prices are subject to change without any prior notice.

3 601 M45 0F0
GT8 254 | BO

Fig. 400. 4



4 / 7

Model: 3 601 M45 0F0 = 230

Item	Pc	Order no.	Description	LF in EUR	Item	Pc	Order no.	Description	LF in EUR
197	1	1 602 402 074	Assembly Wrench	75,00					
198	1	1 602 430 047	Screw	30,00					
199	1	1 602 402 074	Spring	30,00					
200	1	1 616 P66 207	Inductor	30,00					
201	3	1 602 402 074	Tube	35,00					
202	1	1 616 P66 270	Motor Housing	705,00					
203	1	1 616 P67 258	Armature	3140,00					
210	1	1 616 P66 230	Carbon-brush Belt	230,00					
211	1	1 616 P66 278	Sealing cover	675,00					
205	1	1 616 P67 259	Gear Housing	2 194,00					
220	1	1 616 P66 271	Blade Guide	487,00					
221	1	1 616 P66 270	Flail	677,00					
222	1	1 616 P66 272	Mitre Fence						

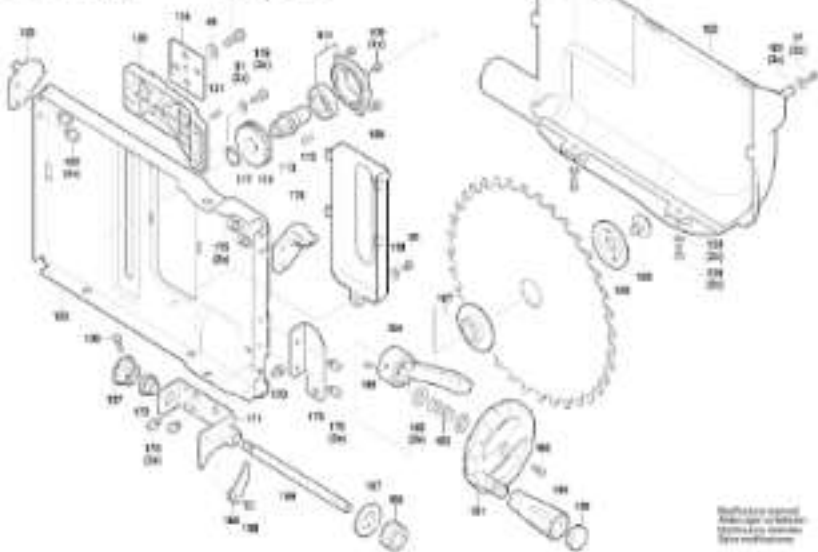
Please observe: Repairing, modifying and testing of electric tools are to be performed professionally. The safety regulations according to IEC, EN, VDE, AFNOR and other regulations of the individual countries are to be observed. Subject to change.

The price list supersedes all previous editions. Prices are subjected to change without any prior notice.

3 601 M4S 0F0
GT8 254 | BO | BO

Fig. 100

Fig. 100 Assembly for 3 601 M4S 0F0

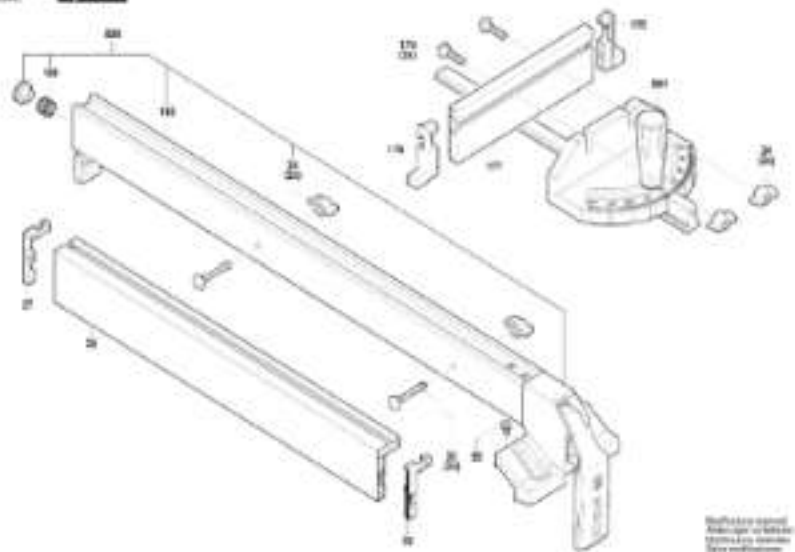


Replaces original
Assembly for table
3 601 M4S 0F0
3 601 M4S 0F0

5 / 7

Model: 3 601 M4S 0F0 - 250

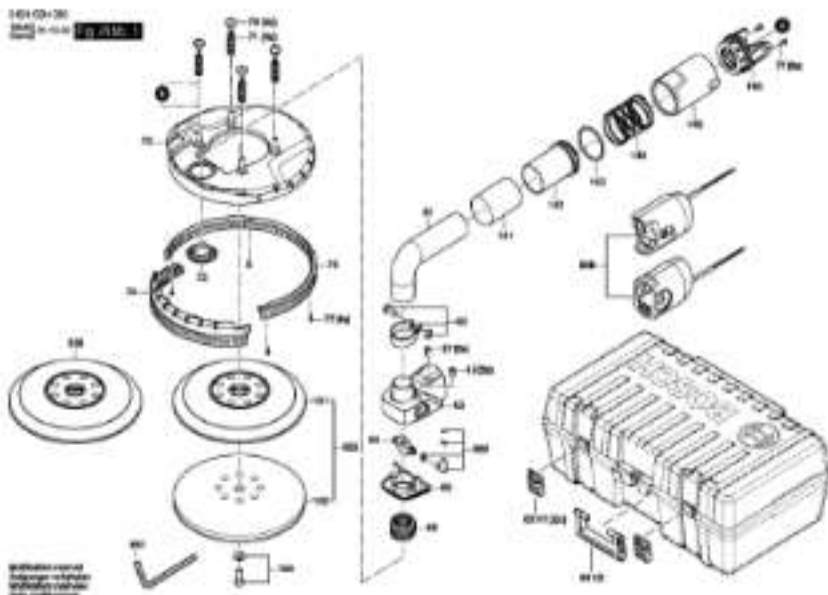
Item	Pc.	Order no.	Description	LP in bill	Item	Pc.	Order no.	Description	LP in bill

3 601 M4S 0F3
GT8 254
Fig. 200Wichtige Hinweise
Anwendungszweck
Sicherheitshinweise
Bitte lesen!

T 1 T

Model: 3 601 M4S 0F3 - 250

Item	Pc.	Order no.	Description	LP in ITR	Item	Pc.	Order no.	Description	LP in ITR



1 / 8

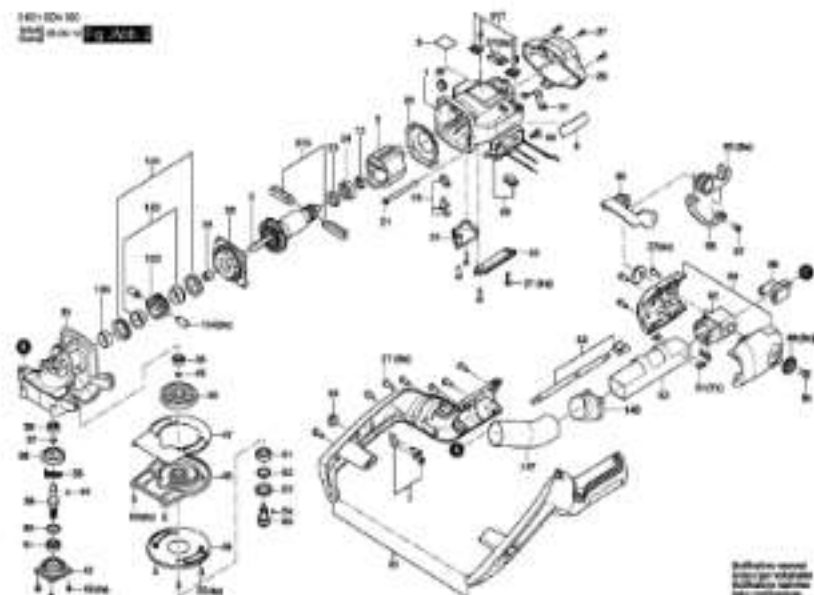
Model: 3 601 GD4 0F0 = 230

Item	Pc	Order no.	Description	LF in EUR	Item	Pc	Order no.	Description	LF in EUR
1	1	1 610 P65 241	Motor Housing	302,00	35	1	1 610 P65 268	Gear Housing	738,00
2	1	1 610 P65 242	Field 220-240V	1,142,00	36	2	1 610 P65 267	groove ball bearing 608-3Z	148,00
3	1	1 610 P65 243	Armature 220-240V	1,943,00	37	1	1 610 P65 265	Retaining ring	30,00
4	1	1 610 P65 244	Switch	302,00	38	1	1 610 P65 266	Crown Gear	470,00
5	1	1 610 P65 255	Power supply cord		39	1	1 610 P65 270	Transmission shaft	328,00
6	1	1 610 P65 245	Grommet	30,00	40	1	1 610 P65 271	Retaining ring	30,00
7	2	1 610 P65 221	Fastening Clamps	30,00	41	1	1 610 P65 272	groove ball bearing 695	524,00
8	1	1 610 P65 230	Nameplate INO 230V		42	1	1 610 P65 273	Bearing Flange	168,00
9	1	1 610 P65 240	Manufacturer's nameplate		43	8	1 610 P65 274	Cross Recessed-Head	30,00
10	1	1 610 P65 260	groove ball bearing	481,00	44	1	1 610 P65 275	Woodruff Key	30,00
11	1	1 610 P65 262	Fastening Clamps	30,00	45	1	1 610 P65 276	Retaining ring Ø10	30,00
12	2	1 610 P65 232	Tapping Screws BT4X6	30,00	46	1	1 610 P65 277	Cylindrical Gear	871,00
13	1	1 610 P65 265	Bearing Flange	305,00	47	1	1 610 P65 278	Sealing Disc	30,00
14	1	1 610 P65 264	Magnet	932,00	48	1	1 610 P65 279	Bearing Flange	262,00
15	1	1 610 P65 263	Mounting Sleeve	30,00	49	1	1 610 P65 280	Sealing Plate	87,00
16	1	1 610 P65 250	Air-Deflector Ring	30,00	50	1	1 610 P65 281	Output Shaft	285,00
17	2	1 610 P65 267	Grommet	30,00	51	1	1 610 P65 282	groove ball bearing N6K	903,00
18	40	1 610 P65 258	Tapping Screws BT4X16	30,00	52	1	1 610 P65 283	Retaining ring	30,00
19	1	1 610 P65 259	Housing Cover	138,00	53	1	1 610 P65 284	Dust seal	97,00
20	1	1 610 P65 251	Electronic Assembly	1,677,00	54	1	1 610 P65 285	Flat Key	30,00
21	1	1 610 P65 261	Workpiece support	30,00	55	10	1 610 P65 217	Countersunk-Head Screw	30,00
22	1	1 610 P65 269	Housing Cover	94,00	56	4	1 610 P65 218	Cross Recessed-Head	30,00
23	1	1 610 P65 254	Housing Cover	80,00	57	2	1 610 P65 284	Inductor	94,00
24	1	1 610 P65 266	Needle bearing HK1012	332,00	58	1	1 607 000 29v	Spring	30,00

Please observe: Repairing, modifying and testing of electro-tools are to be performed professionally. The safety regulations according to IEC, EN, VDE, AFNOR and other regulations of the individual countries are to be observed. Subject to change.

The price list supersedes all previous editions. Prices are subject to change without any prior notice.

1 601 GD4 0F0
3 601 GD4 0F0 | BO



Indicates special
tools for assembly
and maintenance

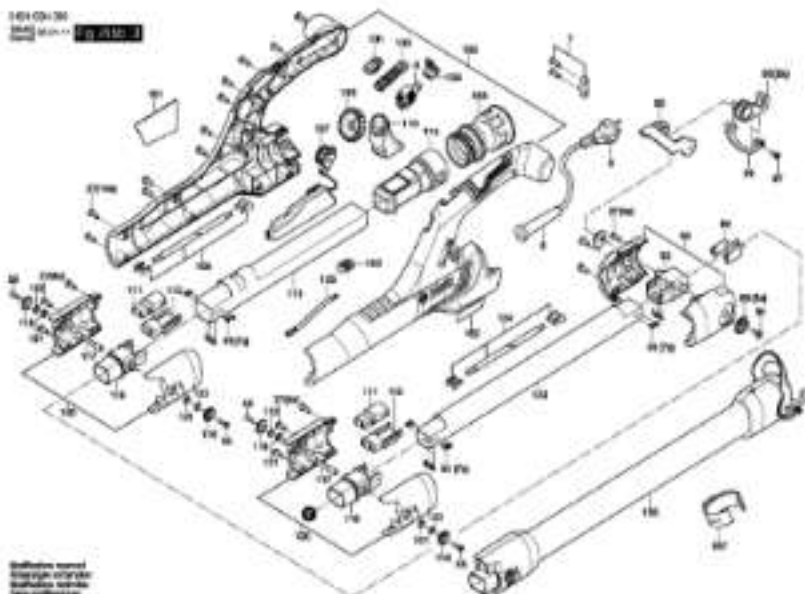
2 / 4

Model: 3 601 GD4 0F0 = 230 V / N

Item	Pc	Order no.	Description	LF in EUR	Item	Pc	Order no.	Description	LF in EUR
91	1	1 610 P65 026	Corrugated Pipe	67,00	96	2	1 610 P65 016	Connecting piece	175,00
92	1	1 610 P65 027	locking ring	20,00	97	4	1 610 P65 018	Countersink-Head Screw	30,00
93	1	1 610 P65 028	Control Housing	131,00	101	1	1 610 P65 019	Switch Button	30,00
94	1	1 610 P65 029	Valve Insert	67,00	102	1	1 610 P65 020	Adjusting Slide	30,00
95	1	1 610 P65 030	Housing Cover	30,00	104	1	1 610 P65 022	Centlever	30,00
96	1	1 610 P65 034	Corrugated Pipe	67,00	105	1	1 610 P65 023	Handle	600,00
70	4	1 610 P65 025	Cross Recessed-Head Screw	30,00	108	1	1 610 P65 024	Connection Cable	135,00
71	4	1 610 P65 026	Spring	30,00	107	1	1 610 P65 025	Speed governor 220-240V	230,00
72	1	1 610 P65 027	Covering hood	602,00	109	1	1 610 P65 027	Flow Governor	40,00
73	1	1 610 P65 028	Pressure Plate	30,00	110	1	1 610 P65 028	Intermediate housing	60,00
74	1	1 610 P65 029	Strip brush	235,00	111	2	1 610 P65 029	Socket housing	30,00
75	1	1 610 P65 030	Strip brush	205,00	112	2	1 610 P65 030	plastic covering	30,00
77	2	1 610 P65 027	Tapping Screws BT4X14	30,00	113	1	1 610 P65 031	Aluminum Tubing	735,00
97	1	1 610 P65 031	Support Frame	1.240,00	114	1	1 610 P65 032	Hose Coupling	130,00
92	1	1 610 P65 030	Connection Cable	140,00	115	2	1 610 P65 034	Mounting Bracket	200,00
93	1	1 610 P65 032	Aluminum Tubing	470,00	117	2	1 610 P65 035	Cam Shaft	400,00
94	2	1 610 P65 034	plastic covering	334,00	112	4	1 610 P65 036	Cam	260,00
98	2	1 610 P65 036	plug-in connector	165,00	120	2	1 610 P65 037	plastic covering	234,00
99	4	1 610 P65 038	Cam	175,00	121	4	1 610 P65 038	Trim ring	30,00
90	2	1 610 P65 010	head lever	127,00	122	4	1 610 P65 039	Pat Pad	30,00
91	25	1 610 P65 011	Cross Recessed-Head Screw	30,00	123	1	1 610 P65 038	Aluminum Tubing	1.910,00
92	2	1 610 P65 012	Mounting Bracket	100,00	124	1	1 610 P65 007	Connection Cable	160,00
94	4	1 610 P65 033	Screw	30,00	125	1	1 607 000 040	Connection Cable PVC	
95	4	1 610 P65 014	Hook	25,00	131	2	1 610 P65 040	Rubber Buffer	30,00

3 601 GD4 0F0

3 601 GD4 0F0 | 80



Indicates correct
assembly order
Indicates correct
fit direction

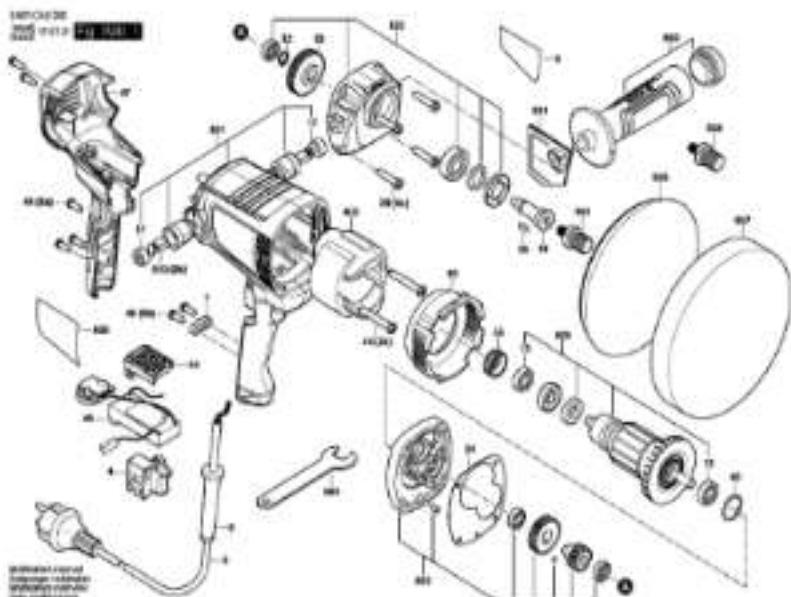
2 / 4

Model: 3 601 GD4 0F0 = 230

Item	Pc	Order no.	Description	LF in EUR	Item	Pc	Order no.	Description	LF in EUR
132	2	1 616 P88 041	Pushing	30,00	6010	1	1 610 P88 050	Handle	192,00
133	1	1 616 P88 042	Knob sleeve	234,00	610	1	1 607 000 074	Carbon-Brush Set PUJ	452,00
134	2	1 616 P88 043	Straight Pin	87,00	617	1	1 616 P88 031	Pressure Plate	30,00
135	1	1 616 P88 045	Spring		665	1	1 616 P88 035	operation button	80,00
141	1	1 616 P88 044	Protective Butt	335,00	666	1	1 607 000 050	Connector 51P850	940,00
142	1	1 616 P88 046	Threaded Bushing	142,00					
143	1	1 616 P88 048	Seal Ring	30,00					
144	1	1 616 P88 047	Spring	87,00					
145	1	1 616 P88 049	Slide Bushing	82,00					
146	1	1 616 P88 048	Hose Coupling	94,00					
147	1	1 616 P88 050	Corrugated Pipe	871,00					
148	1	1 616 P88 051	Hose Coupling	82,00					
151	1	1 616 P88 052	Backing Pad	1.354,00					
152	1	1 616 P88 053	Intermediate Layer	983,00					
154	1	1 616 P88 055	Socket head cap screw	30,00					
155	1	1 607 000 057	Handle Bar	2.354,00					
161	1	1 616 P88 053	Nameplate 230V						
162	1	1 616 P88 056	Manufacturers nameplate						
201	1	1 616 P88 075	Hexagon Socket Bolts	94,00					
605	1	1 607 000 053	Rubber Backing Pad	2.047,00					
606	1	1 616 P88 056	Backing Pad	1.097,00					
607	3	1 616 P88 058	Clip	80,00					
608	1	1 607 000 F26	Vacuum Adapter						
609/1	2	1 616 P88 059	Latch	128,00					

Please observe: Repairing, modifying and testing of electric tools are to be performed professionally. The safety regulations according to IEC 611, VDE, AFNOR and other regulations of the individual countries are to be observed. Subject to change.

The price list supersedes all previous editions. Prices are subjected to change without any prior notice.



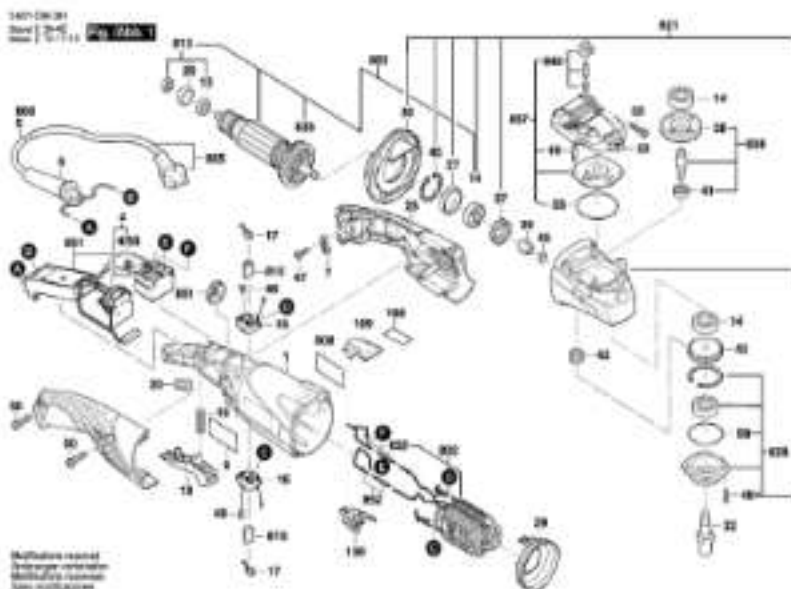
1 / 1

Model: 3 601 C42 0F0 = 230

Item	Pc	Order no.	Description	LF in EUR	Item	Pc	Order no.	Description	LF in EUR
4	1	3 610 PB1 744	Switch	340,00	656	1	3 610 PB1 354	Supporting Disc	340,00
5	1	3 610 450 737	Power supply cord		657	1	3 610 PB1 355	Polishing Sponge	215,00
6	1	3 610 PB1 745	Grommet	42,00	658	2	3 610 PB1 357	Assembly Wrench	87,00
7	1	3 610 PB1 747	Fastening Clamps	42,00	659	1	3 610 PB1 358	Housing Assembly	677,00
8	1	3 610 PB1 748	Manufacturers nameplate		660	1	3 610 PB1 359	Field	334,00
12	2	3 610 PB1 751	Ball Bearing	31,00	661	1	3 610 PB1 370	Armature	1.444,00
17	2	3 610 PB1 753	Brush-Cover	40,00	662	1	3 610 PB2 334	Nameplate	
24	1	3 610 PB1 755	Seal	42,00	663	1	3 610 PB1 371	Carbon-Brush Set	149,00
25	1	3 610 PB1 757	Retaining ring	42,00	664	1	3 610 PB1 372	Bearing cover	352,00
33	1	3 610 PB1 754	Gear	348,00	665	1	3 610 PB1 373	Gear Housing	1.050,00
34	1	3 610 PB1 756	Grinding Spindle	170,00	666	1	3 610 PB1 374	Auxiliary Handle	238,00
35	1	3 610 PB1 758	Key	42,00					
36	4	3 610 PB1 770	Tapping Screws	42,00					
40	1	3 610 PB1 771	O-Ring	42,00					
42	1	3 610 PB1 774	Air-Deflector Ring	87,00					
44	2	3 610 PB1 775	Tapping Screws	42,00					
46	1	3 610 233 352	Speed governor	1.710,00					
47	1	3 610 PB1 776	Housing Cover	433,00					
48	7	3 610 PB1 779	Tapping Screws	42,00					
54	1	3 610 PB1 352	Mounting Bracket	42,00					
55	1	3 610 PB1 353	Intermediate Ring	43,00					
601	1	3 610 PB1 347	Guard Plate	42,00					
604	1	3 610 PB1 350	Adapter Insert	185,00					
605	1	3 610 PB1 351	Adapter Insert	185,00					

Please observe: Repairing, modifying and testing of electro-tools are to be performed professionally. The safety regulations according to IEC 61110, IEC 61014 and other regulations of the individual countries are to be observed. Subject to change.

The price list supersedes all previous editions. Prices are subject to change without any prior notice.



1 / 2

Model: 3 601 C85 0K3 = 230

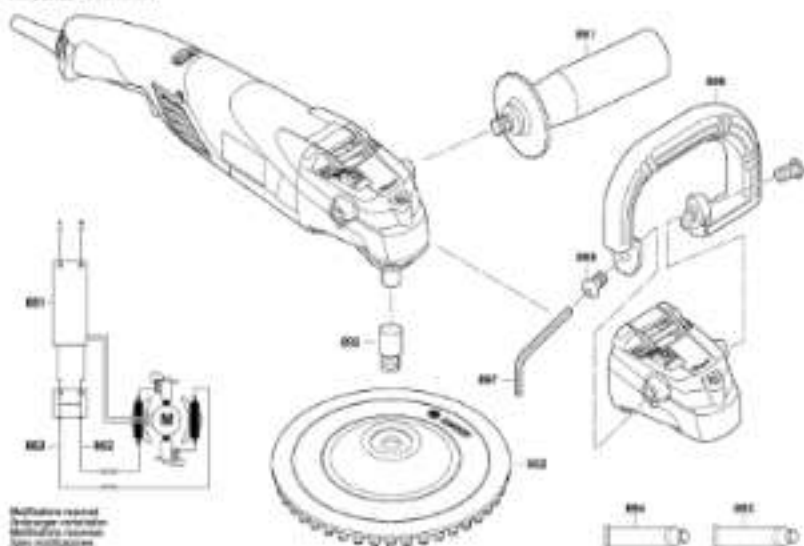
Item	Pc	Order no.	Description	LF in EUR	Item	Pc	Order no.	Description	LF in EUR
1	1	1 605 103 205	Motor Housing - BLUE	487,00	40	1	1 605 119 211	Retaining clip	30,00
4	1	1 607 303 257	Switch Assembly	423,00	41	1	1 610 P08 020	groove ball bearing	217,00
405	2	1 603 410 034	Lens Head Screw	31,00	42	1	1 610 P07 012	Cylindrical Gear	212,00
5	1	1 610 P14 542	Grommet Ø 2,6MM	173,00	43	1	1 610 P07 011	Cylindrical Gear	245,00
7	1	2 601 035 001	Cable Clip	45,00	45	1	1 605 300 010	Hex Nut M7, 8W/10	50,00
9	1	1 610 P07 001	Manufacturer's nameplate		47	2	1 610 P08 000	Screw	31,00
13	1	1 600 605 030	Ball Bearing 7X15X5	160,00	48	2	2 612 431 005	Tapping Screw	30,00
14	3	1 600 608 032	groove ball bearing 6X22X7	39,00	49	6	1 610 P08 025	Thread-forming tap, Sorens	31,00
16	2	1 601 323 023	Brush Holder WITH	108,00	60	3	1 610 P08 100	Torx Over-Head Screw	31,00
17	2	1 604 852 013	Spiral Spring	40,00	63	4	1 610 P01 065	Torx Over-Head Screw	31,00
18	1	1 602 319 034	Adjusting Slice	74,00	65	1	1 610 P07 015	O-Ring 23,00x1,1 MM	31,00
19	1	1 604 811 041	Compression Spring	63,00	103	1	1 605 600 038	Cover BLACK	30,00
20	1	1 604 811 039	Compression Spring	45,00	109	1	1 605 500 025	Cover BLACK	34,00
22	1	1 610 P07 007	plastic covering	75,00	302	1	1 604 220 417	Field 220-240V	1 039,00
25	1	1 600 401 10J	Handle	620,00	303	1	1 610 P08 116	Armature With Fan	2 052,00
26	1	1 600 208 036	Rubber Ring	48,00	305	1	1 607 000 351	Power supply cord	2 834,00
27	1	1 600 208 035	Rubber Ring	29,00	306	1	1 610 P07 021	Nameplate	
29	1	1 600 501 025	Air-Deflector Ring	75,00	310	1	1 607 014 175	Carbon-Brush Set	244,00
30	1	1 600 501 014	Air-Deflector Ring	75,00	313	1	1 607 006 379	Part Set	232,00
32	1	1 610 P07 008	Grinding Spindle	280,00	321	1	1 610 P08 078	Gear Housing	1 142,00
33	1	1 600 210 036	O-Ring 46 OX, 1 MM	63,00	323	1	1 610 P04 081	Bearing Flange	519,00
37	1	1 600 000 018	Rotary shaft lip seal	94,00	330	1	1 605 810 132	Fan	152,00
38	1	1 610 P07 013	Crown Gear	304,00	333	1	1 610 P08 030	Crown Gear	240,00
39	1	1 610 P07 014	Bevel Gear	277,00	340	1	1 610 P08 032	push button set	50,00

Please observe: Repairing, modifying and testing of electric tools are to be performed professionally. The safety regulations according to IEC, EN, VDE, AFNOR and other regulations of the individual countries are to be observed. Subject to change.

The price list supersedes all previous editions. Prices are subject to change without any prior notice.

1 619 92A7
 1 619 92A8

Fig. 1666.1


 Modifications required
 (where applicable)
 Modifications required
 from modifications

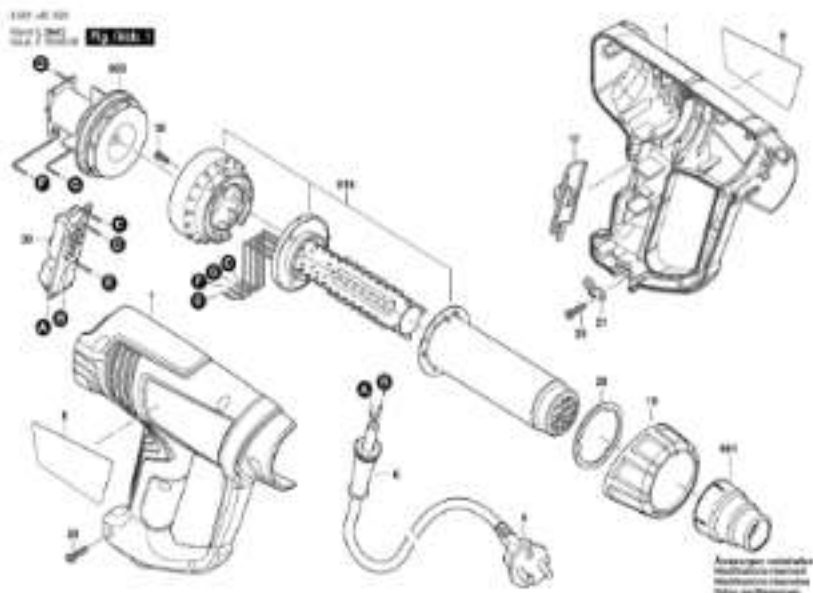
2 / 3

Model: 3 601 C85 0K3 - 230

Item	Pc	Order no.	Description	LF in EUR	Item	Pc	Order no.	Description	LF in EUR
161	1	1 619 233 216	Speed governor	3,624,00					
162	1	1 614 443 026	Connecting Cable	34,00					
167	1	1 616 P03 076	Gear Cover	592,00					
160	1	1 616 P07 983	Handle	368,00					
161	1	1 612 025 091	Auxiliary Handle	113,00					
162	1	1 608 430 000	Grease Tube 225 ML	1,633,00					
164	1	1 615 430 000	Grease Tube 225 ML	1,610,00					
165	1	1 616 P07 014	Socket-Outlet Adaptor	130,00					
167	1	1 616 P07 012	Hex Screw Driver	34,00					
168	1	1 616 P07 011	Hex Screw	81,00					

Please observe: Repairing, modifying and testing of electric tools are to be performed professionally. The safety regulations according to IEC, EN, VDE, AFNOR and other regulations of the individual countries are to be observed. Subject to change.

The price list supersedes all previous editions. Prices are subjected to change without any prior notice.



1 / 1

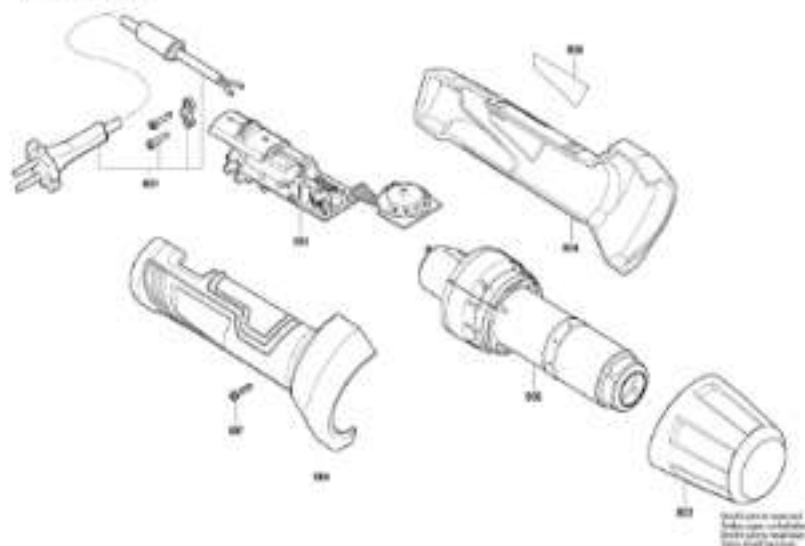
Model: 3 601 J4D 0F0 = 230

Item	Pc	Order no.	Description	LP in EUR	Item	Pc	Order no.	Description	LP in EUR
1	1	1 616 P62 408	Housing Set	463,00					
5	1	1 616 P65 390	Power supply cord						
8	1	1 616 P62 792	Grommet	31,00					
9	1	1 616 P62 794	Nameplate						
9	1	1 616 P62 795	Manufacturer's nameplate						
10	1	1 616 P62 411	Protective Tube	100,00					
17	1	1 616 P62 412	Switch Slide	66,00					
18	3	1 616 P62 796	Pan head screw	94,00					
20	7	1 616 P62 800	Pan head screw	84,00					
21	1	1 616 P62 801	Fastening Clamp	91,00					
25	1	1 616 P62 807	Locating ring	94,00					
33	1	1 616 P62 834	Switch Kit	287,00					
35	1	1 616 P62 821	Hot air nozzle	215,00					
303	1	1 616 P62 798	Motor	708,00					
318	1	1 616 P62 799	Heating Element	682,00					

Please observe: Repairing, modifying and testing of electric tools are to be performed professionally. The safety regulations according to IEC, EN, VDE, AFNOR and other regulations of the individual countries are to be observed. Subject to change.

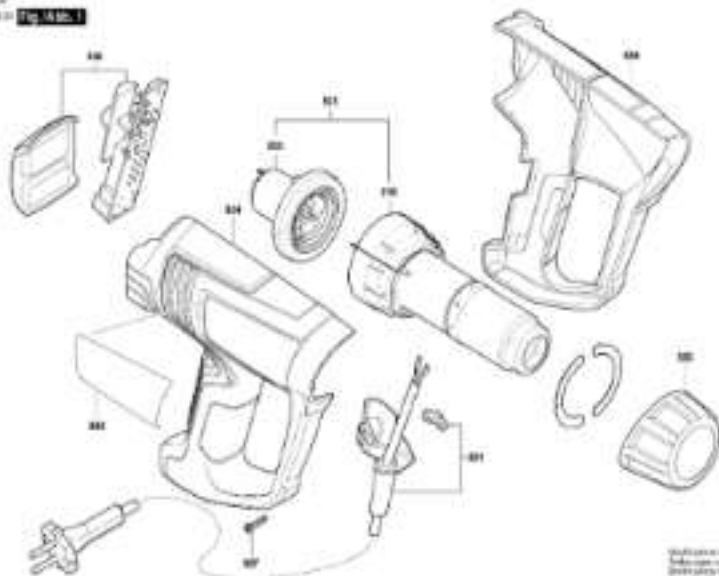
The price list supersedes all previous editions. Prices are subjected to change without any prior notice.

3 601 B&E 400
0001111111 **Fig. 1 A/B/C**



1 / 1

Model: 3 601 B&E 400 - 230									
Item	Pc	Order no.	Description	LP in EUR	Item	Pc	Order no.	Description	LP in EUR
301	1	1 607 000 010	Power supply cord	1,440,00					
303	1	1 607 000 015	Protective Tube	450,00					
304	1	1 607 000 029	Housing	1,401,00					
305	1	1 607 000 004	Heating Element	2,130,00					
306	1	1 607 000 030	Printed Circuit Board	2,187,00					
307	1	1 607 000 023	Screw	48,00					
308	1	1 607 000 045	Nameplate						

1 609 920 J02
GHG 20-ES | Fig. 14.06.1

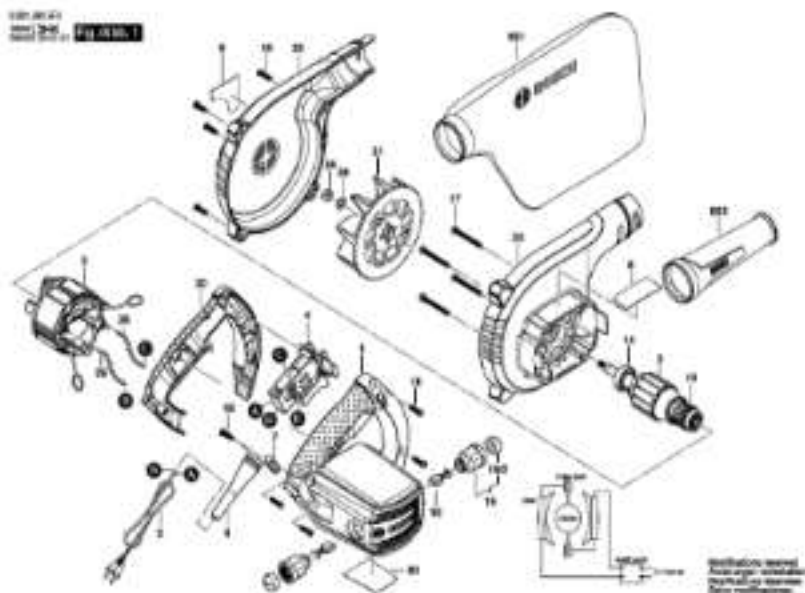
Verwenden Sie nur
Ersatzteile, die vom Hersteller
empfohlen sind.

1 / 1

Model: 3 601 B&G 2K0 = 230

Item	Pc	Order no.	Description	LF in EUR	Item	Pc	Order no.	Description	LF in EUR
001	1	1 607 000 0100	Power supply cord	1,440,00					
003	1	1 607 000 004	Protective Tube	343,00					
004	1	1 607 000 000	Housing	1,387,00					
005	1	1 607 000 010	Motor	2,027,00					
006	1	1 607 000 000	Printed Circuit Board	3,702,00					
007	1	1 607 000 0101	Screw	31,00					
008	1	1 607 000 043	Nameplate						
009	1	1 600 401 104	Motor	842,00					
010	1	1 600 401 100	Heating Element	2,011,00					

3 601 J80 5F0
 3 601 J80 5F0

EXPLOSION VIEW


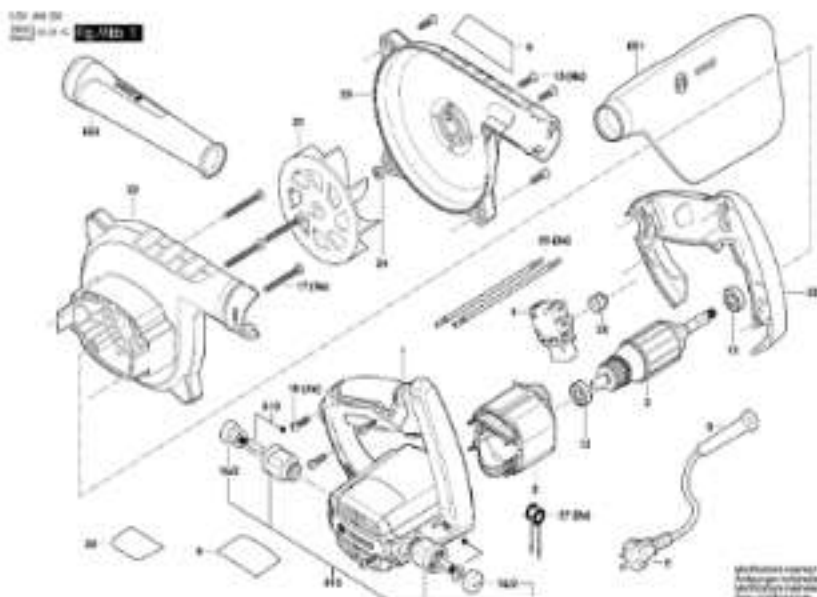
1 / 1

Model: 3 601 J80 5F0 = 236

Item	Pc	Order no.	Description	LF in EUR	Item	Pc	Order no.	Description	LF in EUR
1	1	1 602 102 200	Motor Housing	231,00	20	1	1 601 119 100	Warning Plate	
2	1	1 604 220 951	Field	738,00	650	1	1 605 190 205	Nozzle	414,00
3	1	1 604 210 892	Armature	043,00	651	1	1 602 411 024	Dust Bag	302,00
4	1	2 607 200 637	On-Off Switch	261,00					
5	1	1 604 400 234	Power supply cord EU	725,00					
6	1	F 002 030 101	Power supply cord IND	178,00					
9	1	3 600 703 017	Grommet 26 A-B7 2X75	74,00					
7	1	2 601 038 201	Cable Clip	48,00					
8	1	1 601 118 001	Nameplate						
9	1	1 601 110 244	Label GBL 620						
10	1	1 604 321 128	Carbon Brush	121,00					
12	1	1 600 805 016	Ball Bearing TK22X7	80,00					
14	1	1 600 805 025	Ball Bearing 5X25X5	62,00					
16	2	1 600 400 187	Brush Holder	144,00					
16G	2	F 002 031 056	Insulating Cap	31,00					
17	4	2 914 201 712	Screw 4X42MM	32,00					
18	10	F 002 031 028	Screw	32,00					
20	1	1 605 132 154	Handle	34,00					
21	1	1 602 610 181	Fan	110,00					
22	1	1 600 400 159	Fan Housing	220,00					
23	1	1 600 400 16P	Fan Cover	161,00					
24	1	1 613 300 008	Hex Nut M6	32,00					
26	2	1 600 400 072	Connecting Cable	67,00					
28	1	1 600 100 036	Cover Disc	78,00					

Please observe: Repairing, modifying and testing of electric tools are to be performed professionally. The safety regulations according to IEC, EN, VDE, AFNOR and other regulations of the individual countries are to be observed. Subject to change.

The price list supersedes all previous editions. Prices are subject to change without any prior notice.



1 / 1

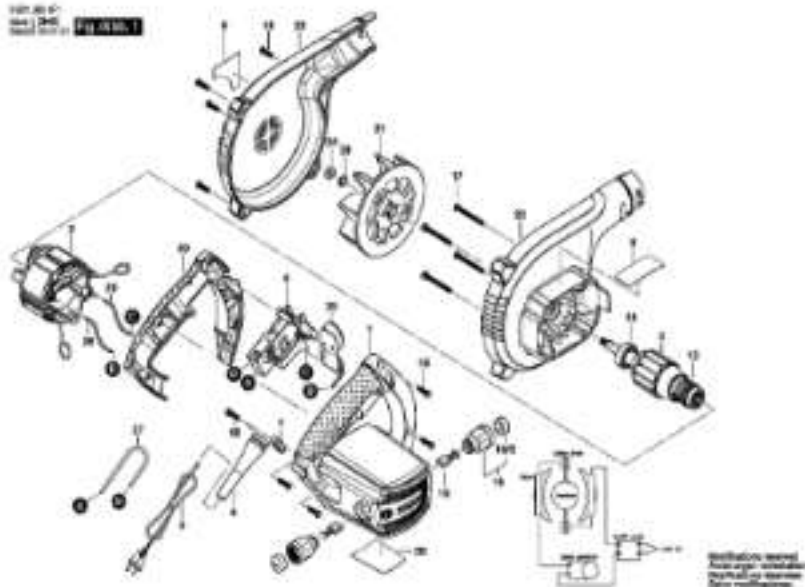
Model: 3 601 JMA 0F0 = 230

Item	Pc	Order no.	Description	LF in EUR	Item	Pc	Order no.	Description	LF in EUR
1	1	1 602 102 210	Motor Housing	163,00	318	1	1 607 000 F80	Brush Holder	30,00
2	1	1 604 220 580	Fan	483,00					
3	1	1 604 010 603	Armature	312,00					
4	1	1 607 200 360	Switch	183,00					
5	1	1 604 400 73F	Power supply cord (NO)	302,00					
6	1	0 602 703 017	Grommet OE 4-Ø7 2x75	74,00					
8	1	1 601 110 67F	Nameplate						
9	1	1 601 110 930	Label GBL 650						
13	2	1 616 908 034	Ball Bearing	41,00					
16/2	2	F 002 901 056	Insulating Cap	31,00					
17	4	2 914 201 712	Screw 4x4x0,8M	30,00					
18	8	F 002 901 026	Screw	30,00					
20	1	1 602 132 14J	Handle	73,00					
21	1	1 608 610 19V	Fan	77,00					
22	1	1 602 402 U07	Fan Housing	177,00					
23	1	1 602 402 U0J	Fan Cover	123,00					
24	1	1 613 300 028	Hex Nut M6	30,00					
25	2	1 602 402 U96	Connecting Cable	26,00					
27	2	1 602 402 U97	Spring Switching Hook	22,00					
28	1	1 616 908 033	Protecting Cover	34,00					
30	1	1 601 114 884	Nameplate						
600	1	1 602 190 226	Nozzle	414,00					
601	1	1 602 411 034	Dust Bag	603,00					
610	1	1 607 600 F58	Carbon-Brush Set	103,00					

Please observe: Repairing, modifying and testing of electric tools are to be performed professionally. The safety regulations according to IEC, EN, VDE, AFNOR and other regulations of the individual countries are to be observed. Subject to change.

The price list supersedes all previous editions. Prices are subjected to change without any prior notice.

1 601 929 J01 | 1 601 929 J01



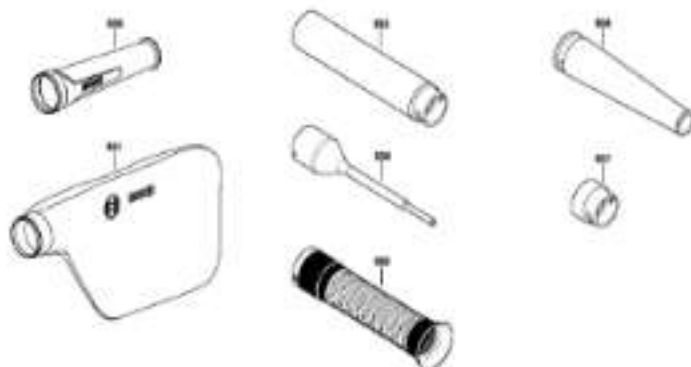
1 / 2

Model: 3 601 J60 4K5 = 230

Item	Pc	Order no.	Description	LF in EUR	Item	Pc	Order no.	Description	LF in EUR
1	1	1 601 103 026	Motor Housing	274,00	26	1	1 601 100 036	Cover Disc	78,00
2	1	1 604 220 439	Field 220-240V	627,00	30	1	1 601 118 169	Warning Plate	
3	1	1 604 210 812	Armature 220V	789,00	600	1	1 605 190 060	Nozzle	414,00
4	1	1 607 200 637	On-Off Switch	261,00	661	1	1 605 411 034	Dust Bag	600,00
5	1	1 604 400 204	Power supply cord EU	725,00	663	1	1 610 PA0 060	Extension Tube	226,00
6	1	1 602 703 017	Grommet Ø6.4-Ø7.2x7.6	74,00	664	1	1 610 PA0 060	Nozzle	224,00
7	1	1 601 026 001	Carbon Chip	48,00	665	1	1 610 PA0 220	Flexible Connection	400,00
8	1	1 601 114 610	Nameplate		666	1	1 610 PA0 067	Nozzle	224,00
9	1	1 601 110 011	Label GBL 62-270		667	1	1 600 601 060	Adapter	144,00
10	1	1 604 321 126	Carbon Brush	121,00					
12	1	1 600 808 016	Ball Bearing 7x22x7	80,00					
14	1	1 600 808 026	Ball Bearing 5x26x2	80,00					
16	1	1 600 400 187	Brush Holder	144,00					
16a	1	1 600 901 066	Insulating Cap	31,00					
17	4	1 614 301 712	Screw 4x4x2MM	30,00					
18	10	1 602 601 026	Scraps	30,00					
20	1	1 600 102 160	Handle	140,00					
21	1	1 600 610 180	Fan	140,00					
22	1	1 600 400 186	Fan Housing	220,00					
23	1	1 600 400 16P	Fan Cover	161,00					
24	1	1 613 300 006	Hex Nut M6	30,00					
26	1	1 607 220 660	Controller	602,00					
28	1	1 600 400 072	Connecting Cable	67,00					
27	1	1 604 413 006	Connecting Cable	48,00					

Please observe: Repairing, modifying and testing of electric tools are to be performed by a professional. The safety regulations according to IEC, EN, VDE, AFNOR and other regulations of the individual countries are to be observed. Subject to change.

The price list supersedes all previous editions. Prices are subjected to change without any prior notice.

VAN DE GR...
 www.vandegr...


Aankomende artikelen
 worden niet geleverd
 indien de artikelen
 niet beschikbaar zijn.

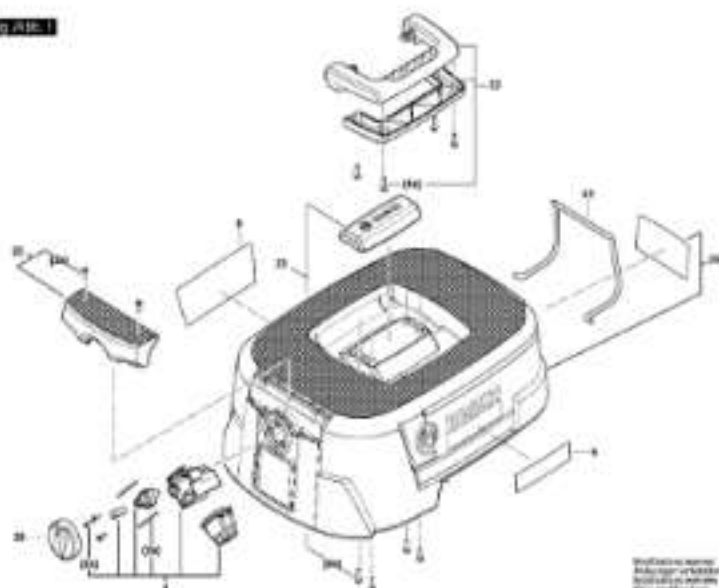
2 / 3

Model: 3 601 J80 4K5 = 230

Item	Pc	Order no.	Description	LF in INR	Item	Pc	Order no.	Description	LF in INR

Please observe: Repairing, installing and testing of electric tools are to be performed professionally. The safety regulations according to IEC, EN, VDE, AFNOR and other regulations of the individual countries are to be observed. Subject to change.
 The price list supersedes all previous editions. Prices are subjected to change without any prior notice.

3 601 J7C 0F0
3 601 J7C 0F0 | **BO**



Werkzeuge werden
Abbildung nicht
enthalten
Bitte lesen Sie die
Bedienungsanleitung

1 / 5

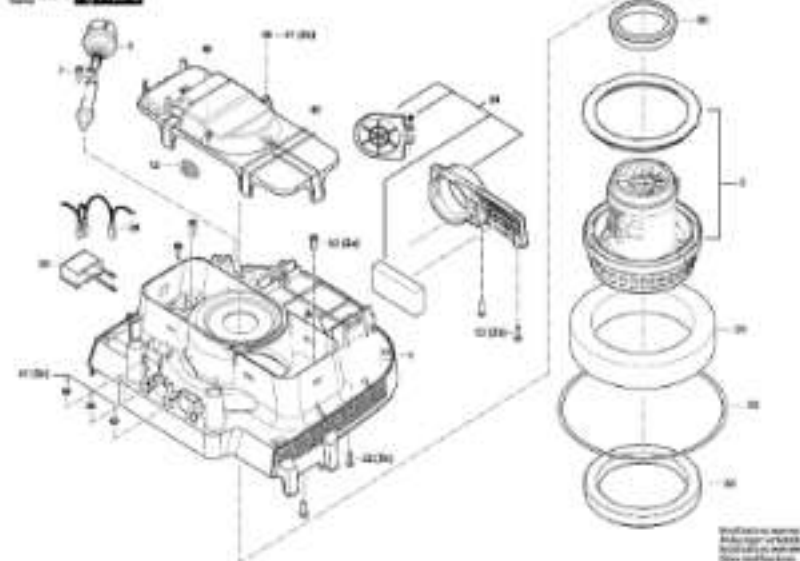
Model: 3 601 J7C 0F0 = 230

Item	Pc	Order no.	Description	LF in EUR	Item	Pc	Order no.	Description	LF in EUR
1	1	1 619 P63 211	Motor Housing	385,00	36	2	1 619 P63 270	Caster Wheel	740,00
2	1	1 619 P63 212	Motor	345,00	38	2	1 619 P63 271	Wheel	1.350,00
4	1	1 619 P47 259	Switch Kit	320,00	37	2	1 619 P63 272	Latch	307,00
5	1	1 619 P65 205	Power supply cord		38	1	1 619 P63 273	Caple	157,00
6	1	1 619 P63 215	Power supply cord	605,00	39	1	1 619 P47 308	Valve	142,00
7	1	1 619 P47 304	Clamping Piece	34,00	40	1	1 619 P63 274	Cover	151,00
8	1	1 619 P63 229	Nameplate		41	1	1 619 P63 275	Clamping Ring	35,00
9	1	1 619 P63 230	Nameplate		42	1	1 619 P63 276	Mounting Bracket	250,00
9	1	1 619 P63 240	Nameplate GAS 13 25		43	1	1 619 P63 277	Housing	1.114,00
10	1	1 619 P63 261	Inductor	420,00	44	1	1 619 P63 278	Seal	144,00
22	1	1 619 P47 288	Handle	170,00	44	1	1 619 P47 310	Filter holder	229,00
23	1	1 619 P47 289	Cover	194,00	46	1	1 619 P63 279	Seal	154,00
24	1	1 619 P63 285	Hood	1.545,00	45	1	1 619 P63 280	Seal	144,00
24	1	1 619 P47 299	Cover	39,00	47	1	1 619 P63 281	Filter Bracket	350,00
26	1	1 619 P47 290	Cover	194,00	48	1	1 619 P63 282	Filter	1.207,00
28	1	1 619 P47 291	Rotary Knob	65,00	49	1	1 619 P47 312	Filter holder	229,00
30	1	1 619 P63 284	Capacitor	400,00	50	1	1 619 P63 283	Filter	1.245,00
30	1	1 619 P63 285	Cushion	440,00	51	1	1 619 P63 284	Filter	238,00
31	1	1 619 P63 286	Sponge	119,00	52	18	1 619 P63 285	Tapping Screw	30,00
32	1	1 619 P63 287	Seal	144,00	53	1	1 619 P63 286	Roof	250,00
33	1	1 619 P47 304	Clamping Piece	34,00	34)	1	1 619 P00 025	Container	1.790,00
33	1	1 619 P63 288	Seal	304,00	430)	1	1 619 P00 022	Housing	1.080,00
34	1	1 619 P63 289	Container	2.231,00	448)	1	1 619 P00 023	Seal	144,00
35	1	1 619 P47 305	Valve	142,00	500)	1	1 600 400 5102	Filter	1.440,00

Please observe: Repeating, modifying and leasing of electro tools are to be performed professionally. The safety regulations according to IEC, EN, VDE, AFNOR and other regulations of the individual countries are to be observed. Subject to change.

The price list supersedes all previous editions. Prices are subjected to change without any prior notice.

3 601 J7C 0F0
3 601 J7C 0F0 | BO



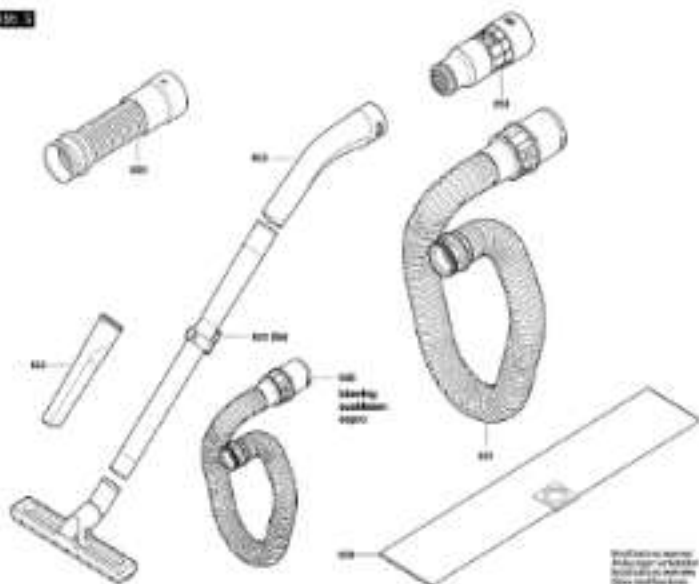
2 / 6

Model: 3 601 J7C 0F0 = 230

Item	Pc	Order no.	Description	LF in EUR	Item	Pc	Order no.	Description	LF in EUR
951	1	1 616 P62 324	Hose vacuuming	1.361,00					
952	1	1 616 P47 325	Suction Pipe	100,00					
953	1	1 616 P47 324	Suction Pipe	942,00					
954	1	1 616 P47 327	floor nozzle	463,00					
955	1	1 616 P47 333	Grease Nozzle	136,00					
957	1	1 616 P63 607	Dust Bag	314,00					
958	1	1 600 A03 043	Adapter						
959	1	1 616 P64 791	Dust Bag	281,00					
960	1	1 616 P64 790	Hose	1.022,00					
966	1	1 617 000 603	Hose Blowing out	1.282,00					
942	1	1 616 P00 026	Housing	4.212,00					

Please observe: Repairing, modifying and testing of electric tools are to be performed professionally. The safety regulations according to IEC, EN, VDE, AFNOR and other regulations of the individual countries are to be observed. Subject to change.

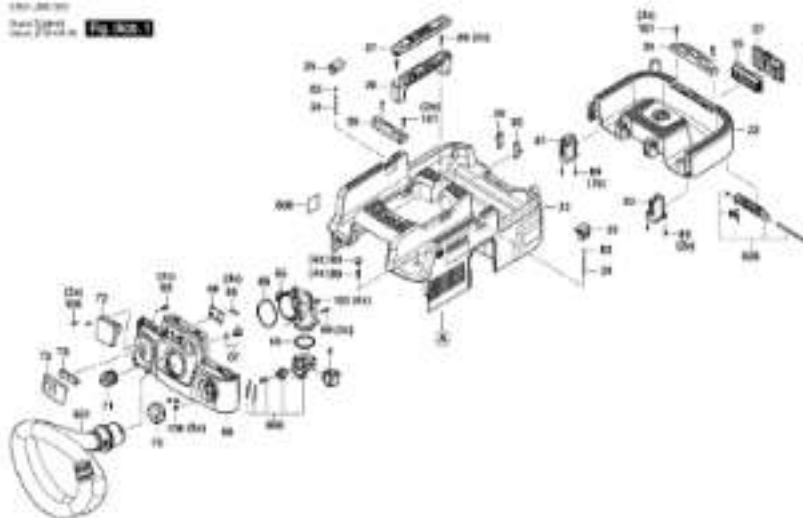
The price list supersedes all previous editions. Prices are subjected to change without any prior notice.

3 601 J7C 0F0
 Bosch Power Tools | **Fig. 230.3**


5 / 5

Model: 3 601 J7C 0F0 = 230

Item	Pic.	Order no.	Description	LF in EUR	Item	Pic.	Order no.	Description	LF in EUR

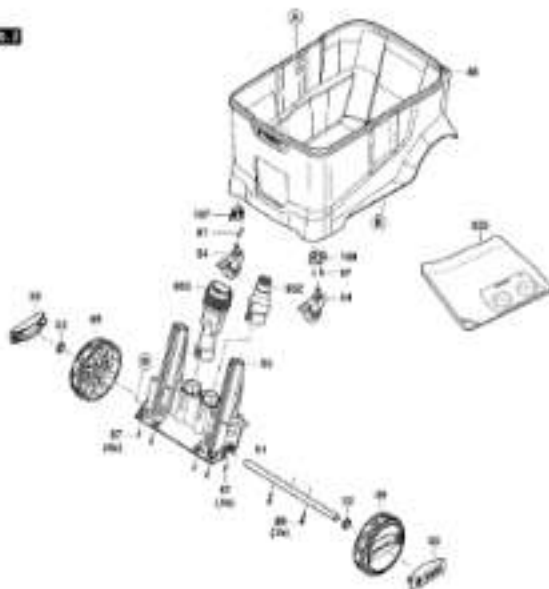
1 601 JMO 0F0
 Bosch Power Tools

 Anzeigen unterhalb
 des Bildes sind
 nicht maßstabes-
 treu

1 / 3

Model: 3 601 JMO 0F0										
Item	Pc	Order no.	Description	LF in EUR	Item	Pc	Order no.	Description	LF in EUR	
1	1	1 610 PC1 210	Housing	3,010,00	42	1	1 610 PC1 230	Housing	140,00	
2	1	1 610 PC1 215	Motor	3,320,00	43	1	1 610 PC1 240	Valve Body	215,00	
3	1	1 600 A02 R24	Main Switch	510,00	44	1	1 610 PC1 241	Spring	40,00	
4	1	1 610 PC2 000	Power supply cord		45	1	1 610 PC1 242	Sealing Rubber	30,00	
5	1	1 610 PC1 215	Station	440,00	46	1	1 610 PC1 243	Housing	107,00	
22	1	1 600 A02 T24	Electronic Board	2,740,00	47	1	1 610 PC1 244	Valve Body	324,00	
23	1	1 610 PC1 220	Upper Housing	2,500,00	48	1	1 610 PC1 245	Dust container	4,305,00	
24	2	1 610 PC1 221	Cord	100,00	49	2	1 610 PC1 247	Wheel	520,00	
25	2	1 610 PC1 222	Clip	30,00	50	2	1 610 PC1 248	Cover	107,00	
26	1	1 610 PC1 223	Interface	110,00	51	1	1 610 PC1 249	Shaft	515,00	
27	1	1 610 PC1 224	Handle	60,00	52	2	1 610 PC1 250	Clip	40,00	
28	1	1 610 PC1 225	Handle	191,00	54	2	1 610 PC1 252	Wheel	200,00	
29	1	1 610 PC1 226	Station	20,00	55	1	1 610 PC1 253	Holder	270,00	
30	1	1 610 PC1 227	Station	20,00	57	1	1 610 PC1 255	Sealing Rubber	160,00	
31	1	1 610 PC1 228	Filter	1,280,00	58	1	1 610 PC1 256	Rubber	140,00	
32	1	1 610 PC1 229	Housing	300,00	59	1	1 610 PC1 257	Rubber	140,00	
33	1	1 610 PC1 230	Cover	1,110,00	60	1	1 610 PC1 258	Rubber	240,00	
34	1	1 610 PC1 231	Interface	30,00	61	1	1 610 PC1 259	Rubber	50,00	
35	1	1 610 PC1 232	APC filter	207,00	62	1	1 610 PC1 260	Rubber	100,00	
37	1	1 610 PC1 234	Filter holder	70,00	63	1	1 610 PC1 261	Inlet Cover	1,244,00	
38	2	1 610 PC1 236	Rubber	30,00	65	1	1 610 PC1 263	Tube	100,00	
39	2	1 610 PC1 238	Rubber	120,00	66	1	1 610 PC1 264	Operator Panel	300,00	
40	1	1 610 PC1 237	Electromagnet	2,300,00	67	1	1 610 PC1 265	Electronic Board	300,00	
41	1	1 610 PC1 236	Rubber	20,00	68	1	1 610 PC1 266	Electronic Board	310,00	

Please observe! Repairing, modifying and testing of electro-tools are to be performed professionally. The safety regulations according to IEC 611, VDE, AFNOR and other regulations of the individual countries are to be observed. Subject to change.

The price list supersedes all previous editions. Prices are subjected to change without any prior notice.

1 601 JMO 0F0
 Bosch Power Tools

 Anzeigen enthalten
 nicht montierte
 Ersatzteile

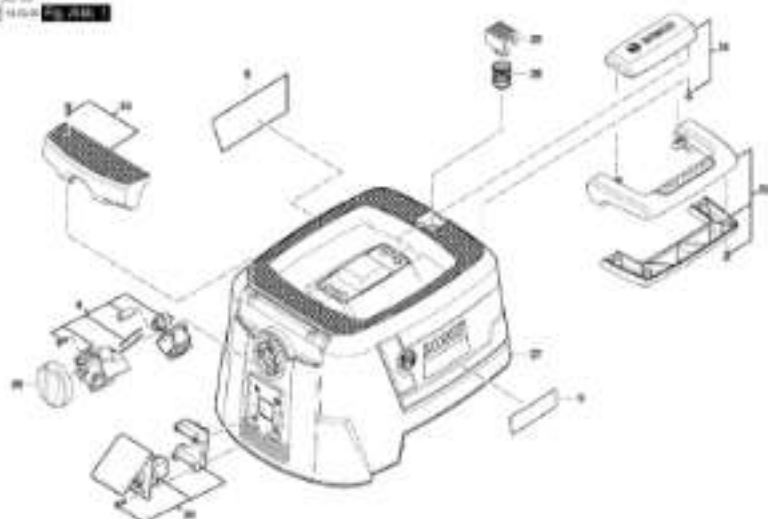
2 / 3

Model: 3 601 JMO 0F0										
Item	Pc	Order no.	Description	LF in EUR	Item	Pc	Order no.	Description	LF in EUR	
70	1	1 616 PC1 269	Switch Cover	46,00	54	1	1 616 PC2 143	Foam Plastics	33,00	
71	1	1 616 PC1 270	Switch Cover	33,00	55	1	1 616 PC2 144	Foam Plastics		
72	1	1 616 PC2 259	Socket	650,00	56	1	1 616 PC2 145	Foam Plastics	110,00	
73	1	1 616 PC1 277	Slider		57	1	1 616 PC2 253	Slider		
74	1	1 616 PC1 279	Cover	981,00	101	22	1 616 PC2 254	Screw	40,00	
75	1	1 616 PC1 278	Cover	222,00	102	3	1 616 PC2 255	Screw	25,00	
76	1	1 616 PC1 280	Hall Sensor	491,00	103	4	1 616 PC2 256	Screw	25,00	
77	1	1 616 PC1 282	Tube	157,00	104	5	1 616 PC2 257	Screw	25,00	
78	1	1 616 PC1 283	Valve Body	307,00	105	1	1 616 PC2 258	Screw	25,00	
79	1	1 616 PC1 285	Rubber	474,00	106	12	1 616 PC2 259	Screw	25,00	
80	4	1 616 PC1 286	Cover	62,00	107	1	1 616 PC2 260	Plate	45,00	
81	1	1 616 PC1 287	Holder	22,00	108	1	1 616 PC2 261	Plate	45,00	
82	1	1 616 PC1 288	Holder	21,00	110	2	1 616 PC2 151	Screw		
83	2	1 616 PC1 289	Clip	22,00	681	1	1 616 PC1 525	Hose	1 541,00	
84	3	1 616 PC1 290	Rubber Pad	45,00	682	1	1 616 PC1 530	Adapter	213,00	
85	1	1 616 PC1 291	Rubber	31,00	683	1	1 616 PC1 531	Nozzle	213,00	
86	1	1 616 PC1 293	Rubber	31,00	684	2	1 616 PC1 533	Dual Bag		
87	14	1 616 PC1 294	Screw	30,00	808	1	1 616 PC2 267	Nameplate		
88	2	1 616 PC2 137	Screw	22,00	830	1	1 616 PC1 233	Latch	25,00	
89	40	1 616 PC2 138	Screw	470,00	885	2	1 616 PC1 254	Latch	100,00	
90	2	1 616 PC2 139	Screw	55,00	904	1	1 616 PC1 252	Foat	25,00	
91	1	1 616 PC2 140	Foam Plastics	54,00	889	1	1 616 PC1 255	Switch Assembly	150,00	
92	1	1 616 PC2 141	Foam Plastics	91,00						
93	1	1 616 PC2 142	Foam Plastics	40,00						

Please observe: Repairing, modifying and testing of electro-tools are to be performed professionally. The safety regulations according to IEC, EN, VDE, AFNOR and other regulations of the individual countries are to be observed. Subject to change.

The price list supersedes all previous editions. Prices are subject to change without any prior notice.

1 619 A2 00
000 14 00 00 **EXP. 2016**



Werkzeuge werden
Abgabe- und
Abgabe- und
Abgabe- und

1 / 5

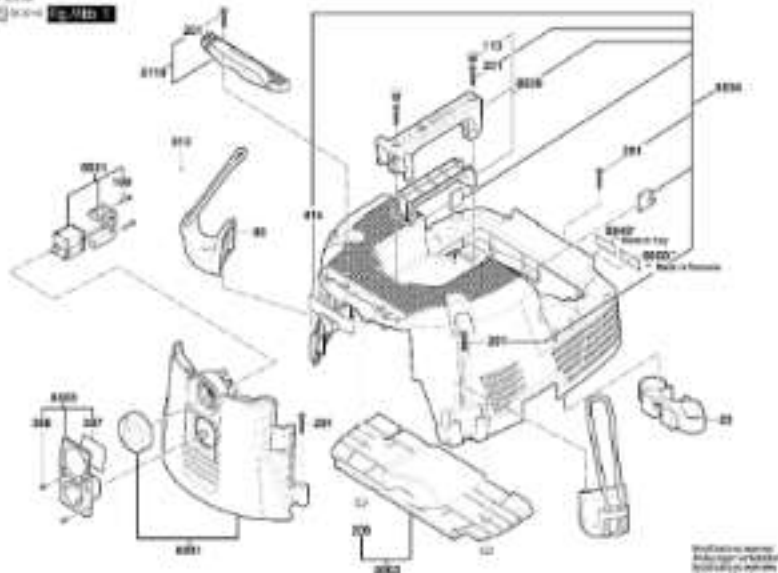
Model: 3 601 JES 1F0 = 250

Item	Pc	Order no.	Description	LF in EUR	Item	Pc	Order no.	Description	LF in EUR
4	1	1 602 301 208	Switch Kit	60,00	46	2	1 619 PAT 218	Leach	200,00
5	1	1 619 P65 035	Power supply cord		46	2	1 619 PAT 319	Caster Wheel	100,00
6	1	1 619 P65 037	Nameplate		47	2	1 619 PAT 320	Caster Wheel	227,00
9	1	1 619 P62 133	Manufacturer's nameplate		48	1	1 619 PAT 321	Container	1 250,00
21	1	1 619 P47 259	Handle	170,00	50	1	1 619 PAT 416	Filter Bracket	260,00
22	1	1 619 P47 267	Cover	144,00	61	1	1 619 P43 370	Filter bag	200,00
34	1	1 619 P47 269	Cover	33,00	662	1	1 619 PAT 325	Suction Pipe	100,00
35	1	1 619 P47 270	Button	33,00	663	2	1 619 PAT 324	Suction Pipe	840,00
36	1	1 619 P47 271	Compression Spring	33,00	664	1	1 619 PAT 327	Floor nozzle	400,00
37	1	1 619 P47 280	Hood	1 247,00	665	1	1 619 PAT 328	Crevice Nozzle	135,00
38	1	1 619 P47 290	Rotary Knob	63,00	666	1	1 619 PAT 329	Filter	140,00
39	1	1 619 P65 034	Socket		667	1	1 619 PAT 330	Dust Ring	60,00
31	1	1 602 401 210	Electronics Module	1 885,00	668	1	1 602 403 062	Adapter	
32	1	1 619 P47 201	Seal	94,00	669	1	1 607 000 803	Hose Blowing out	1 200,00
33	1	1 619 P47 304	Clamping Piece	34,00	810	1	1 619 PAT 346	Carbon-Brush Set	370,00
34	1	1 619 P47 305	Connecting Pad	37,00					
35	1	1 619 P47 306	Valve	142,00					
36	1	1 619 P47 307	Motor Housing	979,00					
37	1	1 619 P47 210	Motor	2 759,00					
38	1	1 619 P47 211	Seal Kit	235,00					
40	1	1 619 P47 312	Seal	37,00					
41	1	1 619 P47 213	Housing	707,00					
42	1	1 619 P47 214	Seal Ring	113,00					
44	1	1 619 P47 315	Filter holder	228,00					

Please observe: Repairing, modifying and testing of electric tools are to be performed professionally. The safety regulations according to IEC, EN, VDE, AFNOR and other regulations of the individual countries are to be observed. Subject to change.

The price list supersedes all previous editions. Prices are subject to change without any prior notice.

1 609 929 929
 2022 01 01

DE, FR, GB


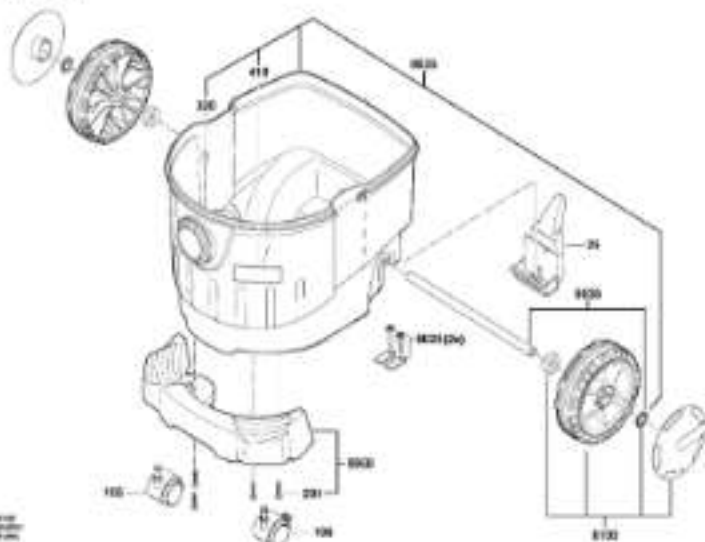
1 / 5

Model: 3 601 JCS 0F0 = 230

Item	Pc	Order no.	Description	LF in EUR	Item	Pc	Order no.	Description	LF in EUR
15	1	2 609 200 427	Housing	1,247,00	208	2	2 609 200 431	Fastening Part	30,00
23	1	2 609 200 483	Support	199,00	218	4	2 609 200 307	Lens Head Screw	74,00
24	2	2 609 200 428	Locking Piece	224,00	230	1	2 609 200 454	Clamping Ring	70,00
25	1	2 609 200 482	Support	232,00	261	1	2 609 200 407	Suction Pipe	440,00
26	1	2 609 200 423	Clamping Piece	223,00	265	1	2 609 200 455	Nozzle	1,973,00
28	1	2 609 200 390	Support	673,00	266	1	2 609 200 452	Nozzle	317,00
37	2	2 609 200 427	Sensor	367,00	280	1	2 609 200 456	Socket	1,771,00
47	1	2 609 200 480	Spring	310,00	307	1	1 619 P88 502	Sticker 1800W	
70	1	2 609 200 420	Seal	387,00	308	2	2 609 200 438	Screw	74,00
80	1	2 609 200 488	Motor Housing	1,426,00	313	1	2 609 200 488	Electrical accessories	788,00
88	2	2 609 200 436	Hose Holder	1,808,00	320	1	2 609 200 488	Slot	88,00
89	1	2 609 200 434	Cord	208,00	322	2	2 609 200 481	Fastening Part	74,00
100	1	2 609 200 342	O-Ring	80,00	414	1	2 609 200 441	Sticker	
101	1	2 609 200 402	O-Ring	74,00	415	1	2 609 200 480	Plate	208,00
105	1	2 609 200 480	Caster Wheel	683,00	416	1	2 609 200 406	Warning Plate	
108	1	2 609 200 481	Caster Wheel	735,00	420	2	2 609 200 478	Manufacturer's nameplate	
113	8	2 609 200 408	Plug	74,00	8020	1	1 607 008 083	Support	218,00
124	1	2 609 200 358	Fanite Core	188,00	8021	1	2 609 200 338	Switch	1,871,00
125	1	2 609 200 479	Switch	82,00	8026	1	2 609 200 462	Housing	2,248,00
154	1	1 619 P88 502	Power Cable I/O		8030	1	2 609 200 477	Cover	3,793,00
190	1	2 607 432 026	Filter	1,618,00	8033	1	2 609 200 391	Cover	2,228,00
199	4	2 609 200 422	Screws	878,00	8034	1	2 609 200 430	Wood	4,348,00
201	16	2 609 200 410	Screws	74,00	8035	1	2 609 200 483	Container	6,080,00
202	5	2 609 200 414	Positioning Element	74,00	8036	1	2 609 200 483	Axis	923,00

Please observe: Repairing, modifying and testing of electric tools are to be performed by a professional. The safety regulations according to IEC, EN, VDE, AFNOR and other regulations of the individual countries are to be observed. Subject to change.

The price list supersedes all previous editions. Prices are subject to change without any prior notice.

1 609 929 929
 1 609 929 929 **Fig. 100**

 Nicht für Reparatur
 Ersatzteile verwenden
 Bitte nachlesen

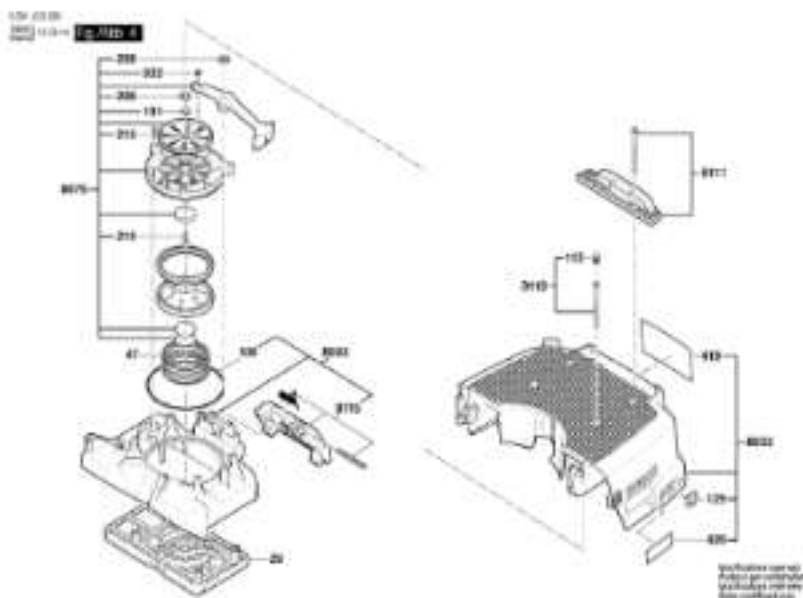
2 / 6

Model: 3 601 JCS 0F0 = 230

Item	Pc	Order no.	Description	LF in EUR	Item	Pc	Order no.	Description	LF in EUR
3030	1	2 608 200 344	Handle	771,00					
3040	1	1 616 F88 831	Nameplate (GAS 35 L 8FC)						
3052	1	2 608 200 440	Bumper	1,483,00					
3055	1	2 608 200 421	Seal Kit	1,120,00					
3075	1	2 608 200 480	Valve Plate	4,325,00					
3080	1	2 608 200 413	Sound Insulation Mat	380,00					
3082	1	2 608 200 437	Sound Insulation Mat	533,00					
2123	2	2 608 200 432	Wheel	1,313,00					
2107	1	2 608 200 418	Motor	2,081,00					
2110	1	2 608 200 438	Holder	538,00					
2111	1	2 608 200 407	Holder	598,00					
2113	1	2 608 200 405	Fastening parts kit	631,00					
2115	1	2 608 200 560	Filter Cover	902,00					
2181	1	2 608 200 412	Cable	519,00					
2182	1	2 608 200 570	Cable	71,00					
2175	1	2 608 200 568	Wafer	5,905,00					
3227	1	2 608 000 300	Hose	6,124,00					
3301	1	2 608 200 484	Operator Panel	1,582,00					
3321	1	2 608 200 423	Spring Housing	679,00					

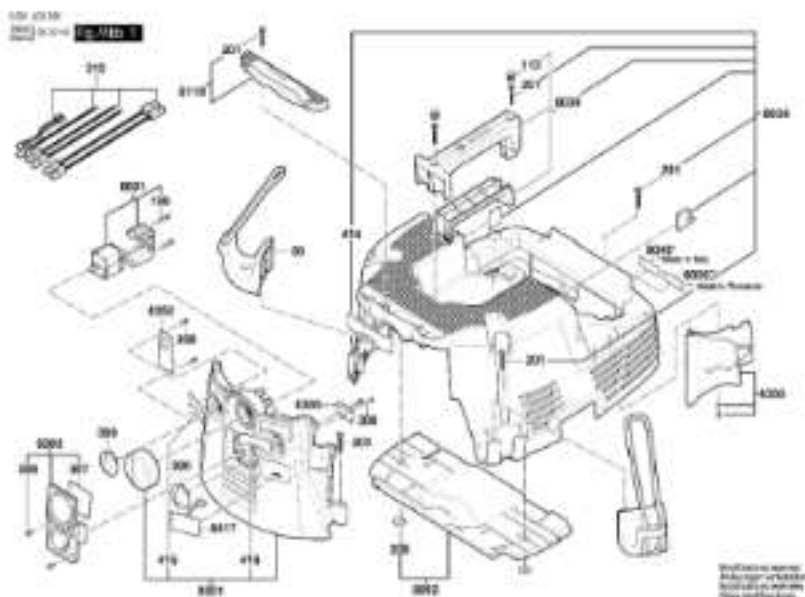
Please observe: Repairing, installing and using of electric tools are to be performed professionally. The safety regulations according to IEC, EN, VDE, AFNOR and other regulations of the individual countries are to be observed. Subject to change.

The price list supersedes all previous editions. Prices are subjected to change without any prior notice.



Model: 3 601 JCS 0F0 = 250

Item	Pc	Order no.	Description	LF in EUR	Item	Pc	Order no.	Description	LF in EUR

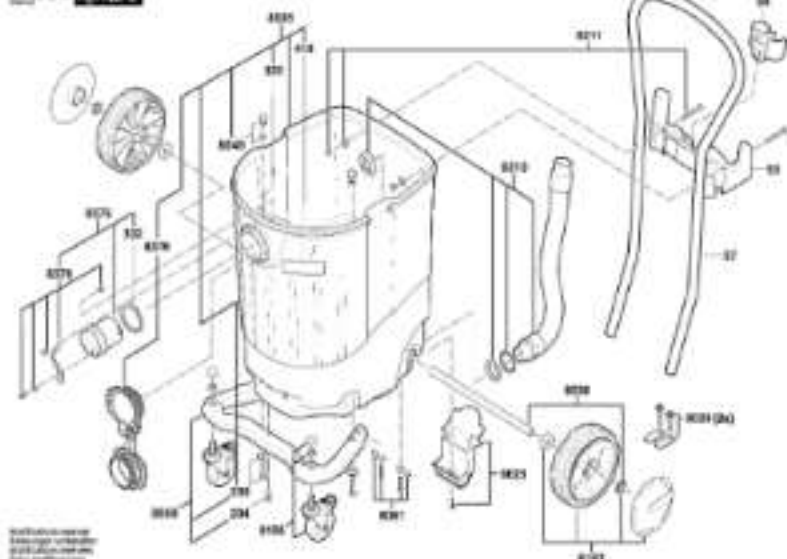


1 / 5

Model: 3 601 JCS 3FC = 240

Item	Pc	Order no.	Description	LF in EUR	Item	Pc	Order no.	Description	LF in EUR
24	2	2 600 200 426	Locking Piece	200,00	210	1	2 600 200 320	Serialized Lock-Washer	70,00
27	1	2 600 200 401	Magnet	182,00	215	4	2 600 200 307	Lens Head Screw	74,00
28	1	2 600 200 423	Clamping Piece	223,00	230	2	1 600 430 140	Screw	40,00
29	1	2 600 200 390	Support	673,00	260	1	2 600 200 494	Clamping Ring	70,00
31	2	2 600 200 427	Sensor	387,00	261	1	2 600 200 415	Pipe Block	83,00
47	1	2 600 200 483	Spring	210,00	262	1	2 600 200 410	Suction Pipe	1487,00
53	1	2 600 200 454	Support	668,00	265	1	2 600 200 485	Nozzle	1573,00
54	1	2 600 200 455	Support	390,00	269	1	2 600 200 482	Nozzle	317,00
67	1	2 600 200 488	Strap-Shaped Handle	3 044,00	280	1	2 600 200 483	Socket	2 223,00
72	1	2 600 200 430	Seal	387,00	300	2	2 600 200 446	Rotary Knob	60,00
80	1	2 600 200 409	Motor Housing	1 919,00	307	1	1 610 P88 530	Sticker 1800W	
88	2	2 600 200 438	Hose Holder	1 600,00	308	7	2 600 200 438	Screw	74,00
96	1	2 600 200 434	Cord	300,00	313	1	2 600 200 439	Electrical accessories	614,00
100	1	2 600 200 392	O-Ring	80,00	320	1	2 600 200 490	Bolt	80,00
112	5	2 600 200 408	Plug	74,00	322	2	2 600 200 481	Fastening Part	74,00
134	1	2 600 200 559	Filter Core	150,00	332	1	2 600 200 487	Steel Ring	113,00
154	1	1 610 P88 530	Power Cable (NO)		381	1	2 600 200 400	Ham	387,00
170	1	2 600 200 480	Magnet	2 782,00	385	1	2 600 200 411	Hose	437,00
190	1	2 007 432 028	Filter	4 014,00	414	1	2 600 200 441	Sticker	
199	4	2 600 200 402	Screw	678,00	416	1	2 600 200 442	Sticker	
201	13	2 600 200 410	Screw	74,00	418	1	2 600 200 443	Sticker	
204	1	2 600 200 470	Screw	74,00	419	1	2 600 200 459	Plate	200,00
205	1	2 600 200 400	Screw	74,00	419	1	2 600 200 403	Warning Plate	
208	5	2 600 200 414	Positioning Element	74,00	420	2	2 600 200 470	Manufacturer's nameplate	

1 609 929 J00
2022-07-01 | **DE, NLD, B**



Alle Abbildungen sind ohne Gewähr. Die Abbildungen sind ohne Gewähr. Die Abbildungen sind ohne Gewähr.

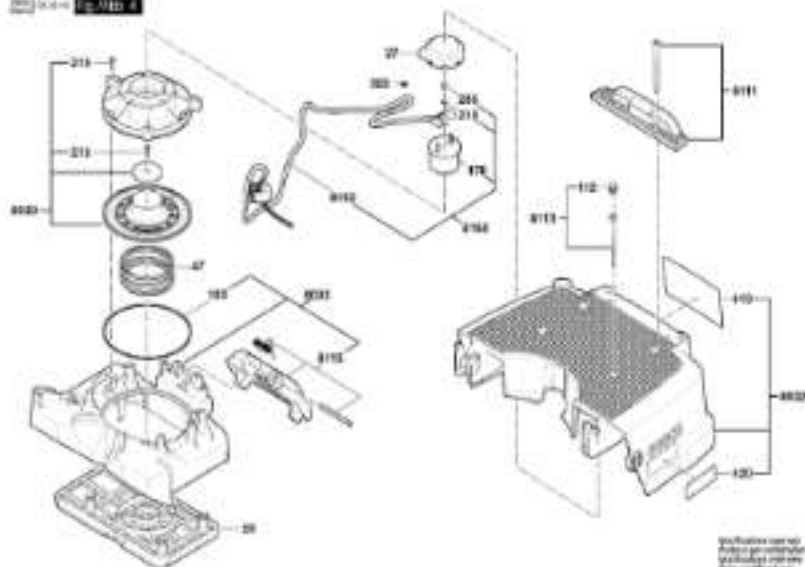
2 / 6

Model: 3 601 JCS 3F0 = 240

Item	Pc	Order no.	Description	LF in EUR	Item	Pc	Order no.	Description	LF in EUR
8021	1	2 606 200 328	Switch	1,271,00	8181	1	2 606 200 410	Cable	515,00
8025	1	2 606 200 473	Support	645,00	8182	1	1 600 401 44J	Cable	483,00
8031	1	2 606 200 421	Housing	8 042,00	8178	1	2 606 200 384	Water	2 202,00
8032	1	2 606 200 474	Cover	3 588,00	8211	1	2 606 200 418	Fastening parts kit	665,00
8033	1	2 606 200 391	Cover	2 239,00	8257	1	2 606 200 408	Hose	5 801,00
8034	1	2 606 200 430	Hood	4 342,00	8301	1	2 606 200 440	Operator Panel	1 218,00
8036	1	1 600 402 503	Container	7 652,00	8305	1	2 606 200 383	Water	1 715,00
8038	1	2 606 200 485	Aux	623,00	8310	1	2 606 200 398	Drainage Fitting	1 569,00
8039	1	2 606 200 444	Handle	771,00	8321	1	2 606 200 428	Spring Housing	879,00
8043	1	2 606 200 458	Fastening parts kit	454,00	8365	1	2 606 200 433	Molded Part	483,00
8044	1	1 616 988 838	Nameplate GA S 55 M AFC		8382	1	2 606 200 382	Water	2 308,00
8053	1	1 600 402 830V	Castor Wheel	2 632,00	8370	1	2 606 200 417	Coupling	500,00
8055	1	2 606 200 431	Seal Kit	1 140,00	8375	1	2 606 200 418	Coupling	1 218,00
8081	1	2 606 200 472	Support	570,00	8378	1	1 600 401 94L	Connection Piece	1 050,00
8082	1	2 606 200 413	Sound Insulation Mat	680,00	8417	1	2 606 200 387	Pol keyboard	2 173,00
8092	1	2 606 200 437	Sound Insulation Mat	533,00					
8103	2	2 606 200 432	Wheel	1 312,00					
8108	1	2 606 200 471	Castor Wheel	1 081,00					
8107	1	2 606 200 418	Motor	2 081,00					
8110	1	2 606 200 435	Holder	628,00					
8111	1	2 606 200 407	Holder	693,00					
8113	1	2 606 200 408	Fastening parts kit	621,00					
8116	1	2 606 200 380	Filter Cover	602,00					
8180	1	2 606 200 386	Magnet	2 968,00					

Please observe: Repairing, modifying and testing of electric tools are to be performed professionally. The safety regulations according to IEC, EN, VDE, AFNOR and other regulations of the individual countries are to be observed. Subject to change.

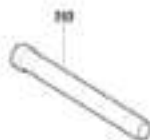
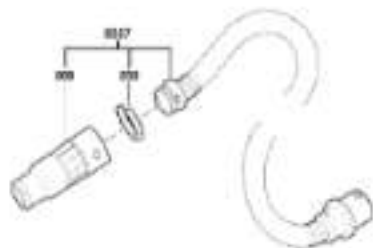
The price list supersedes all previous editions. Prices are subjected to change without any prior notice.

See also
page 142 of the
user manual

The illustration shows an exploded view of the vacuum cleaner. The parts are not necessarily in their original position.

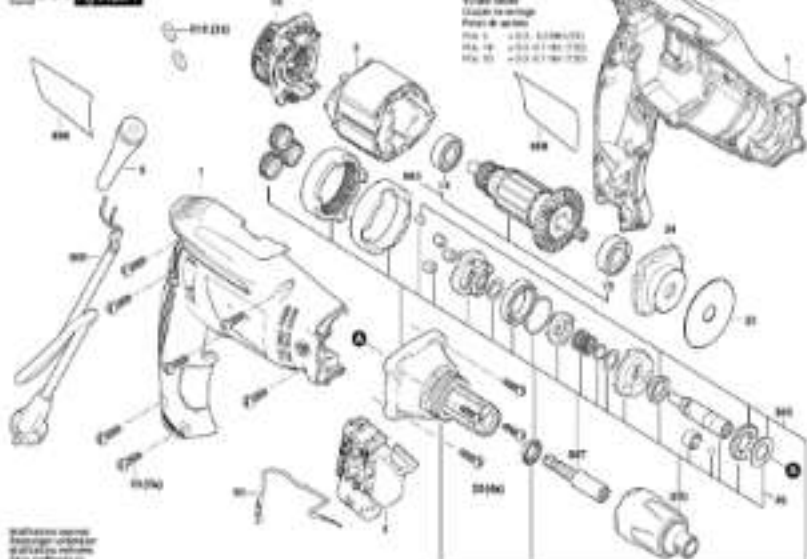
4 / 5

Model: 3 601 JCS 3F0 = 240									
Item	Pc.	Order no.	Description	LP in EUR	Item	Pc.	Order no.	Description	LP in EUR

1 609 929 J01
 3 601 929 1000 | **Fig. 12/0**

 Specifications are not
 subject to contract
 conditions unless
 otherwise stated

5 / 5

Model: 3 601 JCS 3F0 = 240									
Item	Pc	Order no.	Description	LT in EUR	Item	Pc	Order no.	Description	LT in EUR

3 601 D42 0F0
 3 601 D42 0F0 | BO


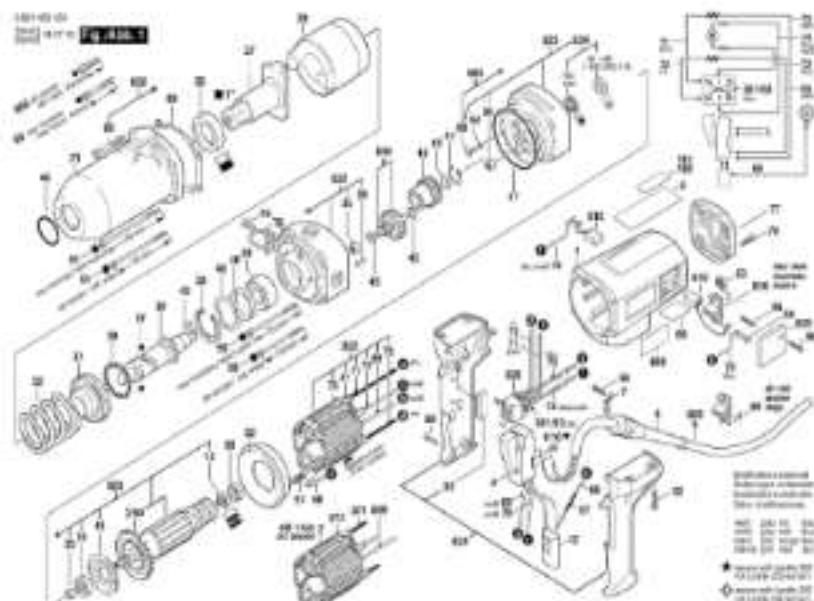
1 / 1

Model: 3 601 D42 0F0 = 230

Item	Pc	Order no.	Description	LF in EUR	Item	Pc	Order no.	Description	LF in EUR
1	1	1 602 800 102	Housing	790,00					
2	1	1 602 800 171	Stator	385,00					
4	1	2 601 200 717	Switch	320,00					
5	1	2 601 703 017	Grommet 26-A-27 2X75	74,00					
13	1	1 602 802 021	groove ball bearing 5X24X7	135,00					
14	1	2 602 110 491	Ball Bearing	41,00					
15	1	2 602 102 410	Brush Plate	520,00					
16	7	2 602 460 022	Screw 4X16	30,00					
20	4	2 602 460 022	Screw 4X16	30,00					
21	1	2 602 111 415	Friction Washer	85,00					
24	1	1 602 401 048	Bearing Bracket	365,00					
45	1	1 602 801 371	Gear Unit	2 040,00					
50	1	1 602 402 046	Earth Conductor	195,00					
502	1	1 607 000 048	Armature set ANKER SET	1 321,00					
505	1	1 604 460 731	Power supply cord 10M						
508	1	1 601 114 0F1	Nameplate						
509	1	2 602 942 1A/6	Nameplate GTB 650						
510	1	2 610 351 261	Carbon-Brush Set	45,00					
545	1	1 607 000 04F	Gear Housing	575,00					
570	1	1 602 801 340	Depth-Gauge	630,00					
587	1	2 602 111 054	Toolholder	290,00					

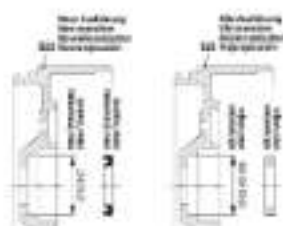
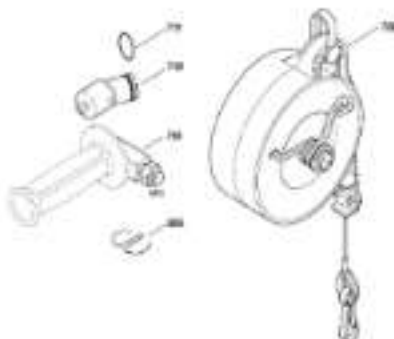
Please observe: Repairing, modifying and testing of electric tools are to be performed professionally. The safety regulations according to IEC 60110, AFNOR and other regulations of the individual countries are to be observed. Subject to change.

The price list supersedes all previous editions. Prices are subjected to change without any prior notice.



Model: 0 601 435 103 = 230

Item	Pc	Order no.	Description	LF in EUR	Item	Pc	Order no.	Description	LF in EUR
1	1	3 605 103 001	Motor Housing BLUE	1,324,00	40	1	1 800 100 000	Spring Washer	600,00
3/60	1	1 800 010 102	Fan	133,00	41	1	2 910 050 000	Retaining clip DIN	50,00
4	1	1 801 200 070	Switch	1,010,00	42	1	1 802 200 003	Parallel Key DIN	50,00
4/15	4	2 310 011 002	Socket head cap screw	70,00	43	1	3 605 201 008	Cylindrical Gear Z=25	3,680,00
5	1	3 606 703 011	Drummer Ø5,2-Ø12X120	160,00	45	2	1 800 100 017	Shim 0,5 MM THICK	50,00
7	1	1 801 302 014	Fastening Clamps	100,00	46	1	3 600 210 101	O-Ring 35,0x3,0 MM	100,00
8	1	3 601 110 014	Sticker		47	1	1 800 210 006	O-Ring 65,0x3,0 MM	60,00
12	1	2 007 320 000	Suppression Filter	237,00	48	1	1 800 200 002	Rubber Ring	50,00
13	1	2 800 200 002	Ball Bearing TX-1906	150,00	49	1	3 600 000 043	Bearing cover	637,00
14	1	3 600 905 131	groove ball bearing SK25X3	333,00	50	1	1 800 502 011	Intermediate Ring	40,00
20	1	2 617 300 119	Straight Pin DIN 7-24X301,4	60,00	51	2	1 804 010 000	Compression Spring	40,00
21	1	3 600 008 002	Spindle Bearing	2,030,00	52	1	3 604 010 000	Compression Spring	1,170,00
27	1	1 800 480 004	Coupling Half	10,400,00	53	2	1 004 950 00K	Spiral Spring	70,00
28	1	3 600 200 010	Spacer Ring	2,214,00	54	2	3 603 430 040	Socket head cap screw	47,00
29	1	1 800 710 000	Striker	30 270,00	55	2	3 602 217 000	Insulating Shim	74,00
30	1	1 803 104 100	Drive Shaft	10,350,00	56	8	2 910 211 010	Tapping Screw DIN	30,00
31	1	3 600 220 010	Backup ring	9 110,00	60	2	3 603 430 040	Lens Head Screw	60,00
32	1	1 800 602 010	Air-Deflector Ring	100,00	61	2	2 910 191 170	Hex Socket Head Cap	40,00
33	1	3 600 300 042	Intermediate Ring	572,00	60	2	3 603 430 041	Lens Head Screw	50,00
35	2	1 800 210 010	Needle bearing 20X21X30	60,00	62	4	3 603 430 007	Tapping Screw SK05	60,00
36	1	3 600 905 201	groove ball bearing	1,487,00	64	2	3 600 100 013	Plain Washer DIN	74,00
37	2	1 803 230 010	Ball DIN 5401-S M6x11-ØT	70,00	65	1	1 800 101 000	Shim washer 0,4 MM	30,00
38	10	1 803 230 000	Ball DIN 5401-S G308	60,00	66	1	3 601 110 370	Sticker	
39	1	1 800 110 004	Spring retaining ring	121,00	67	1	1 800 712 007	Shrinkable Tube	70,00

1 601 435 103
 0 601 435 103 | **Fig. 8.10.1**


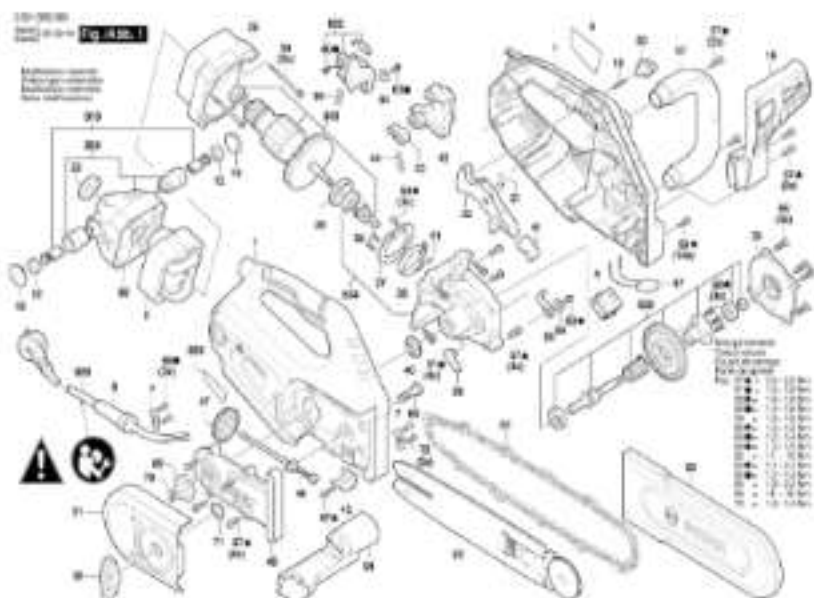
2 / 3

Model: 0 601 435 103 = 230

Item	Pc	Order no.	Description	LF in EUR	Item	Pc	Order no.	Description	LF in EUR
65	1	3 504 443 044	Elec. Cable W/Connection	35,00	803	1	3 504 510 071	Armature 220-230V	8,90/0,00
66	1	3 504 438 025	Connecting Cable L=470	35,00	805	1	1 607 000 227	Power supply cord EU	2,70/0,00
70	1	3 504 438 012	Connecting Cable L=230	70,00	808	1	1 601 114 340	Nameplate	
71	1	3 504 450 125	Connecting Cable L=330	1,735,00	810	1	3 607 014 212	Carbon-Brush Set	747,00
72	1	3 504 438 008	Connecting Cable L=160	1,952,00	818	2	3 504 330 112	Brush Holder	225,00
73	1	3 504 803 026	Suppression Filter L=300	224,00	822	1	3 607 021 548	Gear Housing	5,551,00
74	1	3 504 803 027	Suppression Filter L=150	224,00	823	1	3 505 806 155	Intermediate Flange	4,317,00
75	4	3 501 028 003	Wire Guide	43,00	824	1	3 505 132 094	Handle BLUE	3,050,00
76	6	2 014 201 827	Tox Over-Head Screw	70,00	825	2	3 505 800 060	Sealing cap BLUE	71,00
77	1	3 505 800 060	Sealing cap BLACK	340,00	826	1	3 607 200 000	Switch	1,173,00
78	1	3 501 310 013	Suspension Loop	590,00	834	1	3 500 230 070	Rotary shaft (to case)	534,00
79	2	2 010 131 103	Hex Socket Head Cap	70,00	844	1	1 607 000 056	Gear Shaft	5,872,00
80	3	2 014 201 808	Tox Over-Head Screw	135,00	850	2	3 503 414 028	Hex Socket Head Cap	74,00
81	4	3 500 707 022	Shrinkable Tube	71,00	859	1	3 504 400 009	Connecting Cable L=450	131,00
88	2	3 503 436 046	Socket head cap screw	47,00	871	1	3 504 438 015	Connecting Cable L=345	119,00
89	1	3 501 023 010	Seal	224,00	875	4	3 501 028 003	Wire Guide	43,00
90	2	1 501 030 022	Tap Washer	47,00					
301/63	2	3 504 412 002	Connecting Cable L=60	139,00					
850	1	1 503 028 062	Auxiliary Handle	229,00					
850	1	1 503 028 041	Auxiliary Handle	642,00					
700	1	3 607 850 026	Spring Pull 8-10 KG						
712	1	1 508 800 008	ball joint 1", 100 MM						
751	1	1 503 827 017	Threaded Pitting M14, L=70						
802	1	3 504 220 138	Flex 220-230V	3,601,00					

Please observe: Repairing, modifying and testing of electric tools are to be performed professionally. The safety regulations according to IEC 611, IEC 6104, AF104 and other regulations of the individual countries are to be observed. Subject to change.

The price list supersedes all previous editions. Prices are subject to change without any prior notice.



1 / 2

Model: 3 601 B66 0F0 = 230

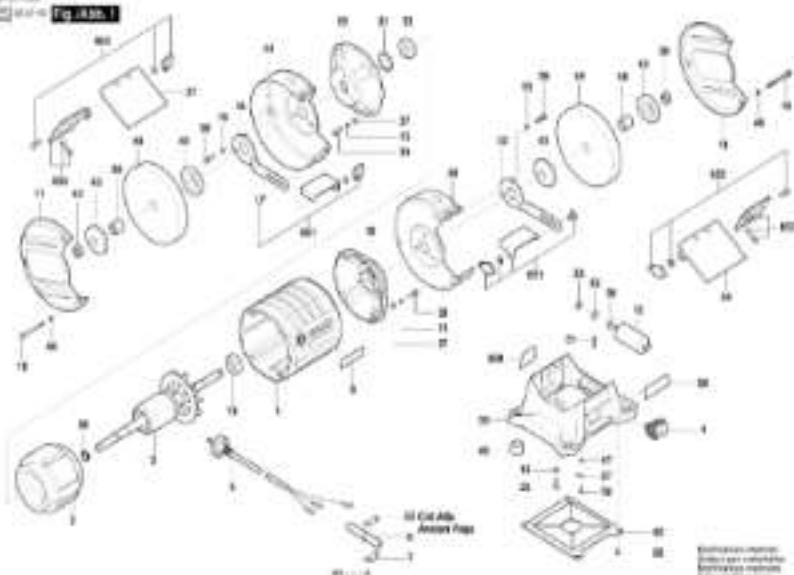
Item	Pc	Order no.	Description	LF in EUR	Item	Pc	Order no.	Description	LF in EUR
1	1	1 619 P66 600	Housing Set	1.000,00	40	1	1 619 P66 731	Plastic ring	27,00
2	1	1 619 P66 605	Field assembly 220-240V	1.130,00	41	1	1 619 P66 732	Pusher	33,00
3	1	1 619 P66 606	Switch	300,00	42	1	1 619 P66 733	Level Arm	50,00
4	1	1 619 P66 607	Grommel		43	1	1 619 P66 734	Level Clamp	27,00
5	1	1 619 P66 608	Cable Clio	25,00	44	1	1 619 P66 735	Compression Spring	27,00
6	1	1 619 P66 700	Manufacturer's nameplate		45	1	1 619 P66 736	Mounting Plate	41,00
12	1	1 619 P66 703	Insulating Cap	23,00	46	1	1 619 P66 737	Adjusting Device	165,00
13	1	1 619 P66 707	Protective Shield	180,00	47	1	1 619 P66 738	Adjusting Roller	29,00
17	1	1 619 P66 708	Auxiliary Handle	347,00	48	1	1 619 P66 739	Mounting Plate	260,00
18	1	1 619 P66 709	plastic covering	27,00	50	1	1 619 P66 741	Wing Nut	132,00
19	1	1 619 P66 710	Compression Spring	27,00	51	1	1 619 P66 742	plastic covering	207,00
20	1	1 619 P66 711	Button	27,00	57	18	1 619 P66 748	Pan head screw	27,00
21	1	1 619 P66 712	Compression Spring	27,00	58	14	1 619 P66 749	Screw	26,00
22	1	1 619 P66 713	Trigger	91,00	59	2	1 619 P66 750	Pan head screw	26,00
23	1	1 619 P66 714	Rubber damper	26,00	60	7	1 619 P66 751	Countersink-Head Screw	26,00
24	1	1 619 P66 715	Air-Deflector Ring	194,00	61	1	1 619 P66 752	Pin	26,00
25	1	1 619 P66 717	Stop Wheel	23,00	62	2	1 619 P66 754	Pan head screw	26,00
27	1	1 619 P66 718	Plate	49,00	64	2	1 619 P66 755	Pin	27,00
28	1	1 619 P66 719	Brake Band	151,00	65	4	1 619 P66 756	Countersink-Head Screw	26,00
29	1	1 619 P66 720	Pinion	245,00	67	1	1 619 P66 758	Capacitor	30,00
30	1	1 619 P66 721	Compression Spring	27,00	68	1	1 619 P66 759	Pin	26,00
32	1	1 619 P66 724	Gear Cover	340,00	69	1	1 619 P66 760	Hex Screw	27,00
33	1	1 619 P66 725	Brake Plate	71,00	70	1	1 619 P66 761	Clio	27,00
34	1	1 619 P66 730	Lever	52,00	71	1	1 619 P66 762	Clio	27,00

Please observe: Repairing, modifying and testing of electric tools are to be performed professionally. The safety regulations according to IEC 611, VDE, AFNOR and other regulations of the individual countries are to be observed. Subject to change.

The price list supersedes all previous editions. Prices are subject to change without any prior notice.

3 601 B7A 3F0
 Bosch Power Tools

Fig. 4/30.1

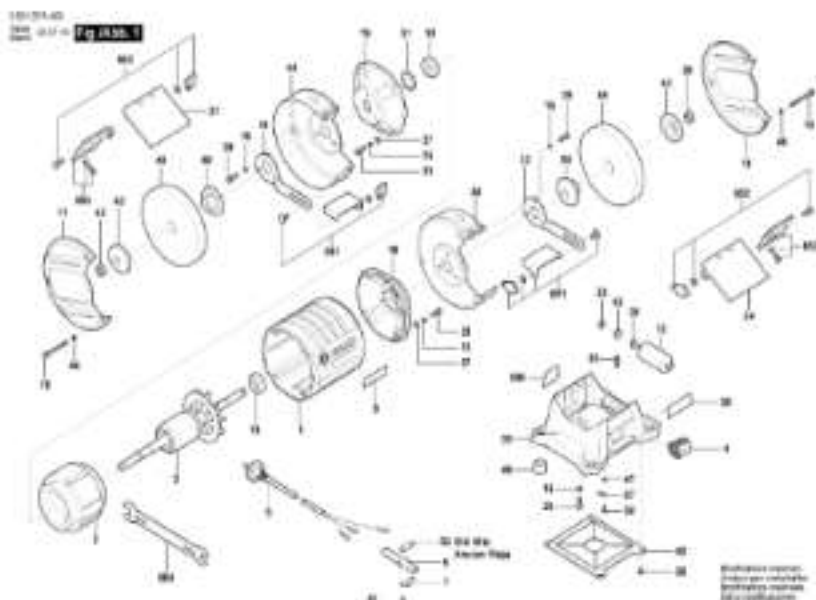

 Bosch Power Tools
 Bosch Power Tools
 Bosch Power Tools

1 / 2

Model: 3 601 B7A 3F0 = 230

Item	Pc	Order no.	Description	LF in EUR	Item	Pc	Order no.	Description	LF in EUR
1	1	1 610 PB1 456	Motor Housing	334,00	26	1	1 610 PB1 554	Base	710,00
2	1	1 610 PB1 456	Field assembly	3 047,00	27	8	1 610 PB1 536	Plain Washer	40,00
3	1	1 610 PB1 470	Armature	1 651,00	28	2	1 610 PB1 537	Hex thin nut	40,00
4	1	1 610 PB1 470	Switch	261,00	29	14	1 610 PB1 538	Screw	40,00
5	1	1 610 PB1 474	Power supply cord	440,00	30	1	1 610 PB1 539	Base Plate	50,00
6	1	1 610 PB1 480	Grommet	60,00	31	2	1 610 PB1 541	Pin head screw	40,00
7	1	1 610 PB1 491	Oil	40,00	32	1	1 610 PB1 542	Hex Nut	41,00
8	1	1 610 PB1 496	Manufacturers nameplate		33	4	1 610 PB1 543	Clamping Flange	191,00
10	8	1 610 PB1 500	Screw	31,00	34	1	1 610 PB1 545	Protective Cover	458,00
11	2	1 610 PB1 504	Lateral Guard	487,00	35	4	1 610 PB1 547	Supporting foot	14,00
12	1	1 610 PB1 504	Suppression Obstacle	309,00	36	6	1 610 PB1 548	Spring Washer	40,00
13	2	1 610 PB1 508	groove ball bearing	218,00	37	1	1 610 PB1 549	Toothed lock washer	40,00
14	14	1 610 PB1 508	Spring Washer	40,00	38	1	1 610 PB1 448	Grinding Wheel-150 MM	411,00
16	2	1 610 PB1 509	Spring Washer	40,00	39	1	1 610 PB1 448	Grinding Wheel-150 MM	411,00
18	1	1 610 PB1 511	Support Plate	123,00	40	1	1 610 PB1 550	Reduction Sleeve	54,00
19	2	1 610 PB1 513	End Shield	658,00	41	1	1 610 PB1 552	Terminal Socket	59,00
20	1	1 610 PB1 513	Warning Label		42	1	1 610 PB1 553	Toothed lock washer	40,00
22	2	1 610 PB1 521	Screw	40,00	43	1	1 610 PB1 554	Support Plate	40,00
23	4	1 610 PB1 522	Pin head screw	40,00	44	1	1 610 PB1 555	Protective Cover	458,00
24	1	1 610 PB1 523	Protective Glass	103,00	45	1	1 610 PB1 556	Spacer Ring	40,00
26	1	1 610 PB1 525	Hex Nut	41,00	46	1	1 610 PB1 559	Spring Washer	40,00
27	1	1 610 PB1 527	Corrugated Washer	40,00	47	1	1 610 PB1 730	Pin head screw	40,00
28	1	1 610 PB1 528	Support Plate	123,00	48	1	1 610 PB1 751	Support Plate	450,00
34	1	1 610 PB1 532	Protective Glass	103,00	49	1	1 610 PB1 752	Screw	100,00

Please observe: Repairing, modifying and testing of electric tools are to be performed professionally. The safety regulations according to IEC 611, VDE, AFNOR and other regulations of the individual countries are to be observed. Subject to change.
 The price list supersedes all previous editions. Prices are subject to change without any prior notice.

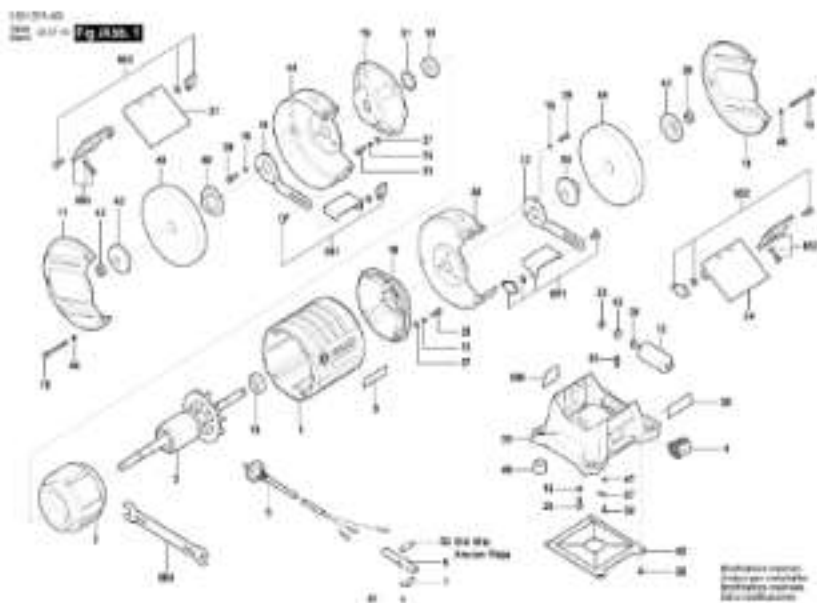


Model: 3 601 B7A 4F0 = 220

Item	Pc	Order no.	Description	LF in EUR	Item	Pc	Order no.	Description	LF in EUR
1	1	1 610 PB1 457	Motor Housing	1,634,00	36	1	1 610 PB1 535	Base	332,00
2	1	1 610 PB1 459	Field assembly	5443,00	37	8	1 610 PB1 536	Plain Washer	40,00
3	1	1 610 PB1 471	Armature	2,285,00	38	2	1 610 PB1 537	Hex thin nut	40,00
4	1	1 610 PB1 472	Switch	361,00	39	14	1 610 PB1 538	Screw	40,00
5	1	1 610 PB1 474	Power supply cord	440,00	40	1	1 610 PB1 540	Base Plate	114,00
6	1	1 610 PB1 480	Grommet	85,00	41	2	1 610 PB1 541	Pen head screw	40,00
7	1	1 610 PB1 491	Oil	40,00	42	1	1 610 PB1 542	Hex Nut	41,00
8	1	1 610 PB1 496	Manufacturers nameplate		43	2	1 610 PB1 544	Cleaming Flange	408,00
10	8	1 610 PB1 501	Screw	40,00	44	1	1 610 PB1 545	Protective Cover	324,00
11	2	1 610 PB1 503	Lateral Guard	1,014,00	45	4	1 610 PB1 547	Supporting foot	14,00
12	1	1 610 PB1 505	Suppression Obstacle	414,00	46	6	1 610 PB1 548	Spring Washer	40,00
13	2	1 610 PB1 507	groove ball bearing	236,00	47	1	1 610 PB1 549	Toothed lock washer	40,00
14	14	1 610 PB1 508	Spring Washer	40,00	48	1	1 610 PB1 447	Grinding Wheel 200MM	1,080,00
16	2	1 610 PB1 509	Spring Washer	40,00	49	1	1 610 PB1 448	Grinding Wheel 200MM	1,080,00
18	1	1 610 PB1 510	Support Plate	171,00	50	1	1 610 PB1 551	Cleaming Flange	604,00
19	2	1 610 PB1 514	End Shield	938,00	51	1	1 610 PB1 552	Terminal Screw	59,00
20	1	1 610 PB1 515	Naming Label		52	1	1 610 PB1 553	Toothed lock washer	40,00
25	2	1 610 PB1 521	Screw	40,00	53	1	1 610 PB1 554	Support Plate	40,00
26	4	1 610 PB1 522	Pen head screw	40,00	54	1	1 610 PB1 555	Protective Cover	344,00
27	1	1 610 PB1 523	Protective Glass	103,00	57	1	1 610 PB1 556	Spring Washer	40,00
30	1	1 610 PB1 525	Hex Nut	41,00	58	1	1 610 PB1 730	Pen head screw	40,00
31	1	1 610 PB1 526	Corrugated Washer	40,00	60	1	1 610 PB1 731	Support Plate	400,00
32	1	1 610 PB1 530	Support Plate	191,00	62	1	1 610 PB1 732	Screw	103,00
34	1	1 610 PB1 532	Protective Glass	103,00	63	1	1 610 PB1 733	Quers Plate	238,00

Please observe: Repairing, modifying and testing of electric tools are to be performed professionally. The safety regulations according to IEC 611, VDE, AFNOR and other regulations of the individual countries are to be observed. Subject to change.

The price list supersedes all previous editions. Prices are subject to change without any prior notice.

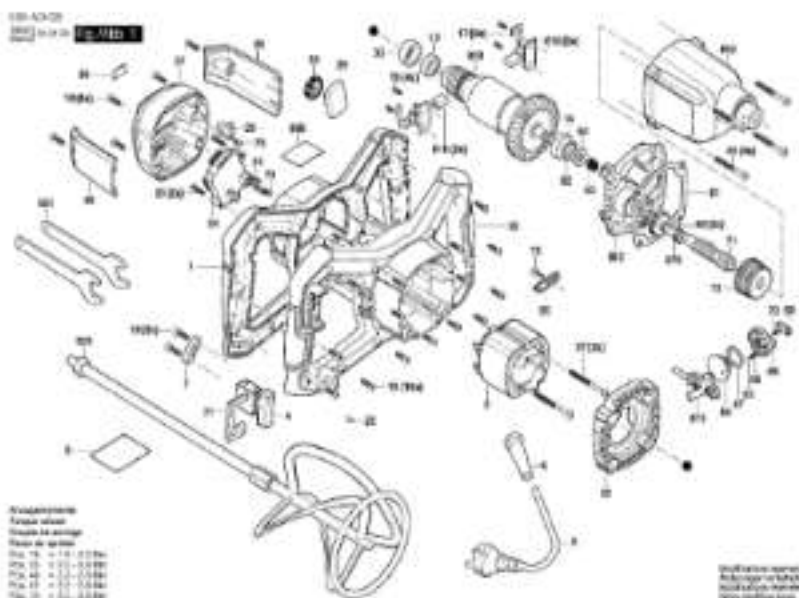


Model: 3 601 B7A 4F0 = 220

Item	Pc	Order no.	Description	LF in EUR	Item	Pc	Order no.	Description	LF in EUR
954	1	1 610 F51 02	Assembly Wrench	126,00					
955	1	1 610 F82 02E	Nameplate						

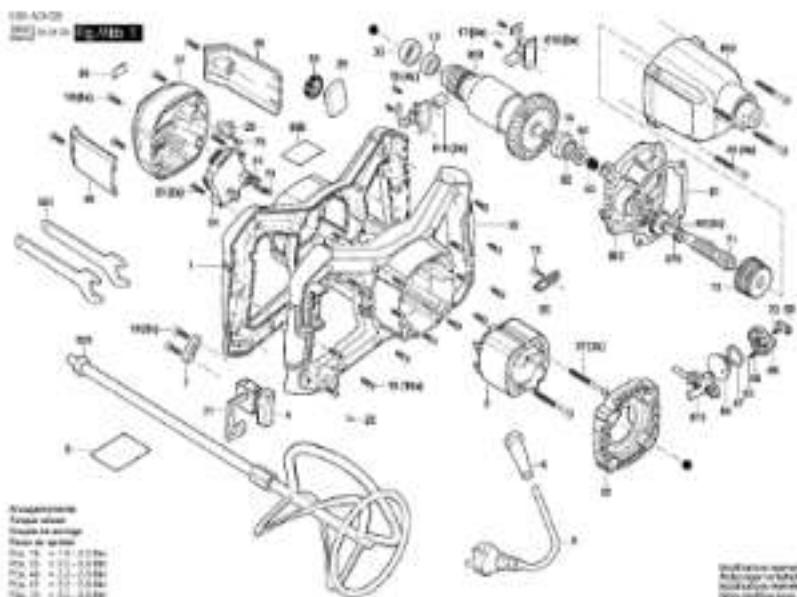
Please observe: Repairing, installing and testing of electric tools are to be performed professionally. The safety regulations according to IEC, EN, VDE, AFNOR and other regulations of the individual countries are to be observed. Subject to change.

The price list supersedes all previous editions. Prices are subjected to change without any prior notice.



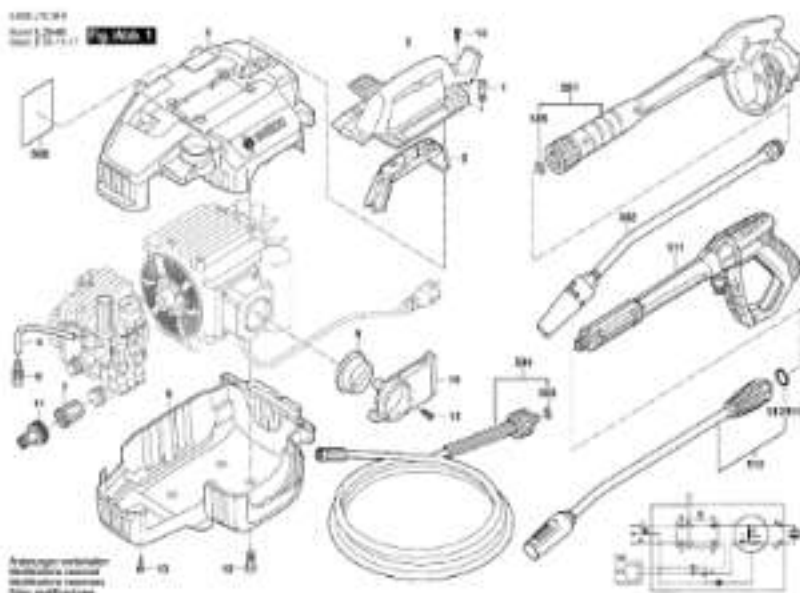
Model: 3 601 AC4 0F0 = 230

Item	Pc	Order no.	Description	LF in INR	Item	Pc	Order no.	Description	LF in INR
1	1	1 610 PC1 775	Motor Housing	420,00	49	4	1 610 PC1 730	Tapping Screw	20,00
2	1	1 610 PC1 756	Field	640,00	57	2	1 610 PC1 755	Tapping Screw	20,00
4	1	1 610 PC1 773	On-Off Switch	210,00	60	2	1 610 PC1 731	Straight Pin	20,00
5	1	1 610 PC1 770	Power supply cord		66	1	1 610 PC1 736	Shift Plate	20,00
6	1	1 610 PC1 771	Blommet	20,00	65	1	1 610 PC1 737	Ball	20,00
7	1	1 610 PC1 778	Cable Clip	20,00	68	1	1 610 PC1 738	Spring	20,00
8	1	1 610 PC1 726	Manufacturer's nameplate		67	1	1 610 PC1 739	O-Ring	20,00
12	1	1 610 PC1 752	Ball Bearing	77,00	69	1	1 610 PC1 740	Shift-Lever knob	20,00
14	1	1 610 PC1 753	Ball Bearing	77,00	69	1	1 610 PC1 761	Cover Plate	20,00
17	2	1 610 P60 917	Shaped Spring		70	8	1 610 PC1 742	Tapping Screw	40,00
18	23	1 610 PC1 772	Tapping Screw	101,00	71	1	1 610 PC1 743	Toothed Shaft	190,00
20	1	1 610 PC0 620	Rubber Bar	20,00	72	1	1 610 PC1 744	Toothed Gear	230,00
22	1	1 610 PC1 763	Handle Cover	447,00	81	1	1 610 PC1 753	Sealing Plate	20,00
23	1	1 610 PC1 734	Shaped Spring	20,00	82	1	1 610 PC1 754	O-Ring	20,00
34	1	1 610 PC1 126	Printed Circuit Board	670,00	83	1	1 610 PC1 756	Spring	20,00
35	2	1 610 PC1 758	Tapping Screw	20,00	94	1	1 610 PC1 759	Pin seal ring	20,00
36	1	1 610 PC1 737	Indicator cover	20,00	98	1	1 610 PC1 776	Cable Clip	40,00
37	1	1 610 PC1 758	Housing Cover	126,00	99	1	1 610 PC1 790	Protective Cover	40,00
38	1	1 610 PC1 759	Protective Cover	20,00	99	1	1 610 PC1 832	Warning Label	
39	1	1 610 PC1 777	Potentiometer	40,00	99	2	1 610 PC1 787	Assembly Wrench	50,00
39	1	1 610 PC1 779	Thrustwasher	20,00	99	1	1 610 PC1 798	Mixer Attachment	910,00
41	1	1 610 PC1 774	Spacer	20,00	99	1	1 610 PC1 787	Arrest set	1.320,00
42	1	1 610 PC1 754	Air-Deflector Ring	40,00	99	1	1 610 PC1 795	Nameplate	
43	1	1 610 PC1 765	Rubber Ring	20,00	99	1	1 610 PC0 032	Carbon-Brush Set	54,00



2 / 3

Model: 3 601 AC4 0F0 = 230									
Item	Pc	Order no.	Description	LF in EUR	Item	Pc	Order no.	Description	LF in EUR
352	1	1 616 PC1 701	Gear Housing	581,00					
353	1	1 616 PC1 732	Intermediate Flange	284,00					
373	1	1 616 PC1 743	Gears Lever	92,00					
374	1	1 616 PC1 751	Gear Unit	393,00					

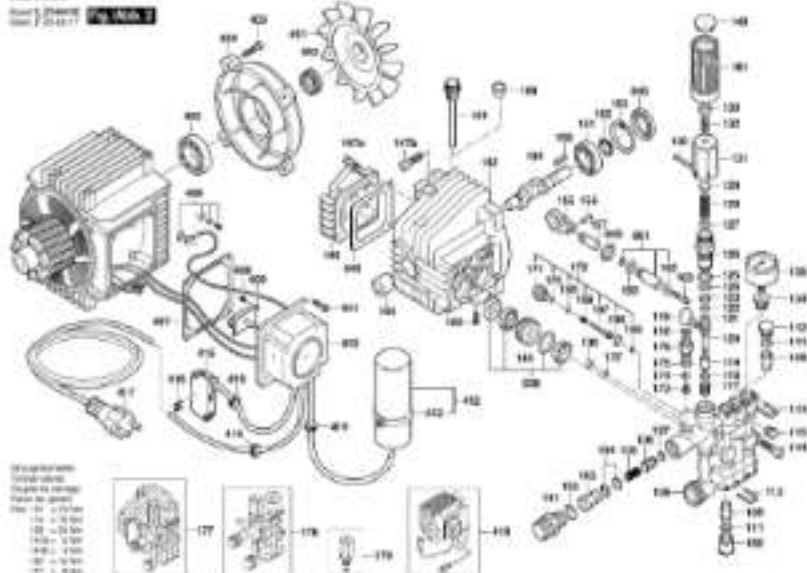


Model: 3 600 J10 0F0 = 220

Item	Pc	Order no.	Description	LF in EUR	Item	Pc	Order no.	Description	LF in EUR
1	4	F 016 L72 000	Screw	43,00	112	2	F 016 L72 024	Plug	264,00
2	1	F 016 L72 001	Handle	343,00	113	8	F 016 L72 025	Retaining clip	116,00
3	1	F 016 L72 002	Cover	305,00	114	4	F 016 L72 026	Screw	43,00
4	1	F 016 L72 003	Housing	678,00	115	1	F 016 L72 027	Plug	160,00
5	1	F 016 L72 004	Hose	194,00	116	1	F 016 L72 028	Nozzle	111,00
6	1	F 016 L72 005	Filter	105,00	117	1	F 016 L72 029	Plug	448,00
7	1	F 016 L72 006	Filter	70,00	118	1	F 016 L72 030	O-Ring	67,00
8	1	F 016 L72 007	Housing	575,00	119	1	F 016 L72 031	Piston	591,00
9	1	F 016 L72 008	Knob	201,00	120	1	F 016 L72 032	Piston	534,00
10	1	F 016 L72 009	Safety Cover	371,00	121	1	F 016 L72 033	O-Ring	67,00
11	1	F 016 L72 010	Hose Coupling	136,00	122	1	F 016 L72 034	O-Ring	67,00
12	4	F 016 L72 011	Screw	36,00	123	1	F 016 L72 034	Spacer Ring	90,00
13	7	F 016 L72 012	Screw	43,00	124	1	F 016 L72 035	O-Ring	43,00
101	1	F 016 F04 260	Adapter	505,00	125	1	F 016 L72 036	O-Ring	67,00
102	1	F 016 L72 014	O-Ring	67,00	126	1	F 016 L72 036	Piston Guide	768,00
103	1	F 016 L72 015	Injector	602,00	127	1	F 016 L72 037	Woolite Plate	168,00
104	2	F 016 L72 016	O-Ring	67,00	128	1	F 016 L72 038	Spring	173,00
105	1	F 016 L72 017	Spring	234,00	129	1	F 016 L72 039	Woolite Plate	107,00
106	1	F 016 L72 018	Valve Insert	331,00	130	1	F 016 L72 040	Pin	37,00
107	1	F 016 L72 019	O-Ring	31,00	131	1	F 016 L72 041	Insert	734,00
108	1	F 016 L72 020	Pump head	3.685,00	132	1	F 016 L72 042	Plug	43,00
109	8	F 016 L72 021	Valve	216,00	133	1	F 016 L72 043	Nut	43,00
110	1	F 016 L72 022	O-Ring	43,00	134	1	F 016 L72 044	Plug	597,00
111	5	F 016 L72 023	O-Ring	43,00	135	1	F 016 L72 045	Pressure gauge	750,00

3 600 J10 0F0

Original Bosch Power Tools



2 / 3

Model: 3 600 J10 0F0 = 220

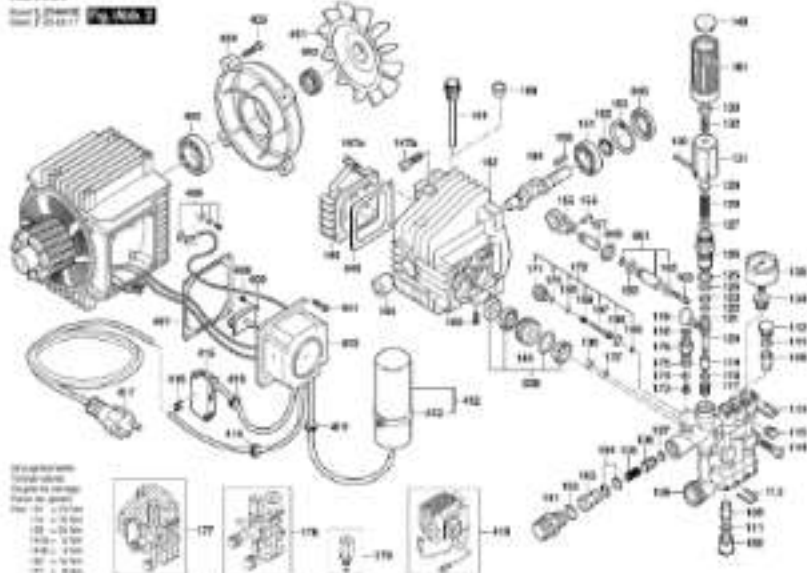
Item	Pc	Order no.	Description	LF in EUR	Item	Pc	Order no.	Description	LF in EUR
136	1	F 016 L72 048	Plug	216,00	165	1	F 016 L72 067	Spring	110,00
137	1	F 016 L72 047	O-Ring	43,00	166	1	F 016 L72 068	Plain Washer	65,00
140	3	F 016 L72 049	Platen Guide	240,00	170	1	F 016 L72 069	O-Ring	43,00
143	1	F 016 L72 046	Pump Unit	2 191,00	171	1	F 016 L72 070	Adapter	280,00
144	1	F 016 L72 050	Bushing	491,00	172	1	F 016 L72 071	Adapter	705,00
146	1	F 016 L72 051	Cover	604,00	173	1	F 016 L72 072	Spring	43,00
147	8	F 016 L72 052	Screw	34,00	174	1	F 016 L72 073	Ball	43,00
148	1	F 016 L72 053	Plug	65,00	175	1	F 016 L72 074	O-Ring	43,00
149	1	F 016 L72 054	Plug	463,00	176	1	F 016 L72 075	Adapter	610,00
150	1	F 016 L72 055	Key	91,00	177	1	F 016 F04 328	Pump	14 650,00
151	1	F 016 L72 056	Ball Bearing	416,00	178	1	F 016 F04 329	Pump head	6 031,00
152	1	F 016 L72 057	Retaining ring	43,00	179	1	F 016 F04 330	Valve	1 771,00
153	1	F 016 L72 058	Retaining ring	114,00	180	3	F 016 L72 076	Plug	330,00
155	3	F 016 L72 059	Connecting Rod	389,00	181	1	F 016 L72 077	Rotary Handle	110,00
156	3	F 016 L72 060	Pin	65,00	182	1	F 016 L72 078	Screw	30,00
157	3	F 016 L72 061	Pin	534,00	190	1	F 016 P62 107	Plug	51,00
160	1	F 016 F04 328	Washer	71,00	401	1	F 016 L72 079	Fan	211,00
162	3	F 016 L72 062	Plain Washer	43,00	402	1	F 016 L72 080	Ball	57,00
163	3	F 016 L72 063	Screw	91,00	403	4	F 016 L72 081	Screw	30,00
164	1	F 016 L72 064	Crankshaft		404	1	F 016 L72 082	Cover	616,00
164	1	F 016 L72 064	Crankshaft	1 030,00	405	1	F 016 L72 083	Ball Bearing	508,00
165	1	F 016 L72 065	O-Ring	43,00	406	1	F 016 L72 084	Clamp	100,00
166	1	F 016 L72 066	O-Ring	67,00	407	1	F 016 L72 085	Ball	91,00
167	1	F 016 L72 068	Pin	377,00	408	2	F 016 L72 086	Screw	30,00

Please observe: Repairing, modifying and testing of electro-tools are to be performed professionally. The safety regulations according to IEC 61140, AFNOR and other regulations of the individual countries are to be observed. Subject to change.

The price list supersedes all previous editions. Prices are subject to change without any prior notice.

3 600 J10 0F0

Bosch Power Tools



2 / 3

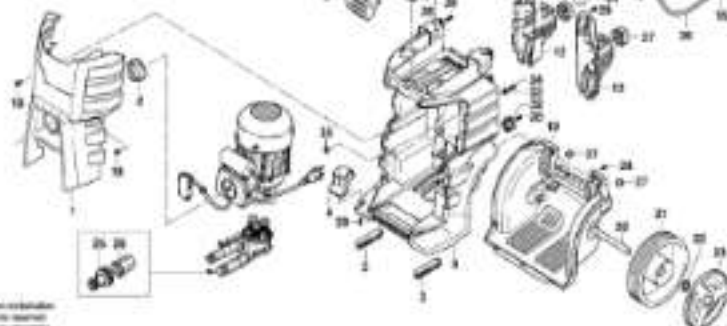
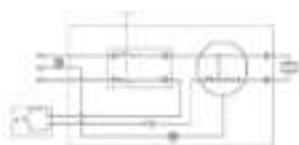
Model: 3 600 J10 0F0 = 220

Item	Pc	Order no.	Description	LF in EUR	Item	Pc	Order no.	Description	LF in EUR
302	1	F 016 L72 097	Switch	1 194,00	261	1	F 016 P04 202	Piston 2 STOCK	202,00
410	1	F 016 L72 058	Housing	240,00					
411	4	F 016 L72 059	Screw	30,00					
412	1	F 016 P05 013	Capacitor	628,00					
413	1	F 016 P05 430	Clamp						
414	1	F 016 L72 002	Grommet	120,00					
415	1	F 016 L72 003	Electronic Module	2 039,00					
416	1	F 016 L72 004	Clamp	289,00					
417	1	F 016 P04 303	Power supply cord MAL	1 332,00					
417	1	F 016 L72 305	Power supply cord						
418	1	F 016 P04 301	Motor	12 789,00					
418	1	F 016 P04 420	Motor						
419	2	F 016 L72 006	Grommet	120,00					
901	1	F 016 L72 097	Trigger	1 274,00					
902	1	F 016 L72 098	Wide Angle Nozzle	1 600,00					
903	1	F 016 L72 099	O-Ring	87,00					
904	1	F 016 P04 823	Hose	4 834,00					
905	1	F 016 L72 101	O-Ring	87,00					
911	1	F 016 L72 005	Trigger	1 219,00					
912	1	F 016 P05 305	Wide Angle Nozzle						
912/919	1	1 616 P82 119	O-Ring 5,5X1,5	31,00					
908	1	F 016 P05 602	Nameplate						
938	1	F 016 P04 320	Seal	720,00					
945	1	F 016 P04 321	Seal	475,00					

Please observe: Repairing, modifying and testing of electro-tools are to be performed professionally. The safety regulations according to IEC, EN, VDE, AFNOR and other regulations of the individual countries are to be observed. Subject to change.

The price list supersedes all previous editions. Prices are subjected to change without any prior notice.

1 600 J10 5F0
3 600 J10 5F0 | BO



Einzelteile ersetzen
Werkzeuge reparieren
Werkzeuge überholen
Reinigungsarbeiten

1 / 8

Model: 3 600 J10 5F0 = 220

Item	Pc	Order no.	Description	LF in EUR	Item	Pc	Order no.	Description	LF in EUR
1	1	F 016 L73 277	Housing	1 170,00	26	1	F 016 L73 010	Hose Coupling	130,00
2	1	F 016 L73 058	Knob	201,00	28	1	F 016 L73 581	Filter	70,00
3	2	F 016 L73 028	Rubber Base	307,00	27	2	F 016 L73 110	Rubber Base	312,00
4	1	F 016 L73 029	Accessory Deposit	718,00	28	16	F 016 L73 012	Screw	43,00
5	1	F 016 L73 030	Housing	2 940,00	29	3	F 016 L73 187	Screw	30,00
6	1	F 016 L73 031	Cover	307,00	30	4	F 016 L73 307	Retaining Screw	50,00
7	1	F 016 L73 032	Hook	388,00	31	2	F 016 L73 061	Plain Washer	162,00
8	1	F 016 L73 033	Housing part	1 547,00	32	1	F 016 L73 109	Grommet	34,00
9	1	F 016 L73 034	Housing part	730,00	33	4	F 016 L73 120	Plain Washer	103,00
10	2	F 016 L73 036	Roller	690,00	34	8	F 016 L73 711	Screw	31,00
11	1	F 016 L73 038	Handle	719,00	35	4	F 016 L73 100	Vibration Damper	119,00
12	1	F 016 L73 037	Accessory Deposit	681,00	36	1	F 016 L73 328	Suction Pipe	180,00
13	1	F 016 L73 038	Accessory Deposit	605,00	37	1	F 016 L73 275	Plug	34,00
14	1	F 016 L73 038	Adjustment Knob	307,00	101	1	F 016 L73 124	Plug	260,00
15	1	F 016 L73 040	Cover Plate	622,00	102	1	F 016 L73 054	Pump head	3 014,00
16	1	F 016 L73 041	Water filter	325,00	103	3	F 016 L73 125	Screw	30,00
17	1	F 016 L73 038	Suction Pipe	124,00	104	1	F 016 L73 038	O-Ring	43,00
18	2	F 016 L73 083	Screw	34,00	105	1	F 016 F04 381	Adapter	794,00
19	1	F 016 L73 044	Housing	2 142,00	106	8	F 016 L73 014	O-Ring	57,00
20	1	F 016 F08 322	Wheel Shaft		107	1	F 016 F04 382	Adapter	790,00
21	2	F 016 F08 287	Wheel		108	1	F 016 L73 055	O-Ring	45,00
22	2	F 016 L73 047	Plain Washer	113,00	109	8	F 016 L73 120	Valve	409,00
23	2	F 016 F08 323	Cover		110	8	F 016 L73 130	Seal	130,00
24	1	F 016 L73 122	Safety Cover	424,00	111	3	F 016 L73 131	O-Ring	57,00

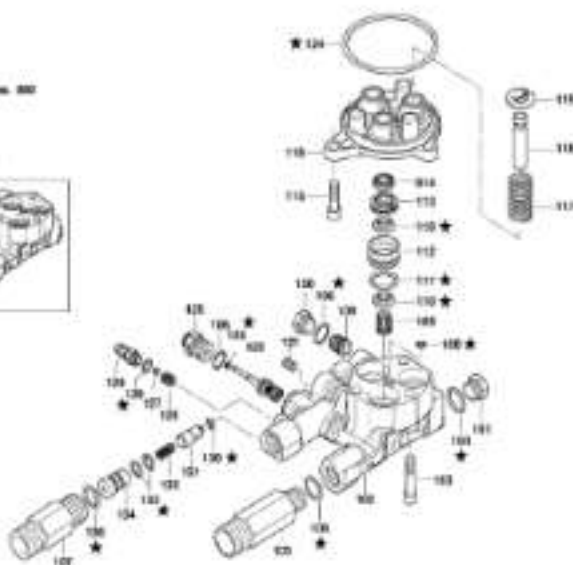
Please observe: Repairing, modifying and testing of electro-tools are to be performed professionally. The safety regulations according to IEC 61110, AFNOR and other regulations of the individual countries are to be observed. Subject to change.

The price list supersedes all previous editions. Prices are subject to change without any prior notice.

1 600 J10 5F0
3 600 J10 5F0 | BO

Fig. No. 3

★ = Part 800



Einzelteile enthalten
Werkzeuge, wenn
Werkzeuge werden
benötigt.

2 / 4

Model: 3 600 J10 5F0 = 220

Item	Pc	Order no.	Description	LF in EUR	Item	Pc	Order no.	Description	LF in EUR
112	2	F 016 L72 132	Bushing	88,00	402	1	F 016 L72 145	Woolle Plate	200,00
113	3	F 016 L72 133	Bushing	309,00	403	1	F 016 L72 146	Ball Bearing	311,00
114	3	F 016 L72 134	Screw	102,00	404	1	F 016 L72 053	Rotary shaft (to seal)	210,00
115	1	F 016 L72 067	Piston Guide	1.075,00	405	4	F 016 L72 142	Screw	30,00
117	3	F 016 L72 136	Spring	165,00	406	1	F 016 L72 054	Pump Housing	2347,00
118	1	F 016 F04 323	Piston 2 ST/DCK.	802,00	407	1	F 016 L72 160	Ball Bearing	338,00
119	3	F 016 L72 137	Woolle Plate	111,00	408	1	F 016 L72 161	Cover	395,00
120	2	F 016 L72 138	Plug	321,00	409	1	F 016 L72 162	Seal	31,00
121	1	F 016 L72 055	Screw	638,00	410	1	F 016 L72 163	O-Ring	67,00
122	1	F 016 L72 140	Spring	1.687,00	411	1	F 016 L72 164	Fan	343,00
123	1	F 016 L72 056	O-Ring	43,00	412	1	F 016 L72 055	Air Duct	647,00
124	1	F 016 L72 141	O-Ring	22,00	413	2	F 016 L72 165	Plain Washer	61,00
125	1	F 016 L72 142	Adapter	777,00	414	2	F 016 L72 167	Seal	38,00
126	1	F 016 L72 072	Spring	43,00	415	1	F 016 L72 168	O-Ring	61,00
127	1	F 016 L72 073	Ball	45,00	416	1	F 016 L72 169	Housing	606,00
128	1	F 016 L72 074	O-Ring	43,00	417	1	F 016 L72 160	Plain Washer	61,00
129	1	F 016 L72 143	Nipple	302,00	418	2	F 016 L72 161	Screw	30,00
130	1	F 016 L72 058	O-Ring	118,00	419	1	F 016 L72 339	Cover	315,00
131	1	F 016 L72 016	Valve Insert	231,00	420	1	F 016 L72 067	Switch	1.110,00
132	1	F 016 L72 017	Spring	230,00	421	1	F 016 L72 062	Grommet	108,00
133	2	F 016 L72 018	O-Ring	67,00	422	1	F 016 L72 344	Power supply cord	2.142,00
134	1	F 016 L72 019	Injector	602,00	423	1	F 016 L72 163	O-Ring	34,00
135	1	F 016 L72 020	Pump head	5.717,00	424	1	F 016 F09 020	Condenser	1.032,00
401	1	F 016 L72 144	Ball Bearing	259,00	425	1	F 016 L72 364	Motor	18.291,00

Please observe: Repairing, installing and testing of electric tools are to be performed professionally. The safety regulations according to IEC, EN, VDE, AFNOR and other regulations of the individual countries are to be observed. Subject to change.

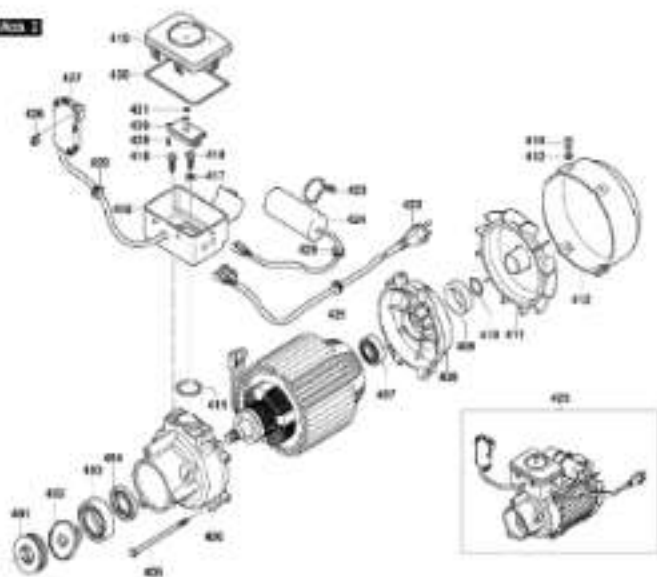
The price list supersedes all previous editions. Prices are subjected to change without any prior notice.

1 600 J10 5F0

3 600 J10 5F0

Fig. No. 3

Einzelteile sind nicht
Werkzeuge, sondern
Werkzeugteile. Bitte
nicht missbrauchen.



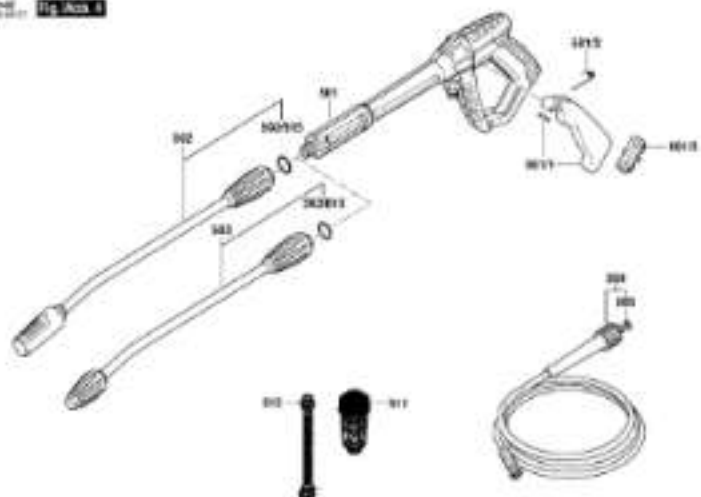
2 / 4

Model: 3 600 J10 5F0 = 220

Item	Pc	Order no.	Description	LF in EUR	Item	Pc	Order no.	Description	LF in EUR
426	1	F 016 L73 024	Clamp	267,00					
427	1	F 016 L73 027	Switch	173,00					
428	2	F 016 L73 028	Screw	35,00					
429	2	F 016 L73 030	Grommel	126,00					
430	1	F 016 L72 026	O-Ring	215,00					
431	1	F 016 L73 343	O-Ring	40,00					
501	1	F 016 L73 028	Trigger	1.919,00					
501/1	1	1 616 F46 742	Trigger	490,00					
501/2	1	1 616 F46 743	Spring	282,00					
501/3	1	1 616 F46 744	Lock	347,00					
502	1	F 016 L73 021	Wide Angle Nozzle	2.280,00					
502/0/1	1	1 616 F82 112	O-Ring 9,5X1,5	31,00					
503	1	F 016 L73 022	Roti Jet Fan Lance	3.985,00					
503/0/1	1	1 616 F82 112	O-Ring 9,5X1,5	31,00					
504	1	F 016 F04 523	Hose	4.634,00					
505	1	F 016 L72 026	O-Ring	87,00					
511	1	F 016 L73 351	Filter	1.440,00					
512	1	F 016 L73 352	Hose	1.236,00					
508	1	F 016 F02 211	Nameplate	0,00					
514	1	F 016 F04 324	Gear	620,00					
582	1	F 016 L73 357	Wear and Tear Part Set	614,00					

Please observe: Repairing, installing and using of electro-tools are to be performed professionally. The safety regulations according to IEC, EN, VDE, AFNOR and other regulations of the individual countries are to be observed. Subject to change.

The price list supersedes all previous editions. Prices are subjected to change without any prior notice.

49011117
www.bosch.com
Fig. 405.4Einzelteile ersetzen
Werkzeuge ersetzen
Werkzeuge ersetzen
Ersatzteile ergänzen

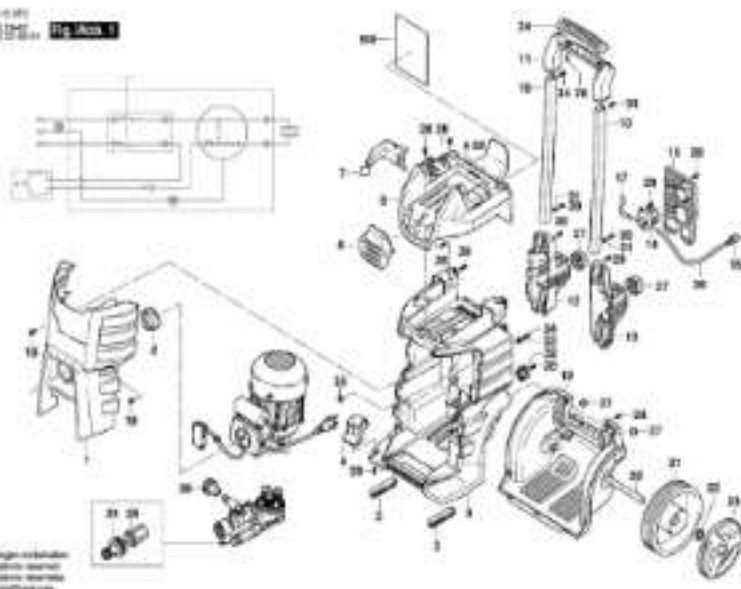
8 / 8

Model: 3 600 J10 SF0 = 220

Item	Pc.	Order no.	Description	LP in ITR	Item	Pc.	Order no.	Description	LP in ITR

1 600 J10 8F0
3 600 J10 8F0

Fig. No. 1



1 / 5

Model: 3 600 J10 8F0 = 250

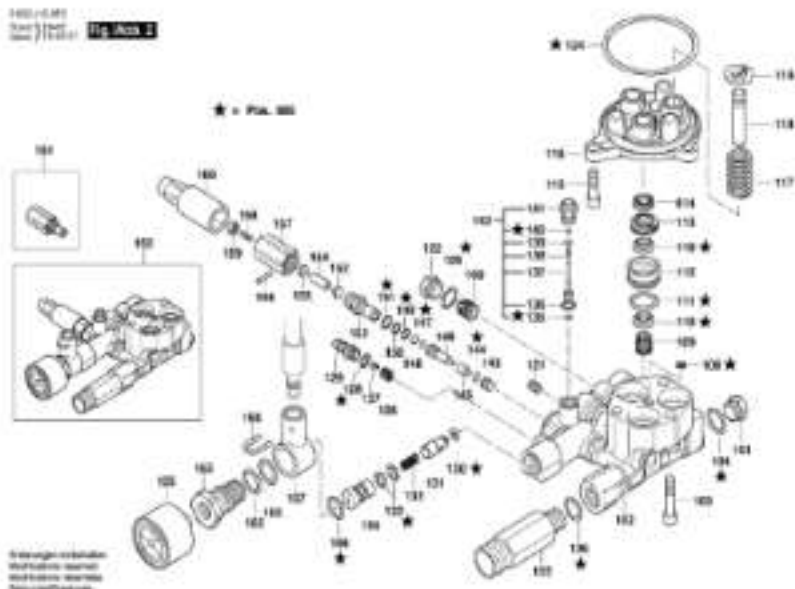
Item	Pc	Order no.	Description	LF in EUR	Item	Pc	Order no.	Description	LF in EUR
1	1	F 016 L73 028	Housing	1,647,00	26	1	F 016 L73 091	Filter	70,00
2	1	F 016 L73 026	Knob	201,00	27	2	F 016 L73 110	Rubber Base	313,00
3	2	F 016 L73 029	Rubber Base	367,00	28	18	F 016 L73 012	Screw	43,00
4	1	F 016 L73 025	Accessory Deposit	318,00	29	3	F 016 L73 107	Screw	30,00
5	1	F 016 L73 024	Housing	2,685,00	30	4	F 016 L73 101	Retaining Screw	50,00
6	1	F 016 L73 021	Cover	307,00	31	2	F 016 L73 061	Plain Washer	100,00
7	1	F 016 L73 010	Hook	368,00	32	1	F 016 L73 100	Grommet	34,00
8	1	F 016 L73 020	Housing part	1,947,00	33	4	F 016 L73 102	Plain Washer	100,00
10	2	F 016 L73 028	Rod	707,00	34	8	F 016 L73 711	Screw	31,00
11	1	F 016 L73 026	Handle	719,00	35	4	F 016 L73 100	Vibration Damper	119,00
12	1	F 016 L73 027	Accessory Deposit	691,00	36	1	F 016 L73 308	Suction Pipe	180,00
13	1	F 016 L73 026	Accessory Deposit	606,00	37	1	F 016 L73 278	Plug	54,00
14	1	F 016 L73 026	Adjustment Knob	367,00	38	1	F 016 L73 180	Waterly Knob	555,00
15	1	F 016 L73 040	Cover Plate	623,00	39	4	F 016 L73 710	Screw	30,00
16	1	F 016 L73 041	Water filter	202,00	101	1	F 016 L73 124	Plug	200,00
17	1	F 016 L73 026	Suction Pipe	134,00	102	1	F 016 L73 170	Pump head	2,800,00
18	2	F 016 L73 020	Screw	34,00	103	2	F 016 L73 126	Screw	60,00
19	1	F 016 L73 044	Housing	2,140,00	104	1	F 016 L73 028	O-Ring	43,00
20	1	F 016 F08 026	Wheel Shaft		105	1	F 016 F04 201	Adapter	794,00
21	2	F 016 F08 027	Wheel		106	5	F 016 L73 014	O-Ring	67,00
22	2	F 016 L73 047	Plain Washer	113,00	107	1	F 016 L73 367	Adapter	665,00
23	2	F 016 F08 028	Cover		108	1	F 016 L73 074	O-Ring	43,00
24	1	F 016 L73 102	Safety Cover	404,00	109	8	F 016 L73 120	Valve	400,00
25	1	F 016 L73 010	Hose Coupling	126,00	110	8	F 016 L73 130	Seal	130,00

Please observe: Repairing, modifying and testing of electro-tools are to be performed professionally. The safety regulations according to IEC 61110, AFNOR and other regulations of the individual countries are to be observed. Subject to change.

The price list supersedes all previous editions. Prices are subject to change without any prior notice.

1 600 J10 8F0
3 600 J10 8F0 | BO

Fig. No. 3



2 / 8

Model: 3 600 J10 8F0 = 256

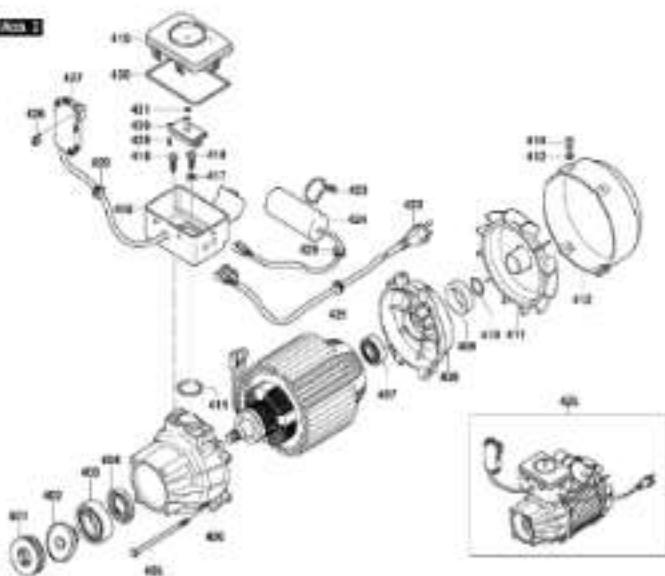
Item	Pc	Order no.	Description	LF in EUR	Item	Pc	Order no.	Description	LF in EUR
111	2	F 016 L72 131	O-Ring	87,00	136	1	F 016 L72 087	Spring	112,00
112	3	F 016 L72 132	Bushing	884,00	139	1	F 016 L72 088	Plain Washer	88,00
113	3	F 016 L72 133	Bushing	309,00	140	1	F 016 L72 089	O-Ring	43,00
114	2	F 016 L72 134	Screen	103,00	141	1	F 016 L72 070	Adapter	280,00
115	1	F 016 L72 135	Piston Guide	682,00	142	1	F 016 L72 071	Adapter	709,00
117	3	F 016 L72 136	Spring	185,00	143	1	F 016 L72 174	Threaded Bushing	730,00
118	1	F 016 P54 303	Piston 3 RTUCK	808,00	144	1	F 016 L72 030	O-Ring	87,00
119	3	F 016 L72 137	Woolite Plate	111,00	145	1	F 016 L72 031	Piston	591,00
121	1	F 016 L72 138	Screen	388,00	146	1	F 016 L72 032	Piston	834,00
122	1	F 016 L72 139	Plug	307,00	147	1	F 016 L72 033	O-Ring	87,00
124	1	F 016 L72 141	O-Ring	82,00	148	1	F 016 L72 030	O-Ring	87,00
125	1	F 016 L72 046	Pressure gauge	780,00	149	1	F 016 L72 034	Spacer Ring	90,00
126	1	F 016 L72 072	Spring	43,00	150	1	F 016 L72 038	O-Ring	43,00
127	1	F 016 L72 073	Ball	43,00	151	1	F 016 L72 014	O-Ring	87,00
128	1	F 016 L72 074	O-Ring	43,00	152	1	F 016 L72 026	Piston Guide	788,00
129	1	F 016 L72 143	Nozzle	309,00	153	1	F 016 L72 037	Woolite Plate	188,00
130	1	F 016 L72 018	O-Ring	31,00	154	1	F 016 L72 038	Spring	173,00
131	1	F 016 L72 018	Valve insert	591,00	155	1	F 016 L72 039	Woolite Plate	107,00
132	1	F 016 L72 017	Spring	236,00	156	1	F 016 L72 040	Pin	57,00
133	2	F 016 L72 018	O-Ring	87,00	157	1	F 016 L72 041	Insert	734,00
134	1	F 016 L72 042	Insert	594,00	158	1	F 016 L72 042	Plug	43,00
135	1	F 016 L72 085	O-Ring	43,00	159	1	F 016 L72 043	Nut	43,00
136	1	F 016 L72 030	O-Ring	87,00	160	1	F 016 L72 040	Knob	321,00
137	1	F 016 L72 086	Pin	377,00	161	1	F 016 P54 388	Valve	3.000,00

Please observe: Replacing, installing and testing of electro-tools are to be performed professionally. The safety regulations according to IEC, EN, VDE, AFNOR and other regulations of the individual countries are to be observed. Subject to change.

The price list supersedes all previous editions. Prices are subject to change without any prior notice.

1 600 J10 8F0

3 600 J10 8F0 | BO



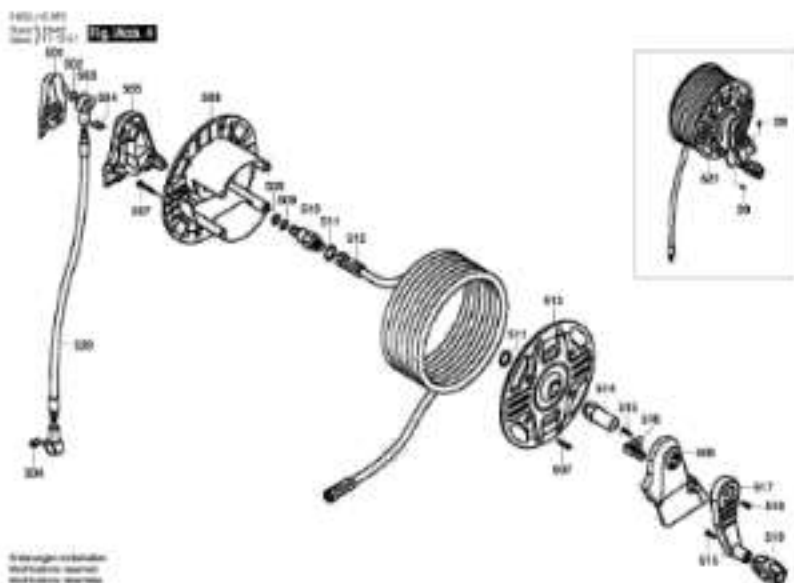
2 / 8

Model: 3 600 J10 8F0 = 236

Item	Pc	Order no.	Description	LF in EUR	Item	Pc	Order no.	Description	LF in EUR
182	1	F 016 702 274	Pump head	2312,00	420	1	F 016 L73 087	Switch	1118,00
183	1	F 016 L73 382	Plug	194,00	421	1	F 016 L73 040	Grommet	140,00
184	1	F 016 L73 300	Clamp	245,00	422	1	F 016 L73 344	Power supply cord	2.142,00
185	2	F 016 L73 215	O-Ring	43,00	423	1	F 016 L73 183	O-Ring	54,00
186	1	F 016 L73 704	O-Ring	43,00	424	1	F 016 P05 927	Condenser	407,00
401	1	F 016 L73 144	Ball Bearing	630,00	425	1	F 016 L73 388	Motor	20.807,00
402	1	F 016 L73 178	Wobble Plate	463,00	426	1	F 016 L73 024	Clamp	365,00
403	1	F 016 L73 148	Ball Bearing	611,00	427	1	F 016 L73 083	Electronic Module	2.038,00
404	1	F 016 L73 083	Rotary shaft lip seal	212,00	428	2	F 016 L73 088	Screw	38,00
405	4	F 016 L73 177	Screw	158,00	429	2	F 016 L73 080	Grommet	140,00
406	1	F 016 L73 149	Pump	2.087,00	430	1	F 016 L73 280	O-Ring	213,00
407	1	F 016 L73 180	Ball Bearing	608,00	431	1	F 016 L73 343	O-Ring	48,00
408	1	F 016 L73 191	Cover	385,00	501	1	F 016 L73 357	Cover	204,00
409	1	F 016 L73 182	Seal	91,00	502	1	F 016 L73 389	Ring	48,00
410	1	F 016 L73 183	O-Ring	87,00	503	1	F 016 L73 360	Adapter	366,00
411	1	F 016 L73 194	Part	343,00	504	2	F 016 L73 370	Clamp	242,00
412	1	F 016 L73 386	Air duct	947,00	505	1	F 016 L73 371	Cover	434,00
413	2	F 016 L73 196	Flam Washer	81,00	506	1	F 016 L73 340	Adapter	653,00
414	2	F 016 L73 197	Screw	38,00	507	1	F 016 L73 373	Screw	38,00
415	1	F 016 L73 198	O-Ring	81,00	508	1	F 016 L73 374	Cover	751,00
416	1	F 016 L73 199	Housing	604,00	509	2	F 016 L73 101	O-Ring	87,00
417	1	F 016 L73 190	Flam Washer	81,00	510	1	F 016 L73 378	Adapter	1.873,00
418	3	F 016 L73 191	Screw	38,00	511	1	F 016 L73 386	Ring	42,00
419	1	F 016 L73 338	Cover	316,00	512	1	F 016 L73 370	High-Pressure Hose	1.943,00

Please observe: Repairing, modifying and testing of electro-tools are to be performed professionally. The safety regulations according to IEC 61140, AFNOR and other regulations of the individual countries are to be observed. Subject to change.

The price list supersedes all previous editions. Prices are subjected to change without any prior notice.



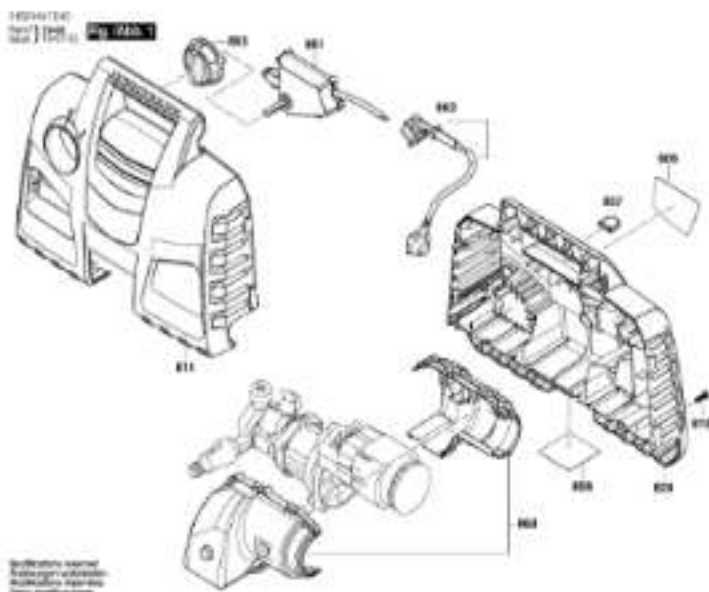
4 / 5

Model: 3 600 J10 8F0 = 250

Item	Pc	Order no.	Description	LF in EUR	Item	Pc	Order no.	Description	LF in EUR
913	1	F 016 L73 377	Cover	654,00					
914	1	F 016 L73 378	Hull	471,00					
915	1	F 016 L73 383	Screw	34,00					
916	1	F 016 L73 382	Hook	248,00					
917	1	F 016 L73 376	Lever	485,00					
918	1	F 016 L73 385	Screw	42,00					
919	1	F 016 L73 361	Knob	163,00					
920	1	F 016 L73 351	High-Pressure Hose	1.825,00					
921	1	F 016 L73 382	Hose Reel Carrier	11.700,00					
922	1	F 016 L73 388	Trigger	1.819,00					
923	1	F 016 R49 742	Trigger	498,00					
924	1	F 016 R49 743	Spring	285,00					
925	1	F 016 R49 744	Lock	347,00					
926	1	F 016 L73 327	Jet Pipe	2.254,00					
928/915	1	F 016 P82 113	O-Ring 8,2X1,5	31,00					
929	1	F 016 L73 354	Roll Jet Fan Lance	3.079,00					
929/915	1	F 016 P82 113	O-Ring 8,2X1,5	31,00					
911	1	F 016 L73 351	Filter	1.448,00					
912	1	F 016 L73 382	Hose	1.239,00					
928	1	F 016 P02 917	Nameplate						
914	1	F 016 P04 324	Seal	620,00					
930	1	F 016 L73 327	Wear and Tear Part Set	614,00					

Please observe: Repairing, installing and testing of electric tools are to be performed professionally. The safety regulations according to IEC, EN, VDE, AFNOR and other regulations of the individual countries are to be observed. Subject to change.

The price list supersedes all previous editions. Prices are subjected to change without any prior notice.



1 / 3

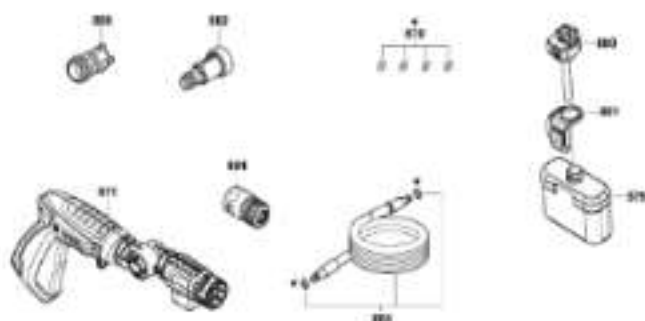
Model: 3 600 HA7 EF0 = 230

Item	Pc	Order no.	Description	LF in EUR	Item	Pc	Order no.	Description	LF in EUR
801	1	F 016 F05 124	Motor	2,200,00	822	1	F 016 F05 130	Water filter	10,00
802	1	F 016 F05 074	Nameplate		823	1	F 016 F04 503	High-Pressure Hose 3 M	600,00
803	1	F 016 F05 120	Washing Lance		824	1	F 016 F05 462	Hose Coupling	30,00
810	7	F 016 F04 310	Torx BH cap screw	40,00	825	1	F 016 F05 061	Water filter	10,00
811	1	F 016 F05 125	front cover	600,00	826	1	F 016 F05 122	Water filter	
820	1	F 016 F05 127	Cover	600,00					
842	1	F 016 F05 400	O-Ring	40,00					
850	1	F 016 F04 459	O-Ring	250,00					
851	1	F 016 F04 501	Pump head	010,00					
852	1	F 016 F05 171	Piston Guide	405,00					
853	1	F 016 F04 792	Pump Unit	494,00					
854	1	F 016 F04 303	Thrust Bearing	175,00					
855	1	F 016 F05 129	Gear Box	901,00					
856	1	F 016 F04 308	Non-Return Valve	44,00					
857	1	F 016 F04 501	Clip	41,00					
858	1	F 016 F05 130	Motor cover	250,00					
859	1	F 016 F05 207	Switch Box	600,00					
862	1	F 016 F05 174	Power supply cord	830,00					
863	1	F 016 F04 500	Switch Actuator	191,00					
870	1	F 016 F04 460	Seal Kit 2 X (5.3 X 1.6), 3 X	247,00					
871	1	F 016 F05 131	Trigger	691,00					
872	1	F 016 F05 036	Bottle 450ML	607,00					
880	1	F 016 F05 132	Connector	340,00					
881	1	F 016 F04 792	Clip	30,00					

Please observe: Repairing, modifying or using of electro-tools are to be performed professionally. The safety regulations according to IEC, EN, VDE, AFNOR and other regulations of the individual countries are to be observed. Subject to change.

The price list supersedes all previous editions. Prices are subject to change without any prior notice.

IDENTIFY
the | 3 600 HA7 EFD | Fig. 1



Bosch Power Tools
Maintenance and repair
instructions for the
user

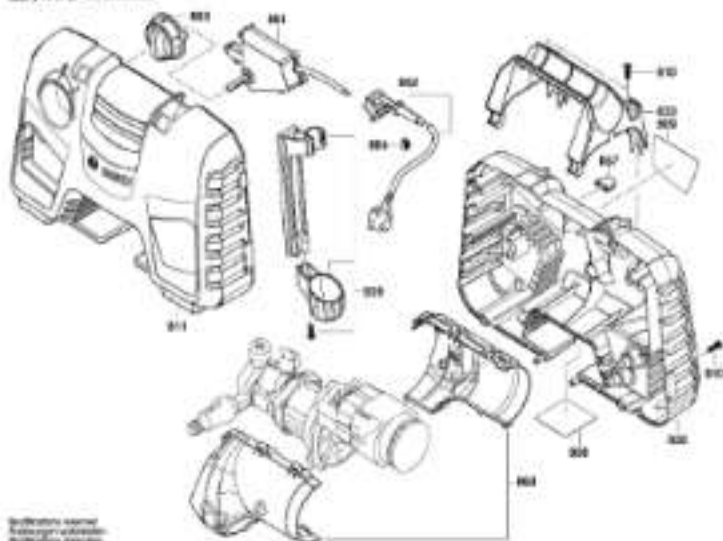
2 / 3

Model: 3 600 HA7 EFD = 230

Item	Pc	Order no.	Description	LF in ITR	Item	Pc	Order no.	Description	LF in ITR

Please observe: Repairing, modifying and testing of electro-tools are to be performed professionally. The safety regulations according to IEC, EN, VDE, AFNOR and other regulations of the individual countries are to be observed. Subject to change.

The price list supersedes all previous editions. Prices are subjected to change without any prior notice.

EXPLOSION
 DRAWING

 Explosions-geveert
 Explosions-geveert
 Explosions-geveert
 Explosions-geveert

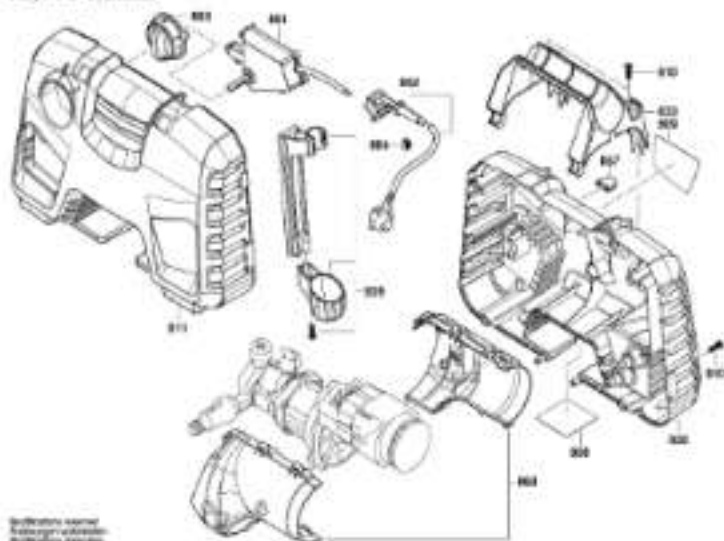
1 / 3

Model: 3 600 HA7 FF1 = 230

Item	Pc	Order no.	Description	LF in EUR	Item	Pc	Order no.	Description	LF in EUR
807	1	F 016 F04 804	Motor	2 100,00	871	1	F 016 F04 736	Lance	300,00
808	1	F 016 F04 878	Nameplate		874	1	F 016 F04 401	Wide Angle Nozzle WHITE	
809	1	F 016 F04 811	Warning Label		875	1	F 016 F04 362	Nozzle WHITE	407,00
810	7	F 016 F04 810	Tank BH cap screw	45,00	876	1	F 016 F04 036	Bottle 450ML	607,00
811	1	F 016 F04 131	front cover	740,00	880	1	F 016 F04 029	high pressure foam nozzle	354,00
820	1	F 016 F04 792	Cover	600,00	881	1	F 016 F04 790	Clip	30,00
822	1	F 016 F04 793	Carrying Handle	101,00	882	1	F 016 F04 136	Water filter	101,00
826	1	F 016 F04 807	Holder	87,00	883	1	F 016 F04 063	high-pressure hose 2 M.	600,00
843	1	F 016 F04 402	O-Ring	40,00	884	1	F 016 F04 482	Hose Coupling	60,00
860	1	F 016 F04 458	O-Ring	20,00	885	1	F 016 F04 881	Water filter	101,00
881	1	F 016 F04 801	Pump head	510,00	888	1	F 016 F04 182	Water filter	
882	1	F 016 F04 171	Piston Guide	400,00					
883	1	F 016 F04 796	Pump Unit	424,00					
884	1	F 016 F04 803	Thrust Bearing	170,00					
885	1	F 016 F04 882	Gear Box						
886	1	F 016 F04 806	Non-Return Valve	44,00					
887	1	F 016 F04 891	Clip	41,00					
888	1	F 016 F04 808	Motor cover	240,00					
889	1	F 016 F04 797	Switch Box	620,00					
890	1	F 016 F04 818	Power supply cord	601,00					
893	1	F 016 F04 805	Switch Actuator	180,00					
894	1	F 016 F04 432	Clip	87,00					
870	1	F 016 F04 462	Seal Kit 2 X (S 3 X 1 S), 2 X	247,00					
871	1	F 016 F04 795	Trigger	640,00					

Please observe: Repairing, modifying and testing of electro-tools are to be performed professionally. The safety regulations according to IEC, EN, VDE, AFNOR and other regulations of the individual countries are to be observed. Subject to change.

The price list supersedes all previous editions. Prices are subjected to change without any prior notice.

0 609 A7 9F1
 Bosch | 2015
 06 910 00 000

 Bildtitel: Bosch
 Bildnummer: 06 910 00 000
 Bildgröße: 1000 x 1000
 Bildformat: PNG

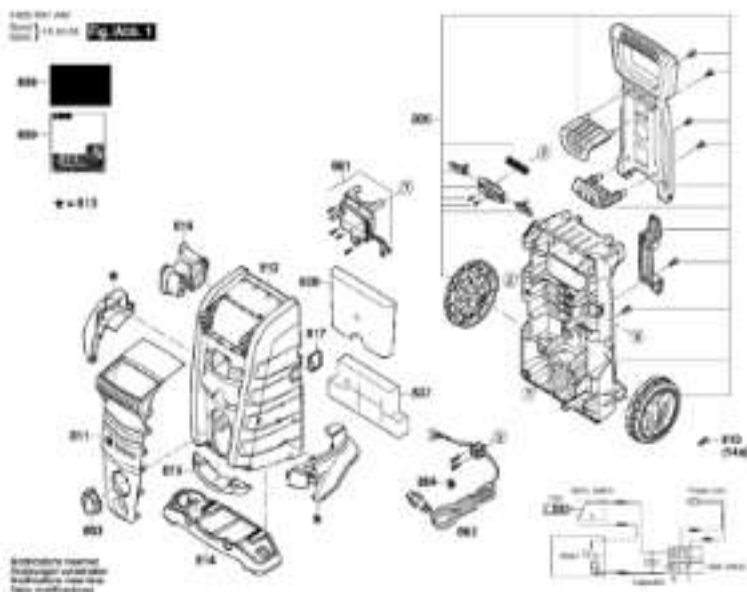
1 / 3

Model: 3 600 HA7 9F1 + 230

Item	Pc	Order no.	Description	LF in EUR	Item	Pc	Order no.	Description	LF in EUR
301	1	F 016 P04 431	Motor	2 400,00	371	1	F 016 P04 795	Lance	300,00
302	1	F 016 P04 031	Nameplate		374	1	F 016 P04 370	Wide Angle Nozzle RED	
303	1	F 016 P04 433	Washing Label		375	1	F 016 P04 030	Bottle 400ML	307,00
310	6	F 016 P04 210	Torx BH cap screw	40,00	380	1	F 016 P04 030	High pressure foam nozzle	307,00
311	1	F 016 P04 122	front cover		381	1	F 016 P04 795	Clip	30,00
320	1	F 016 P04 792	Cover	600,00	382	1	F 016 P04 130	Water filter	101,00
321	1	F 016 P04 793	Carrying Handle	101,00	383	1	F 016 P04 010	High-Pressure Hose 5 M	950,00
326	1	F 016 P04 307	Holder	67,00	384	1	F 016 P04 462	Hose Coupling	60,00
343	1	F 016 P04 402	O-Ring	40,00	385	1	F 016 P04 001	Water filter	101,00
350	1	F 016 P04 459	O-Ring	250,00	386	1	F 016 P04 182	Water filter	
351	1	F 016 P04 430	Pump head	694,00					
352	1	F 016 P04 790	Piston Guide	400,00					
353	1	F 016 P04 796	Pump Unit	424,00					
354	1	F 016 P04 303	Thrust Bearing	170,00					
355	1	F 016 P04 302	Gear Box	793,00					
356	1	F 016 P04 606	Non-Return Valve	44,00					
357	1	F 016 P04 591	Clip	41,00					
360	1	F 016 P04 608	Motor cover	240,00					
361	1	F 016 P04 132	Switch Box	770,00					
362	1	F 016 P04 123	Power supply cord						
363	1	F 016 P04 605	Switch Actuator	192,00					
364	1	F 016 P04 432	Clip	67,00					
370	1	F 016 P04 460	Seal Kit 2 X (S 3 X 1 S), 2 X	247,00					
371	1	F 016 P04 795	Trigger	640,00					

Please observe: Repairing, modifying and testing of electro-tools are to be performed professionally. The safety regulations according to IEC, EN, VDE, AFNOR and other regulations of the individual countries are to be observed. Subject to change.

The price list supersedes all previous editions. Prices are subjected to change without any prior notice.

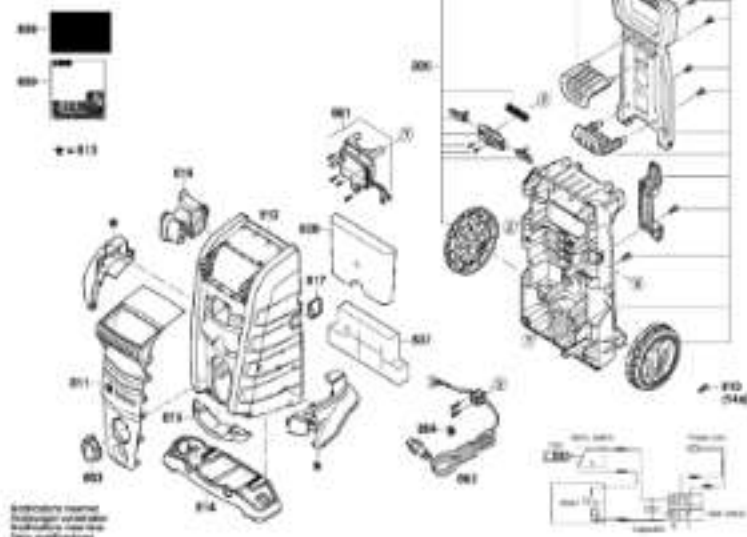


Model: 3 600 HA7 AF0 = 230

Item	Pc	Order no.	Description	LF in EUR	Item	Pc	Order no.	Description	LF in EUR
301	1	F 016 F03 016	Motor	2 195,00	305	1	F 016 F03 005	Motor cover	200,00
302	1	F 016 F03 035	Nameplate		301	1	F 016 F04 430	Switch Box	2 004,00
303	1	F 016 F03 033	Warning Label		302	1	F 016 F04 400	Power supply cord IEC	500,00
310	16	F 016 F04 210	Torx BH cap screw	48,00	303	1	F 016 F04 910	Switch Actuator	180,00
311	1	F 016 F03 253	front cover	650,00	304	1	F 016 F03 432	Clip	57,00
312	1	F 016 F03 003	front cover	1 140,00	370	1	F 016 F04 403	Seal Kit 2 X (2.3 X 1.6), 2 X	247,00
313	1	F 016 F03 004	front cover	1 140,00	371	1	F 016 F03 030	Trigger	1 075,00
314	1	F 016 F03 005	front cover	1 140,00	372	1	F 016 F03 135	Lance	350,00
315	1	F 016 F03 006	front cover	130,00	373	1	F 016 F03 073	2-in-1-nozzle RED	770,00
316	1	F 016 F04 453	front cover	171,00	374	1	F 016 F03 035	Bottle 450ML	507,00
317	1	F 016 F03 007	Oil	39,00	380	1	F 016 F03 030	High pressure foam nozzle	307,00
320	1	F 016 F03 280	Cover	1 140,00	381	1	F 016 F04 700	Clip	28,00
327	1	F 016 F03 018	Foam Panel	394,00	382	1	F 016 F03 052	Water filter	
328	1	F 016 F03 019	Foam Panel	394,00	383	1	F 016 F03 013	High-Pressure Hose 2 M.	500,00
342	1	F 016 F03 637	O-Ring Ø 63 X 2,65 mm	40,00	384	1	F 016 F03 400	Hose Coupling	90,00
343	1	F 016 F03 402	O-Ring	49,00	388	1	F 016 F03 061	Water filter	101,00
360	1	F 016 F04 400	O-Ring	380,00	389	1	F 016 F03 100	Water filter	
361	1	F 016 F03 012	Pump head	690,00					
382	1	F 016 F04 441	Friction Guide	111,00					
383	1	F 016 F03 011	Pump unit	660,00					
384	1	F 016 F04 803	Thrust Bearing	175,00					
385	1	F 016 F03 010	Gear Box	1 100,00					
388	1	F 016 F04 400	Non-Return Valve	390,00					
387	1	F 016 F04 051	Clip	41,00					

1 600 HA7 BK0

Part No. **Fig. Acc. 1**



Beobachten Sie die
 Bedienungsanleitung
 des Motors, bevor Sie
 den Hochdruckreiniger
 verwenden.

1 / 3

Model: 3 600 HA7 BK0 = 230

Item	Pc	Order no.	Description	LF in EUR	Item	Pc	Order no.	Description	LF in EUR
301	1	F 016 F05 007	Motor	4,634,00	301	1	F 016 F05 914	Motor cover	217,00
302	1	F 016 F05 030	Nameplate		301	1	F 016 F04 430	Switch Box	2,304,00
303	1	F 016 F05 031	Warning Label		302	1	F 016 F04 454	Power supply cord EU	735,00
310	14	F 016 F04 210	Torx BH cap screw	48,00	303	1	F 016 F04 912	Switch Actuator	142,00
311	1	F 016 F05 022	front cover	540,00	304	1	F 016 F05 432	Clip	57,00
312	1	F 016 F05 023	front cover	1,142,00	370	1	F 016 F04 468	Seal Kit 2 X (2.3 X 1.6), 2 X	247,00
313	1	F 016 F05 024	front cover	1,142,00	371	1	F 016 F05 030	Trigger	1,075,00
314	1	F 016 F05 025	front cover	1,142,00	372	1	F 016 F05 135	Lance	359,00
315	1	F 016 F05 026	front cover	132,00	373	1	F 016 F05 373	2-in-1-nozzle RED	772,00
316	1	F 016 F04 452	front cover	171,00	374	1	F 016 F05 035	Bottle 450ML	507,00
317	1	F 016 F05 027	Oil	39,00	380	1	F 016 F05 030	High pressure foam nozzle	357,00
320	1	F 016 F05 280	Cover	1,142,00	381	1	F 016 F04 766	Clip	38,00
327	1	F 016 F05 018	Foam Panel	394,00	382	1	F 016 F05 052	Water filter	
328	1	F 016 F05 019	Foam Panel	394,00	383	1	F 016 F05 033	High-Pressure Hose 5M	800,00
342	1	F 016 F05 637	O-Ring Ø 63 X 2.65 MM	42,00	384	1	F 016 F05 480	Hose Coupling	94,00
343	1	F 016 F05 432	O-Ring	49,00	388	1	F 016 F05 051	Water filter	101,00
360	1	F 016 F04 462	O-Ring	382,00	389	1	F 016 F05 132	Water filter	
361	1	F 016 F05 024	Pump head	781,00					
382	1	F 016 F04 441	Friction Guide	111,00					
383	1	F 016 F04 440	Pump unit	698,00					
384	1	F 016 F05 023	Thrust Bearing	607,00					
385	1	F 016 F04 447	Gear Box	1,435,00					
386	1	F 016 F04 460	Non-Return Valve	390,00					
387	1	F 016 F04 051	Clip	41,00					

Please observe: Repairing, modifying and testing of electric tools are to be performed professionally. The safety regulations according to IEC, EN, VDE, AFNOR and other regulations of the individual countries are to be observed. Subject to change.
 The price list supersedes all previous editions. Prices are subjected to change without any prior notice.

EXPLOSION VIEW
Fig. 100.1

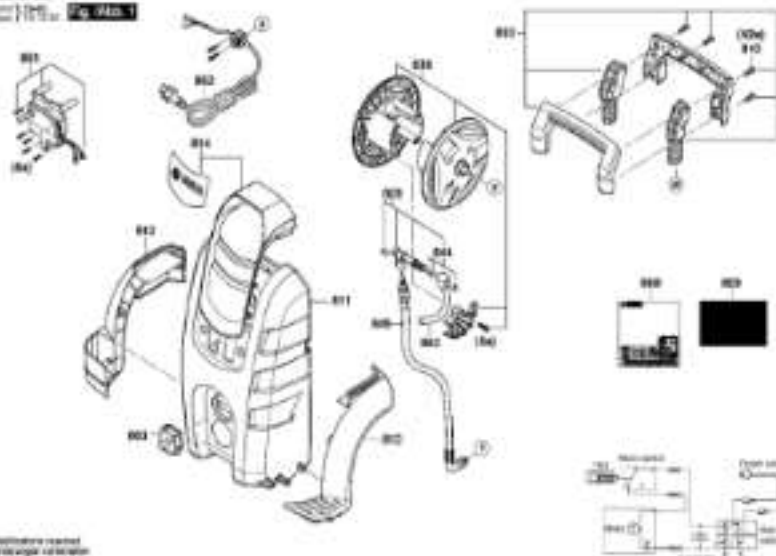


Illustration without
accessories and
optional devices.
Item modifications

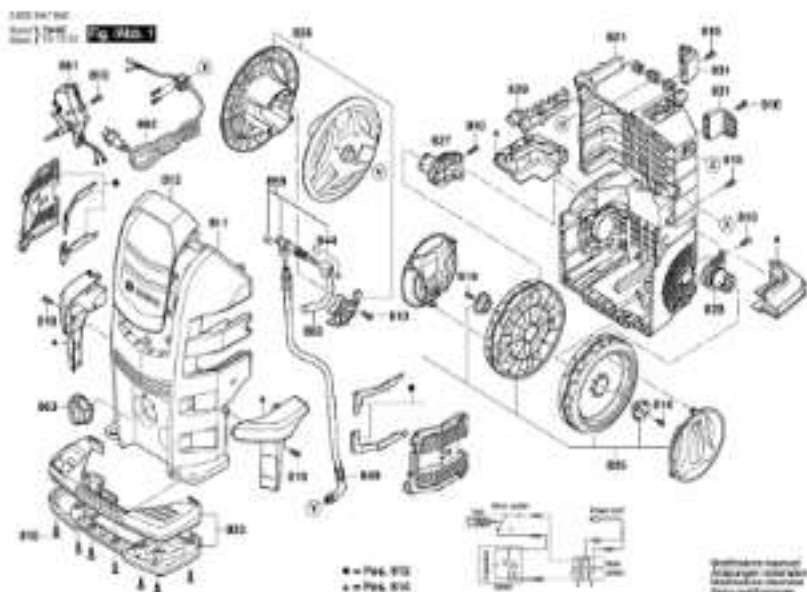
1 / 4

Model: 3 000 HA7 DF0 = 230

Item	Pc	Order no.	Description	LF in EUR	Item	Pc	Order no.	Description	LF in EUR
801	1	F 016 F04 841	Motor	8 200,00	860	1	F 016 F04 861	Connector	4 000,00
802	1	F 016 F04 895	Nameplate		861	1	F 016 F04 862	Motor cover	360,00
803	1	F 016 F04 430	Washing Label		801	1	F 016 F04 830	Switch Box	2 137,00
810	40	F 016 F04 810	Torx BH cap screw	48,00	862	1	F 016 F04 830	Power supply cord IAG	1 170,00
811	1	F 016 F04 811	front cover	1 034,00	863	1	F 016 F04 813	Switch Actuator	160,00
812	1	F 016 F04 812	front cover	280,00	864	1	F 016 F04 801	Dip	360,00
813	1	F 016 F04 813	front cover	340,00	865	1	F 016 F04 184	Capacitor	475,00
814	1	F 016 F04 814	front cover	690,00	866	1	F 016 F04 840	Bearing set	369,00
820	1	F 016 F04 820	Cover	2 000,00	870	1	F 016 F04 468	Steel Kit 2 X (5.3 X 1.6), 2 X	247,00
821	1	F 016 F04 821	Cover	600,00	871	1	F 016 F04 211	Trigger	1 488,00
822	1	F 016 F04 104	Handle	1 000,00	872	1	F 016 F04 281	Lance	870,00
823	1	F 016 F04 843	Set Of Handles	410,00	873	1	F 016 F04 287	Wide Angle Nozzle	
825	1	F 016 F04 208	Hose Reel Carrier	1 800,00	875	1	F 016 F04 362	Nozzle WHITE	400,00
842	1	F 016 F04 402	O-Ring	49,00	876	1	F 016 F04 279	Solite	330,00
844	1	F 016 F04 403	O-Ring Kit	81,00	881	1	F 016 F04 881	High pressure foam nozzle	370,00
847	1	3 000 HA7 040	High Pressure Cleaner		882	1	F 016 F04 882	Water filter	
848	1	F 016 F04 048	Nozzle Plate	600,00	883	1	F 016 F04 887	High-Pressure Hose 2M	1 800,00
850	1	F 016 F04 850	High-Pressure Hose 0.4M	1 170,00	884	1	F 016 F04 480	Hose Coupling	60,00
851	1	F 016 F04 458	O-Ring	280,00	885	1	F 016 F04 881	Water filter	101,00
852	1	F 016 F04 843	Pump head	1 000,00	886	1	F 016 F04 182	Water filter	
853	1	F 016 F04 842	Piston Guide	741,00					
858	1	F 016 F04 440	Pump unit	680,00					
859	1	F 016 F04 480	Non-Return Valve	390,00					
859	1	F 016 F04 821	Pump Mounting	217,00					

Please observe: Repairing, modifying and testing of electro-tools are to be performed by a professional. The safety regulations according to IEC, EN, VDE, AFNOR and other regulations of the individual countries are to be observed. Subject to change.

The price list supersedes all previous editions. Prices are subject to change without any prior notice.



1 / 8

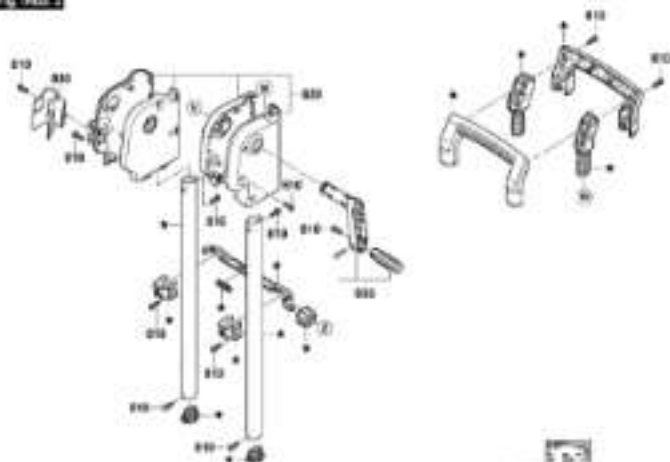
Model: 3 600 HA7 8F0 = 230

Item	Pc	Order no.	Description	LF in EUR	Item	Pc	Order no.	Description	LF in EUR
301	1	F 016 F02 427	Motor	11 600,00	347	1	F 016 F02 438	Woolite Plate	240,00
302	1	F 016 F02 192	Nameplate		348	1	F 016 F02 439	Washer	750,00
303	1	F 016 F02 431	Warning Label		349	1	F 016 F02 511	High-Pressure Hose	1 100,00
310	47	F 016 F04 210	Torr SH cap screw	45,00	350	1	F 016 F02 456	Seal Kit	30,00
311	1	F 016 F02 452	front cover	2 201,00	351	1	F 016 F02 455	Pump head	300,00
312	1	F 016 F02 453	front cover		352	1	F 016 F04 247	Platen Guide	260,00
313	1	F 016 F02 502	front cover		353	1	F 016 F02 483	Pump unit	700,00
314	1	F 016 F02 487	front cover	811,00	355	1	F 016 F02 484	Non-Return Valve	240,00
320	1	F 016 F02 466	Cover	400,00	356	1	F 016 F04 501	Connector	4 000,00
321	1	F 016 F02 472	Cover	1 504,00	358	1	F 016 F04 246	Motor cover	560,00
322	1	F 016 F02 476	Cover	177,00	361	1	F 016 F02 460	Switch Box	750,00
325	1	F 016 F02 480	Wheel	692,00	362	1	F 016 F02 460	Power supply cord	
327	1	F 016 F02 470	Axle	80,00	363	1	F 016 F04 262	Switch Actuator	190,00
328	1	F 016 F02 473	Axle	70,00	364	1	F 016 F02 501	Clip	300,00
329	1	F 016 F02 463	Hook	280,00	365	1	F 016 F02 188	Capacitor	700,00
330	1	F 016 F02 471	Hook	54,00	368	1	F 016 F02 475	Steering set	421,00
331	2	F 016 F02 474	Hook	54,00	369	1	F 016 F02 470	Fan	600,00
333	1	F 016 F02 485	Handle	400,00	370	4	F 016 F04 480	Cap	380,00
334	1	F 016 F02 487	Handle	1 199,00	371	1	F 016 F04 485	Steel Kit 2 X (5.3 X 1.8), 2 X	247,00
336	1	F 016 F04 516	Set Of Handles	410,00	371	1	F 016 F02 571	Trigger	1 600,00
338	1	F 016 F02 491	Hose Reel Carrier	320,00	372	1	F 016 F02 281	Lance	670,00
343	1	F 016 F02 492	O-Ring	40,00	374	1	F 016 F02 460	Fixed fan jet nozzle 60°	940,00
344	1	F 016 F02 433	O-Ring Kit	81,00	377	1	F 016 F02 458	Vario Jet Fan Lance	940,00
345	1	F 016 F02 512	Washer	54,00	378	1	F 016 F02 460	Roti Jet Fan Lance	950,00

Please observe: Repairing, modifying and testing of electric tools are to be performed by a qualified professional. The safety regulations according to IEC, EN, VDE, AFNOR and other regulations of the individual countries are to be observed. Subject to change.

The price list supersedes all previous editions. Prices are subject to change without any prior notice.

3 600 HA7 8F0
Accessories
Fig. 10a.1



Bestimmte Ersatzteile sind nicht in allen Ländern verfügbar. Bitte kontaktieren Sie Ihren Fachhändler.

* = Foto, 80%



800

800

2 / 4

Model: 3 600 HA7 8F0 = 230

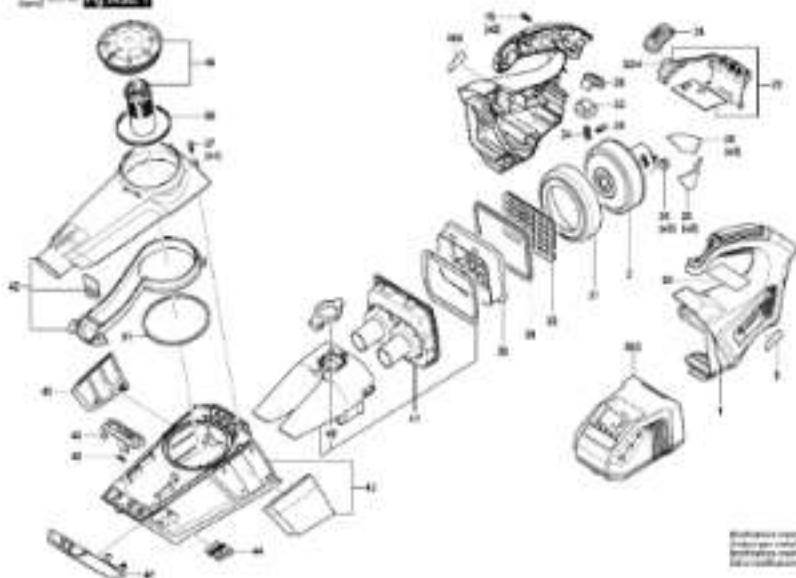
Item	Pc	Order no.	Description	LF in EUR	Item	Pc	Order no.	Description	LF in EUR
870	1	F 016 F05 074	Nozzle	33,00					
880	1	F 016 F05 034	High pressure foam nozzle						
882	1	F 016 F05 005	Water filter						
883	1	F 016 F05 010	High-Pressure Hose	3 000,00					
884	1	F 016 F05 492	Hose Coupling	99,00					
885	1	F 016 F05 051	Water filter	101,00					
886	1	F 016 F05 162	Water filter						

Please observe: Repairing, modifying and using of electric tools are to be performed professionally. The safety regulations according to IEC, EN, VDE, AFNOR and other regulations of the individual countries are to be observed. Subject to change.

The price list supersedes all previous editions. Prices are subjected to change without any prior notice.

1 611 929 900

2020 04 07

Fig. 1/10

 Bildschirmaufnahme
 nicht maßstabgetreu
 für Ersatzteile

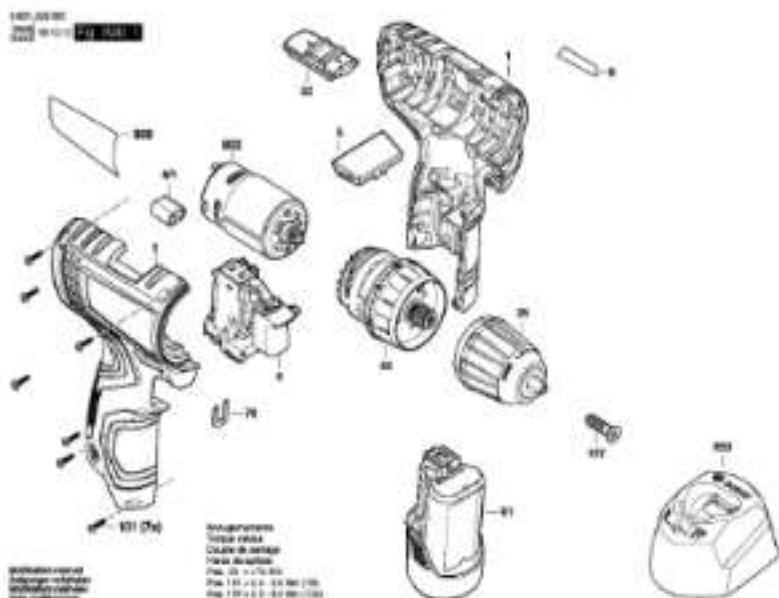
1 / 2

Model: 3 601 J0E 2L0 - 18

Item	Pc	Order no.	Description	LF in EUR	Item	Pc	Order no.	Description	LF in EUR
1	1	1 610 P82 076	Motor Housing	547,00	45	1	1 610 P82 101	Cover	57,00
2	1	1 610 P82 077	DC motor	1 187,00	47	1	1 610 P82 065	front cover	125,00
3	1	1 610 P82 055	Manufacturers nameplate		48	1	1 610 P82 066	Sliding Block	33,00
15	3	1 610 P82 073	Tapping Screws	33,00	49	1	1 610 P82 067	Seal	33,00
22	1	1 610 P82 105	Electronic Module	1 291,00	51	1	1 610 P82 068	Sealing Ring	33,00
22-A	1	2 607 323 305	On-Off Switch	487,00	52	1	1 610 P82 100	Sealing Ring	33,00
34	1	1 610 P82 074	Switch Button	51,00	53	1	1 610 P40 060	Rear nozzle	234,00
35	1	1 610 P82 080	Seal	29,00	53-1	1	1 610 P40 067	Crevise Nozzle	39,00
36	1	1 610 P82 081	Push-Button	33,00	53-2	1	1 610 P40 065	Suction Tube	59,00
37	4	1 610 P82 082	Tapping Screws	33,00	54	1	1 610 P82 102	Holder	33,00
38	2	1 610 P82 083	Sponge	29,00	55	1	1 610 P82 026	Hose	59,00
39	2	1 610 P82 084	Sponge	33,00	55-1	1	1 610 P82 103	Nameplate	
39-1	1	1 610 P82 085	Rubber Pad	33,00	55-2	1	2 607 331 059	Battery Pack 665 mAh	
39-2	1	1 610 P82 086	Sealing Cover	43,00	55-3	1	1 607 435 01R	Battery Pack 66A 18V	
39-3	1	1 610 P82 087	Grid	33,00	55-4	1	1 617 601 040	Battery Pack	
39-4	1	1 610 P82 088	Stop Block	33,00	55-5	1	1 607 435 06A	Battery Pack 66A 18V	
39-5	1	1 610 P82 089	Contact strip	33,00	55-6	1	1 607 435 06C	Battery Pack 18V 3 0Ah Li-I	
39-6	1	1 610 P82 090	Sealing Ring	33,00	55-7	1	1 607 435 077	Battery Pack 66A 18V	
39-7	1	1 610 P82 094	Filter	237,00	55-8	1	2 607 331 243	Battery Pack 66A 18V 6.0	
41	1	1 610 P82 091	Dust Separator	373,00	55-9	1	1 607 435 06B	Battery Pack 66A 18V	
42	1	1 610 P82 096	Inlet Cover	199,00	55-10	1	2 607 325 439	Fast Charger CN	
43	1	1 610 P82 092	Dust Chamber	463,00	55-11	1	2 607 325 637	Charger CN GAL 1800 CV	
44	1	1 610 P82 093	Button	33,00					
45	1	1 610 P82 094	Contact strip	33,00					

Please observe: Repairing, modifying or testing of electro-tools are to be performed professionally. The safety regulations according to IEC, EN, VDE, AFNOR and other regulations of the individual countries are to be observed. Subject to change.

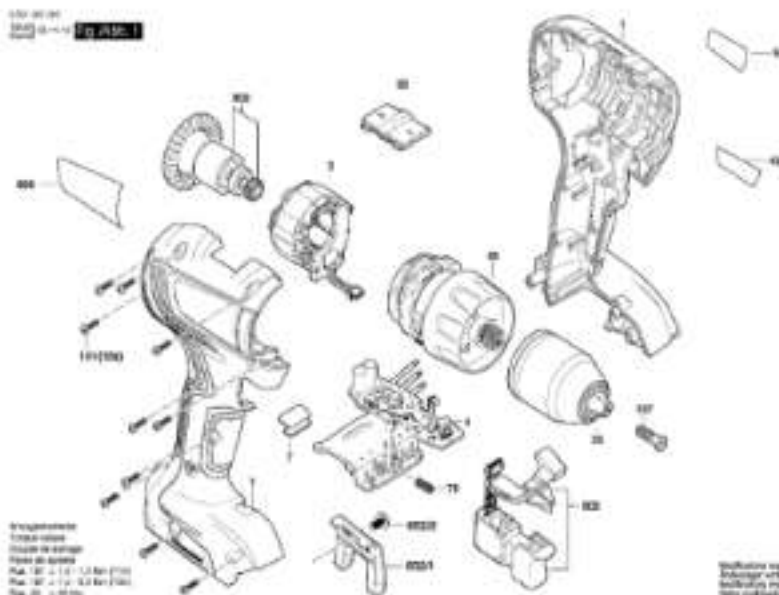
The price list supersedes all previous editions. Prices are subject to change without any prior notice.



Model: 3 601 J08 030 = 12

Item	Pc	Order no.	Description	LF in EUR	Item	Pc	Order no.	Description	LF in EUR
1	1	1 605 328 500	Housing	300,00					
4	1	2 607 302 098	Electronic Module						
4	1	2 607 302 600	Switch Assembly	607,00					
6/1	1	1 607 602 554	Ferrite	31,00					
8	1	1 602 401 55U	Chargeover Lever	31,00					
9	1	1 601 110 01V	Manufacturer's nameplate						
35	1	1 605 301 036	Keyless Chuck	732,00					
32	1	2 608 199 276	Shiftover Unit	120,00					
46	1	1 602 301 01M	Gear Box	1 010,00					
76	1	2 606 110 638	Clip	30,00					
91	1	1 607 426 006	Battery Pack GBA 10.2V						
91	1	1 607 426 006	Battery Pack GBA 12V						
101	1	2 606 111 490	Scrub	35,00					
107	1	2 603 421 029	Countersunk-Head Screw	30,00					
963	1	2 607 328 190	Fast Charger GB GAL						
963	1	1 602 400 HR3	Fast Charger GB GAL	665,00					
963	1	1 602 400 HR1	Fast Charger EU GAL	665,00					
963	1	2 607 328 196	Fast Charger GAL 12V-20						
963	1	1 602 400 HR0	Fast Charger CN GAL 1230						
963	1	1 607 602 074	Motor Gear Parts Set	663,00					
968	1	1 601 114 61E	Nameplate						

3 601 JH5 080
3 601 JH5 080 | BO



Grouped items
Items in stock
Items to order
Items to order
Part No. 101 - 110 - 120 Part 1100
Part No. 101 - 110 - 120 Part 1100
Part No. 101 - 110 - 120

Indicates special
fastening instructions.
See instructions.

1 / 2

Model: 3 601 JH5 080 - 18

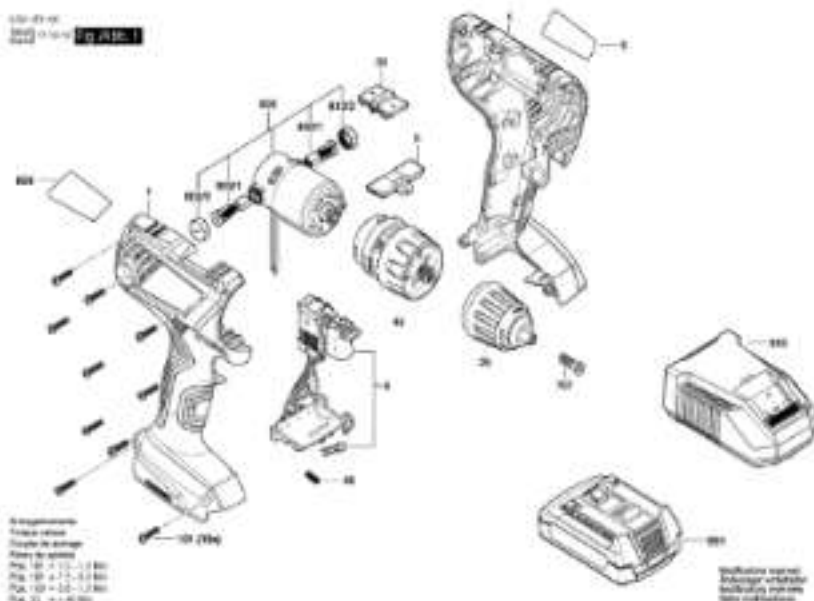
Item	Pc	Order no.	Description	LF in EUR	Item	Pc	Order no.	Description	LF in EUR
1	1	1 606 208 004	Housing	667,00	301	1	1 601 113 785	Namedite GSR 18V-60	
3	1	1 606 401 019	Stator	1.780,00					
4	1	1 607 233 071	Electronics Module	1.010,00					
7	1	2 606 100 003	Lens	94,00					
9	1	1 601 110 359	Manufacturers nameplate						
25	1	1 606 402 710	Keyless Chuck	1.381,00					
30	1	2 606 100 010	Switchover Unit	100,00					
42	1	1 601 110 275	Bracket						
46	1	1 606 401 035	Gear Box	2.054,00					
70	1	1 606 200 477	Compression Spring	21,00					
91	1	1 607 420 050	Battery Pack RC GBA 18V						
91	1	1 607 420 004	Battery Pack GBA 18V						
91	1	2 607 337 006	Battery Pack BBS 18V						
101	10	2 606 110 201	Tors Flat-Head Screw 20x16	20,00					
107	1	2 606 401 200	Countersunk-Head Screw	50,00					
050-1	1	2 606 110 004	Oil	137,00					
050-2	1	2 606 110 024	Screw	51,00					
050	1	2 607 325 403	Charger GB 230/16,3-18V						
050	1	2 607 320 203	Fast Charger GB GAL						
050	1	2 607 320 207	Fast Charger CH GAL						
050	1	2 607 320 033	Fast Charger RC GAL CV						
050	1	2 607 320 201	Fast Charger EU GAL						
000	1	1 607 000 008	Motor Spare Parts Set	1.692,00					
000	1	1 607 000 018	Switch	431,00					

Please observe: Repairing, modifying and testing of electric tools are to be performed professionally. The safety regulations according to IEC, EN, VDE, AFNOR and other regulations of the individual countries are to be observed. Subject to change.

The price list supersedes all previous editions. Prices are subject to change without any prior notice.

3 601 JFS 1K0
3 601 JFS 1K0

10 218 1



1 / 1

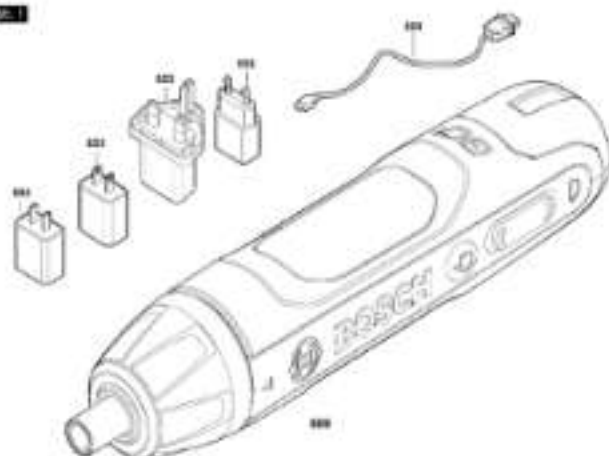
Model: 3 601 JFS 1K0 - 18									
Item	Pc.	Order no.	Description	LF in EUR	Item	Pc.	Order no.	Description	LF in EUR
1	1	2 608 101 7X1	Housing	69,00					
4	1	2 607 302 512	Electronics Module						
5	1	2 608 101 434	Adjusting lever	33,00					
9	1	2 608 132 908	Manufacturer's nameplate						
25	1	2 608 112 190	Keyless Chuck	69,00					
30	1	2 608 109 010	Switchover Unit	100,00					
46	1	1 800 400 R92	Gear Box	1.092,00					
46	1	1 008 200 417	Compression Spring	81,00					
31	1	1 807 430 0XA	Battery Pack GBA 18V						
101	10	2 608 110 201	Top Pad-Head Screw 3K16	33,00					
107	1	2 603 421 228	Countersunk-Head Screw	62,00					
302	1	2 607 328 203	Fast Charger UK GAL						
303	1	2 607 328 217	Fast Charger IND GAL						
302	1	1 807 322 856	DC motor 18V	1.107,00					
302-1	1	1 807 300 021	Carbon-Brush Set	180,00					
302-2	1	2 608 109 046	Seating cap	272,00					
303	1	1 601 119 010	Nameplate						
304	1	1 807 430 0XA	Battery Pack GBA 18V						
305	1	1 807 430 0XA	Battery Pack GBA 18V						



Model: 3 601 JK3 080 = 18

Item	Pc	Order no.	Description	LF in EUR	Item	Pc	Order no.	Description	LF in EUR
1	1	1 602 208 024	Housing	682,00					
2	1	1 616 P15 036	Stator	197,00					
3	1	1 602 401 204	Changeover Lever	27,00					
4	1	2 607 202 913	Electronics Module	1.468,00					
5	1	1 601 110 400	Manufacturer's nameplate						
20	1	1 602 402 718	Keyless Chuck	1.383,00					
30	1	1 602 401 230	Switchover Unit	263,00					
42	1	1 601 110 496	Stocker						
46	1	1 602 401 272	Gear Box	1.174,00					
48	1	1 602 280 477	Compression Spring	91,00					
91	1	1 607 435 006	Battery Pack GBA 12V						
91	1	1 607 435 014	Battery Pack						
91	1	1 607 435 016	Battery Pack GBA 18V						
91	1	1 607 435 017	Battery Pack TVN GBA						
101	10	2 606 110 201	Torx Flat-Head Screw 2X16	20,00					
107	1	2 612 421 226	Countersunk-head Screw	52,00					
902	1	1 602 902 713	Oil	107,00					
903	1	2 607 225 226	Fast Charger LAM						
903	1	2 607 225 223	Fast Charger UK GAL						
903	1	2 607 225 221	Fast Charger EU GAL						
903	1	2 607 225 237	Fast Charger IND GAL						
904	1	1 607 000 802	Rotor	682,00					
908	1	1 601 110 308	Nameplate						

3 601 JH2 100
3 601 JH2 100 | BO



Indicates special
fastener or other
industrial parts
See instructions

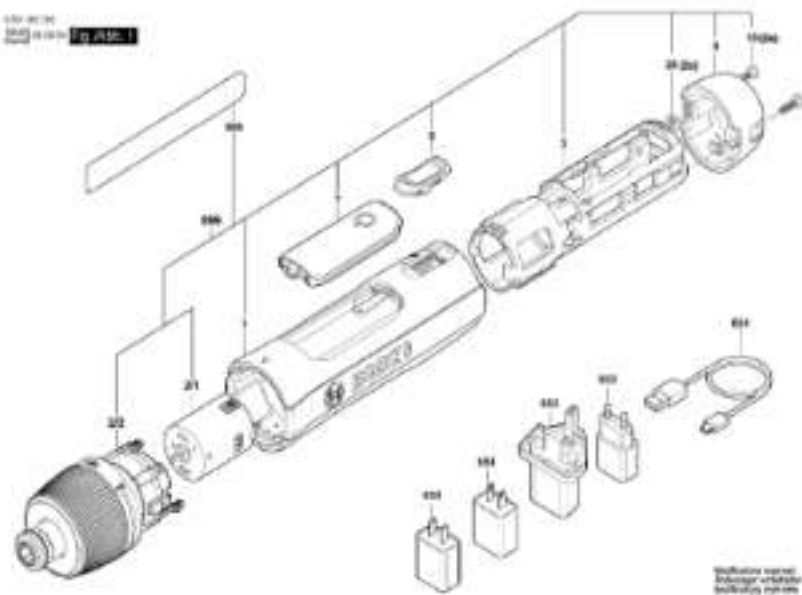
1 / 2

Model: 3 601 JH2 100 - 4

Item	Pc	Order no.	Description	LF in EUR	Item	Pc	Order no.	Description	LF in EUR
1	1	1 602 028 5107	Housing	217,00					
2	1	1 602 401 850	drive module	140,00					
3/1	1	1 607 022 890	DC motor	83,00					
3/2	1	1 602 401 102	Planetary Gear Train	73,00					
3/3/1	1	1 602 401 791	Clutch Ring	28,00					
4	1	1 602 028 871	Cell Cover	23,00					
5	1	1 602 401 851	Cell cluster	33,00					
7	1	1 602 401 030	Charge-Over Switch	10,00					
8	1	1 602 401 071	button	147,00					
10	2	1 602 401 148	Clip	31,00					
11	2	1 602 401 192	Spring	31,00					
101	2	1 602 401 737	Pan head screw	21,00					
323	1	2 608 120 718	Charger KR 100-240V 5V						
322	1	2 608 120 713	Charger BU 100-240V 5V	330,00					
321	1	2 608 120 715	Charger GB 100-240V 5V						
320	1	1 602 401 343	Charger TAIWAN 3.6V						
321	1	1 607 020 041	Charger ASIEN 230/5V	330,00					
322	1	1 607 020 038	USB cable USB TYPE A/						
323	1	1 601 11A 135	Nameplate						
300	1	1 607 020 581	Cordless Drill Driver						

Please observe: Repairing, modifying and testing of electric tools are to be performed professionally. The safety regulations according to IEC, EN, VDE, AFNOR and other regulations of the individual countries are to be observed. Subject to change.

The price list supersedes all previous editions. Prices are subjected to change without any prior notice.

3 601 JH2 280
 3 601 JH2 280 | BO


1 / 1

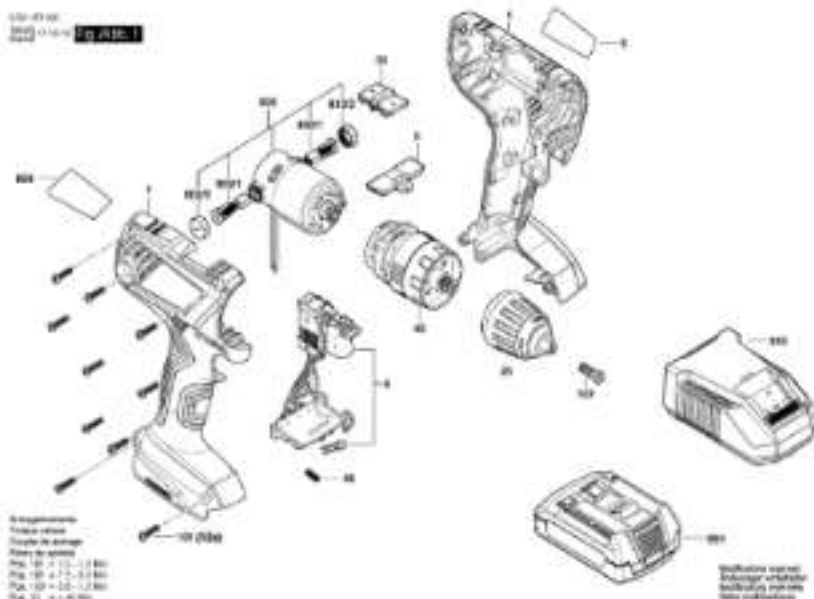
Model: 3 601 JH2 280 = 4

Item	Pc	Order no.	Description	LF in EUR	Item	Pc	Order no.	Description	LF in EUR
1	1	1 601 008 904	Housing						
01	1	1 601 002 949	DC motor						
02	1	1 601 402 083	Planetary Gear Train	373,00					
4	1	1 601 402 718	Cell Cover	75,00					
5	1	1 601 402 070	Cell Cluster						
6	1	1 601 402 078	Change-Over Switch						
7	1	1 601 402 074	Button						
18	2	2 009 111 490	Screw	35,00					
00	2	1 601 401 040	Oil	32,00					
003	1	1 601 000 041	Charger AS18H 230/5V	328,00					
004	1	1 601 000 010	USB cable						
000	1	1 601 000 016	Cordless Screw Driver						

Please observe: Repairing, modifying and testing of electro-tools are to be performed professionally. The safety regulations according to IEC, EN, VDE, AFNOR and other regulations of the individual countries are to be observed. Subject to change.

The price list supersedes all previous editions. Prices are subjected to change without any prior notice.

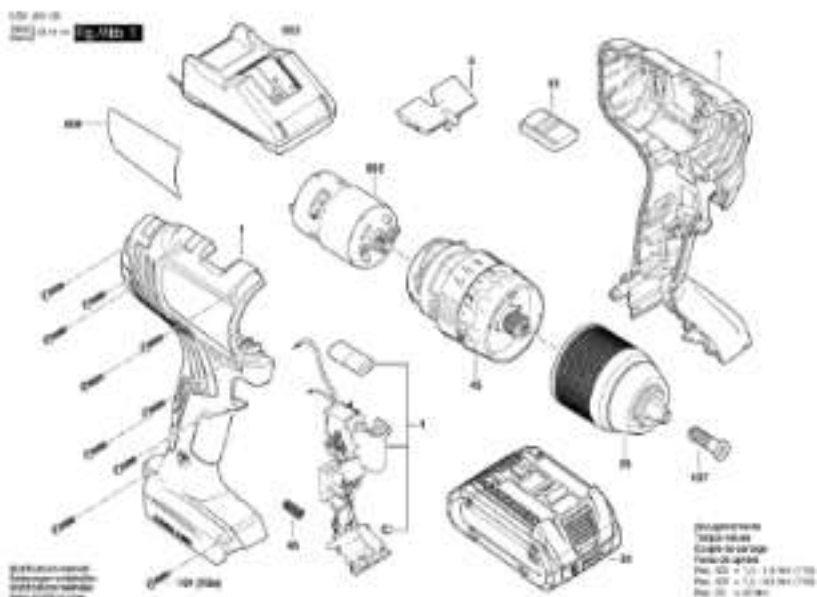
3 601 JF8 3K0
3 601 JF8 3K0
10 218 1



1 / 1

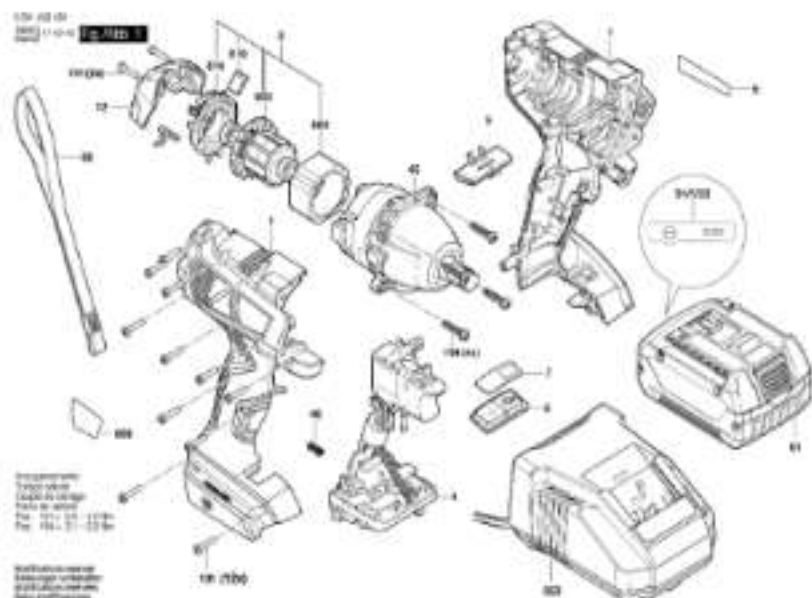
Model: 3 601 JF8 3K0 - 18

Item	Pc	Order no.	Description	LF in EUR	Item	Pc	Order no.	Description	LF in EUR
1	1	2 908 101 7X1	Housing	69,00					
4	1	2 907 302 512	Electronics Module						
5	1	2 908 101 434	Adjusting lever	33,00					
9	1	2 908 132 908	Manufacturer's nameplate						
25	1	2 908 112 190	Keyless Chuck	69,00					
32	1	2 908 109 212	Switchover Unit	100,00					
45	1	1 800 400 R93	Gear Box	1.720,00					
46	1	1 808 320 477	Compression Spring	91,00					
101	10	2 908 110 201	Torx Flat-Head Screw 3X18	33,00					
107	1	2 903 421 229	Countersunk-Head Screw	92,00					
982	1	2 907 328 527	Fast Charger IND GAL						
983	1	2 907 328 233	Fast Charger UK GAL						
984	1	1 807 022 956	DC motor 18V	1.127,00					
982/1	1	1 807 020 021	Carbon-Brush Set	190,00					
982/2	1	2 906 100 048	Sealing cap	272,00					
988	1	1 801 114 210	Nameplate						
989	1	1 807 320 008	Battery Pack GBA 18V						
990	1	1 807 436 006	Battery Pack GBA 18V						



Model: 3 601 JKS 1K3 - 18

Item	Pc	Order no.	Description	LF in EUR	Item	Pc	Order no.	Description	LF in EUR
1	1	1 605 328 900	Housing	402,00					
4	1	2 607 303 536	Electronics Module	1,020,00					
3	1	1 605 402 693	Chargeover Lever	35,00					
25	1	1 605 402 716	Keyless Chuck	1,382,00					
32	1	1 605 401 200	Switchover Unit	283,00					
46	1	1 605 402 693	Gear Box	1,210,00					
48	1	1 605 328 477	Compression Spring	91,00					
31	1	1 607 426 000	Battery Pack GBA 18V						
31	1	1 607 426 016	Battery Pack GBA 18V						
101	10	2 606 110 201	Torx Flat-Head Screw SK16	30,00					
107	1	2 605 421 229	Countersunk-Head Screw	92,00					
302	1	2 607 328 231	Fast Charger EU GAL						
303	1	2 607 328 233	Fast Charger UK GAL						
304	1	2 607 328 231	Fast Charger EU GAL						
305	1	1 607 305 670	Motor assembly	891,00					
308	1	1 601 114 911	Nanoplast						

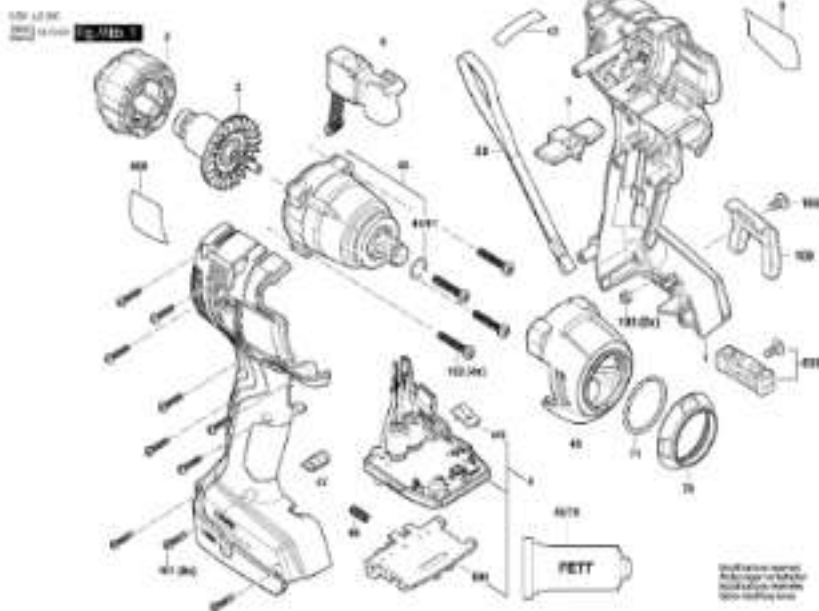


Model: 3 601 J06 1K0 - 13

Item	Pc	Order no.	Description	LF in EUR	Item	Pc	Order no.	Description	LF in EUR
1	1	2 608 101 990	Housing	658,00	45210	1	2 608 100 228	Front Housing	538,00
2	1	2 608 120 731	DC motor	1 091,00	45822	1	1 800 401 423	Coupling half	489,00
4	1	2 608 099 892	Electronics Module	1 085,00	45833	1	2 609 112 138	Steel ball	34,00
5	1	2 608 101 734	Adjusting lever	31,00	45834	1	2 609 100 327	Flange Housing	103,00
6	1	2 608 101 735	Button	31,00	45895	1	1 800 400 292	Grease Tube 45 ML	1470,00
7	1	2 608 138 265	Label		45	1	1 800 200 477	Compression Spring	21,00
8	1	2 608 138 417	Manufacturer's nameplate		55	1	2 609 100 301	Stop	32,00
12	1	2 608 101 763	Cover	31,00	61	1	1 807 400 060	Battery Pack GBA 18V	
45	1	2 608 099 838	Gear Box	2 794,00	61-102	1	2 601 116 037	Sticker	
45-13	1	2 608 111 973	Washer	92,00	101	14	2 609 116 301	Torx Flat-Head Screw 3X16	39,00
45-20	1	2 608 112 012	Jack Shaft	449,00	104	4	2 609 116 327	Screw	31,00
45-21	2	2 608 110 332	Ball	35,00	651	1	2 607 228 261	Fast Charger EU GAL	
45-22	1	2 608 111 542	Washer	74,00	651	1	2 607 228 243	Fast Charger GB GAL	
45-23	1	2 608 112 003	Spring	124,00	651	1	2 607 228 037	Fast Charger INO GAL	
45-24	1	2 608 111 695	Stripper	622,00	802	1	1 800 400 060	Stator	646,00
45-25	1	2 608 110 332	Washer	35,00	802	1	1 800 401 294	Rotor	634,00
45-27	1	2 608 170 208	Damper	27,00	802	1	1 800 401 228	Nameplate	
45-40	1	2 608 111 519	Ring Gear	150,00	810	1	1 804 321 174	Carbon-Brush Set	275,00
45-41	2	2 608 111 200	Planer Gear	254,00	810	1	1 800 400 968	Brush Holder	437,00
45-42	2	2 608 112 106	Cowel pin	39,00					
45-50	1	2 608 112 002	Washer	113,00					
45-52	1	2 608 112 104	Washer	114,00					
45-53	1	2 608 170 274	O-Ring	114,00					
45-55	1	2 608 170 243	O-Ring	31,00					

Please observe: Repairing, modifying and testing of electric tools are to be performed professionally. The safety regulations according to IEC, EN, VDE, AFNOR and other regulations of the individual countries are to be observed. Subject to change.

The price list supersedes all previous editions. Prices are subject to change without any prior notice.



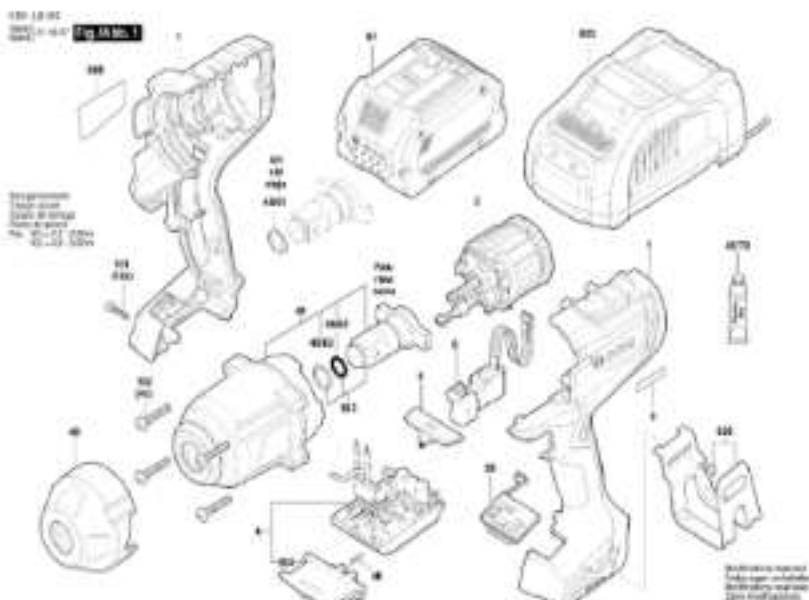
1 / 2

Model: 3 601 JJ2 380 - 18

Item	Pc	Order no.	Description	LF in EUR	Item	Pc	Order no.	Description	LF in EUR
1	1	1 602 208 514	Housing	685,00	304	1	1 600 200 320	Contact retainer 12V	233,00
2	1	1 616 P16 347	Stator	1,278,00	305	1	1 601 114 3AK	Nameplate	
3	1	1 616 P14 435	Rotor	1,044,00					
4	1	1 607 220 5L4	Electronics Module	2,541,00					
44	1	1 607 803 826	Printed Circuit Board	318,00					
5	1	1 602 401 1000	Changeover Lever	185,00					
6	1	1 607 202 501	Switch	681,00					
9	1	1 601 110 326	Manufacturers nameplate						
42	1	1 601 110 374	Sticker	30,00					
45	1	1 600 481 05F	Gear Box	3,024,00					
46/61	1	0 616 800 046	Retaining ring	92,00					
46/70	1	1 600 400 246	Grease Tube 46 ML	1,470,00					
48	1	1 606 282 477	Compression Spring	51,00					
47	1	1 600 400 0L2	Lens	18,00					
49	1	1 600 400 037	Cover	243,00					
58	1	2 606 100 501	Strip	32,00					
70	1	1 600 401 10L	Protective Cap	162,00					
71	1	1 604 801 037	Retaining ring	182,00					
100	1	2 606 111 834	Clip	137,00					
101	3	2 600 110 301	Torx Flat-Head Screw 2X16	24,00					
102	4	0 616 800 046/1	Torx Flat-Head Screw	176,00					
103	2	2 606 110 835	Nut	22,00					
105	1	2 600 110 834	Screw	52,00					
106	1	2 606 166 748	Bit holder	34,00					

Please observe: Repairing, modifying and testing of electric tools are to be performed professionally. The safety regulations according to IEC 61140, AFNOR and other regulations of the individual countries are to be observed. Subject to change.

The price list supersedes all previous editions. Prices are subject to change without any prior notice.



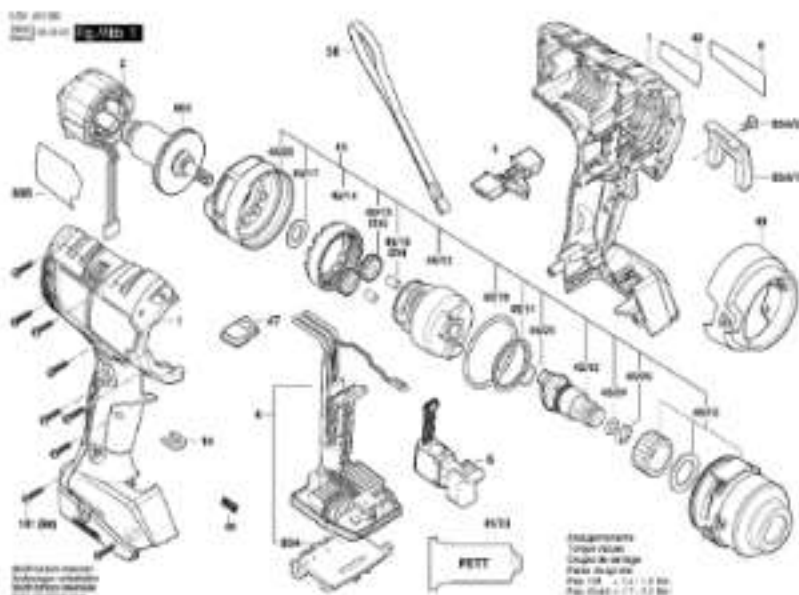
1 / 1

Model: 3 601 J38 5L0 = 18

Item	Pc	Order no.	Description	LF in EUR	Item	Pc	Order no.	Description	LF in EUR
1	1	1 601 208 540	Housing	1,627,00					
2	1	1 601 202 592	DC motor	6,273,00					
4	1	1 601 233 5L0	Electronic Module	5,483,00					
5	1	1 601 201 734	Changeover Lever	314,00					
6	1	2 607 202 501	Switch	581,00					
8	1	1 601 110 3L0	Manufacturer's nameplate						
45	1	1 601 201 R,2	Gear Box	6,724,00					
45B2	1	1 601 210 0260	O-ring	32,00					
45B3	1	1 604 201 040	Retaining ring	65,00					
45F0	1	1 601 200 216	Grease Type 48 ML	1,470,00					
46	1	1 601 200 477	Compression Spring	91,00					
48	1	1 601 201 R16	Cap	632,00					
50	1	1 601 233 509R	Electronic Module	1,407,00					
91	1	2 607 237 056	Battery Pack 36V 18V						
101	10	2 602 400 003	Torx Oval-Head Screw	31,00					
102	4	1 602 438 026	Torx Oval-Head Screw	271,00					
160	1	1 601 202 307	Hook	324,00					
163	1	2 607 225 537	Fast Charger 18V 6AL						
204	1	1 601 200 330	Contact resistor 18V	283,00					
303	1	1 601 202 432	Type Label						
360	1	1 601 402 01U	Coupling Half	1,222,00					

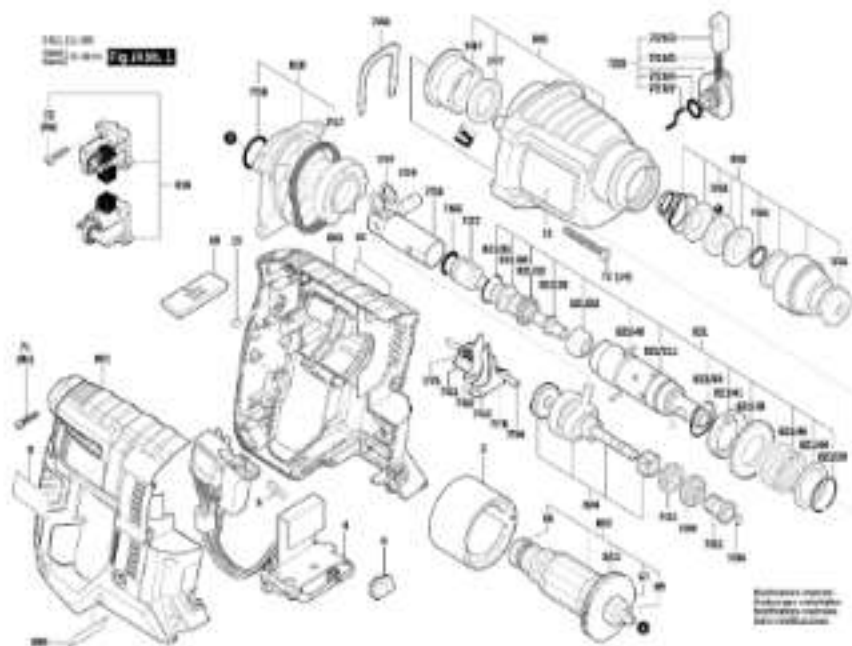
Please observe: Repairing, modifying and testing of electric tools are to be performed professionally. The safety regulations according to IEC, EN, VDE, AFNOR and other regulations of the individual countries are to be observed. Subject to change.

The price list supersedes all previous editions. Prices are subject to change without any prior notice.



Model: 3 601 JKD 080 - 18

Item	Pc	Order no.	Description	LF in EUR	Item	Pc	Order no.	Description	LF in EUR
1	1	1 600 302 430	Housing Assembly	511,00	47	1	1 600 300 547	Button	154,00
2	1	1 616 P16 436	Stator	305,00	48	1	1 600 401 187	Rubber Cap	163,00
3	1	1 600 402 346	Printed Board Assembly	4 182,00	49	1	2 609 120 301	Strap	32,00
4	1	1 600 401 V41	Changeover Lever	122,00	50	1	1 607 432 066	Battery Pack GBA 18V	
5	1	2 607 302 509	Switch	1 197,00	51	1	1 607 432 064	Battery Pack GBA 18V	
6	1	1 607 000 01R	Manufacturer's nameplate		52	1	2 607 307 082	Battery Pack GDS MR	
14	1	2 606 110 517	Clip	48,00	101	2	2 609 110 810	Screw	30,00
42	1	1 601 110 240	Bracket		602	1	2 607 228 223	Fast Charger GB GAL	
43	1	1 600 301 P41	Gear Box	2 003,00	603	1	2 607 228 037	Fast Charger MD GAL	
45-10	1	1 606 308 016	Gear Housing	635,00	604	1	2 607 228 251	Fast Charger EU GAL	
46-11	1	1 600 401 R70	Washer	48,00	605	1	2 607 228 207	Fast Charger CN GAL	
46-12	1	1 600 301 268	Coupling Half	668,00	606-1	1	2 600 111 004	Clip	137,00
46-13	1	1 600 401 263	Jack Shaft	1 302,00	606-2	1	2 609 110 634	Screw	63,00
46-14	1	1 600 402 480	Ring Gear	360,00	802	1	1 600 401 402	Rotor	1 066,00
46-15	2	2 606 111 590	Planet Gear	254,00	804	1	1 600 280 476	Contact Retainer	487,00
46-16	2	2 606 112 108	Dowel pin	29,00	902	1	1 601 114 794	Type Label	
46-17	1	2 606 111 321	Washer	94,00	903	1	1 601 114 782	Type Label	
46-18	1	2 606 170 274	O-Ring	114,00					
46-20	1	1 600 402 346	Flange Housing	332,00					
46-21	1	2 606 170 243	O-Ring	31,00					
46-23	1	1 600 400 24E	Grease Tube 48 ML	1 470,00					
46-24	1	2 606 170 273	Rubber Ring	42,00					
46-25	1	2 606 112 063	Oil Fastener	39,00					
46	1	1 606 280 477	Compression Spring	61,00					



1 / 2

Model: 3 611 J11 0K0 = 18

Item	Pc	Order no.	Description	LF in EUR	Item	Pc	Order no.	Description	LF in EUR
3	1	1 610 P13 742	Field	461,00	763	1	1 610 001 006	Shift Plate	30,00
3/15	1	1 610 009 077	axle for fan	31,00	764	1	1 610 023 008	Guide Rod	48,00
4	1	1 602 400 F9H	Electronic Module	2.480,00	765	1	1 610 008 082	Protective Cap	47,00
5	1	1 604 800 026	Compression Spring	31,00	766	1	1 614 801 077	Spring retaining ring	60,00
6	1	1 616 P13 744	Lets	31,00	767	1	1 603 230 013	Ball Cir. 5401-Ø7MM-H-6T	70,00
7/17	1	1 610 000 100	O-Ring	40,00	768	1	1 610 210 244	O-Ring +3.002.0 MM	67,00
7/18	1	1 610 210 184	O-Ring 22.0X2.5 MM	31,00	775	1	1 614 843 026	Compression Spring	31,00
7/20	1	1 612 028 181	Clamp Handle BLACK	71,00	776	1	1 614 843 023	Compression Spring	31,00
7/20/0	1	1 614 800 009	Driver Pin	30,00	777	1	1 610 P08 732	Shaft Seal	60,00
7/20/1	1	1 610 028 036	Switch Button RED	50,00	8	1	1 610 P13 760	Manufacturer's nameplate	
7/20/4	1	1 610 210 040	O-Ring 10.0X2.7 MM	60,00	10	1	1 610 P13 761	Manufacturer's nameplate	
7/20/6	1	1 614 811 008	Compression Spring	70,00	16	1	1 603 100 009	Damping rubber	64,00
7/22	1	1 616 P61 115	Gear Sleeve		65	2	1 603 008 026	Ball Bearing 6X22X7	41,00
7/26	1	1 610 700 030	Hammer Plate	160,00	67	1	1 610 008 047	groove ball bearing	66,00
7/27	1	1 616 710 086	Striker	101,00	68	1	1 600 100 027	Plain Washer	31,00
7/28	1	1 613 100 034	Platen Pin	31,00	69	1	1 616 P13 747	Change-Over Switch	31,00
7/32	1	1 610 020 100	Switching Element	67,00	71	2	1 603 480 023	Tox Over-Head Screw	31,00
7/34	1	1 616 P00 626	Retaining ring	31,00	72	4	1 610 P04 548	Tox Over-Head Screw	31,00
7/37	2	1 610 100 016	Guide Disc	47,00	73	4	1 610 P08 282	Tox Over-Head Screw	31,00
7/46	1	1 611 018 000	Holding Plate	60,00	651	1	1 610 001 009	Depth-Gauge SW 6X10	170,00
7/47	1	1 610 020 031	Plain bearing	217,00	653	1	1 607 435 060	Battery Pack 6BA 18V	
7/49	1	1 616 020 104	Switching Element	60,00	653	1	1 607 430 080	Battery Pack 18V 2.0AH LI	
7/61	1	1 610 021 004	Shift Plate	30,00	654	1	1 607 226 100	Fast Charger LAM	4.750,00
7/62	1	1 610 021 000	Shift Plate	48,00	654	1	1 607 226 200	Fast Charger UK 6A	

Please observe: Repairing, modifying and testing of electro-tools are to be performed professionally. The safety regulations according to IEC, EN, VDE, AFNOR and other regulations of the individual countries are to be observed. Subject to change.

The price list supersedes all previous editions. Prices are subject to change without any prior notice.

3 611 J11 0K0
3 611 J11 0K0-1 | **Fig. 4.99.1**

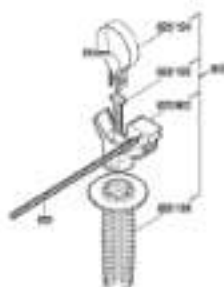


Fig. 4.99.1
GBH 180-LI 18V
Motor power in mode 2: 30 W
Order reference: 3 611 J11 0K0
GBH 180-LI 18V 30 W 3 611 J11 0K0

Accessories
Tool Bits
Order reference
Part no. | Description
1 | 2 618 92A 000
2 | 2 618 92B 000
3 | 2 618 92C 000



Illustration without
accessories and
optional equipment
and accessories

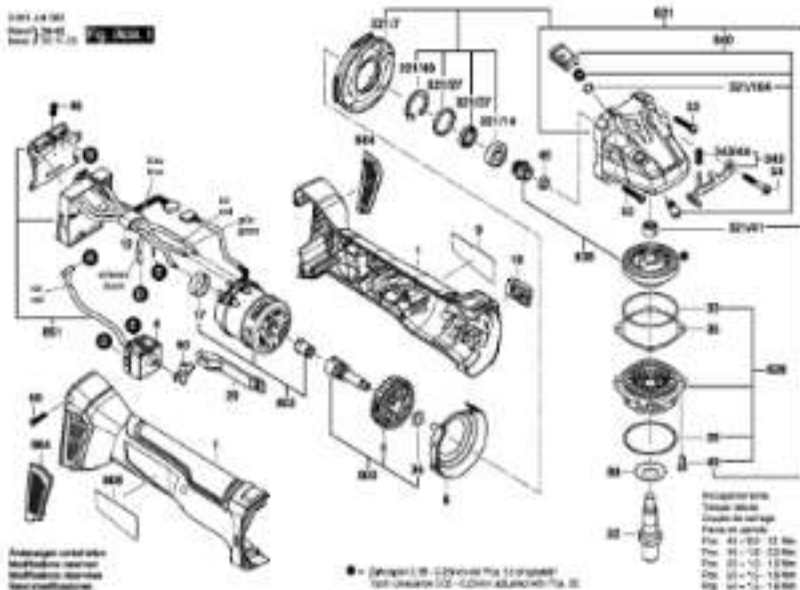
2 / 3

Model: 3 611 J11 0K0 = 18

Item	Pc	Order no.	Description	LF in EUR	Item	Pc	Order no.	Description	LF in EUR
954	1	2 907 325 021	Fast Charger RC		922/020	1	1 802 025 074	Auxiliary Handle	608,00
954	1	2 907 325 231	Fast Charger EU GAL		922/024	1	1 811 516 021	Climbing Band Ø90 MM	73,00
954	1	2 907 325 251	Fast Charger EU GAL		922/025	1	1 813 490 002	T-Head Bit MEX40 MM	75,00
954	1	2 907 325 303	Charger GB 230V-10,9-15V		922/003	1	1 817 000 475	Support clamp	34,00
921/925	2	1 816 P14 335	Latch	94,00	924	1	1 817 000 550	Jack Shaft	1 272,00
921	1	1 816 P14 485	Motor Housing	637,00	943	1	1 816 P08 158	Gear Housing	737,00
923	1	1 816 P14 345	Armature	1 384,00	965	1	1 817 000 800	Protection Sleeve	267,00
925	1	1 816 P14 595	Nameplate		992	1	1 816 430 020	Grease Tube 225 ML	1 910,00
918	1	1 816 P14 365	Carbon-Brush Set	274,00	993	1	1 816 430 001	Grease Tube 225 ML	953,00
919	1	1 816 P02 018	Intermediate Flange	601,00					
921	1	1 816 P02 017	Hammer Pipe	1 751,00					
921/05	1	1 813 124 034	Sticker Pin	33,00					
921/51	1	1 816 P02 515	Retaining ring	31,00					
921/32	1	1 816 P07 425	Rubber Bushing	98,00					
921/28	1	1 816 921 008	Holding Plate	47,00					
921/58	1	1 816 317 034	Cylindrical O-ring	345,00					
921/33	2	1 814 801 025	Retaining ring	31,00					
921/40	2	1 813 102 032	Straight Pin	31,00					
921/41	1	1 816 102 072	Retainer Disc	118,00					
921/44	1	1 816 102 092	Friction Washer	31,00					
921/45	1	1 814 830 003	Compression Spring	31,00					
921/80	1	1 816 P11 082	Guide Bushing	139,00					
921/211	1	1 816 P02 315	Hammer Pipe	802,00					
922	1	1 802 025 020	Auxiliary Handle	593,00					

Please observe: Repairing, modifying and testing of electric tools are to be performed professionally. The safety regulations according to IEC, EN, VDE, AFNOR and other regulations of the individual countries are to be observed. Subject to change.

The price list supersedes all previous editions. Prices are subject to change without any prior notice.

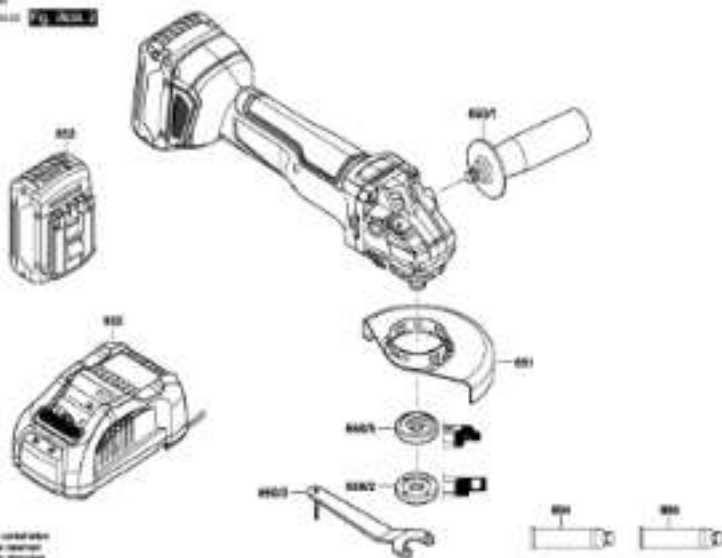


Model: 3 601 J44 0K0 - 10

Item	Pc	Order no.	Description	LF in EUR	Item	Pc	Order no.	Description	LF in EUR
1	1	1 616 P16 234	Motor Housing	1,047,00	30	1	1 616 P03 260	Cover Disc	70,00
4	1	2 607 202 528	Switch	704,00	32/17	1	1 616 P18 568	Air Distributor	
5	1	1 616 P16 041	Fan	140,00				groove ball bearing	32,00
6	1	1 600 601 045	Air-Deflector Ring	126,00	32/14	1	1 616 P08 268	groove ball bearing	32,00
9	1	1 616 P16 037	Manufacturers nameplate		32/17	1	1 600 208 026	Rubber Ring	30,00
10	1	1 600 400 662	Female	102,00	32/21	1	1 600 400 P17	Holder	40,00
17	1	1 600 100 P12	Cover	60,00	32/40	1	1 600 116 011	Retaining clip	30,00
18	1	1 616 P16 233	Switch handle	81,00	32/41	1	1 600 208 026	Plan bearing	31,00
20	1	1 616 P16 011	Adjusting Slide	30,00	32/104	1	1 600 216 044	O-Ring 4.5X1.0 MM BLUE	30,00
28	1	1 600 216 108	O-Ring 47.5X1.5 MM	92,00	343	1	1 607 000 742	Catch Lever	204,00
32	1	1 602 523 111	Clinding Spindle M10	69,00	343/44	1	1 604 811 542	Compression Spring	32,00
33	1	1 600 216 026	O-Ring 46.5X1.1 MM	62,00	650/1	1	1 616 P12 001	Auxiliary Handle	160,00
34	1	1 600 135 020	Spinn 0.15 MM THICK	37,00	650/2	1	1 616 P08 076	Round Nut With 2 Holes	54,00
35	1	1 600 135 018	Spinn 0.3 MM THICK	71,00	650/3	1	1 616 P08 668	Pin-Type Piece-Wrench	34,00
36	1	1 600 135 014	Spinn 0.2 MM THICK	74,00	650/6	1	1 616 P12 169	Clamping Flange	31,00
38	1	1 600 135 013	Spinn 0.1 MM THICK	74,00	651	1	1 600 201 234	Protective Cover	162,00
39	1	1 616 100 023	Washer	40,00	652	1	1 607 226 621	Charger EU G/AL 1000 CV	9,256,00
46	1	1 616 P17 544	Hex Nut		652	1	1 607 208 281	Fast Charger EU G/AL	
48	1	1 608 260 477	Compression Spring	31,00	652	1	1 607 226 623	Charger GB 230/10.8-18V	
49	6	2 314 401 610	Thread-forming Tap Screw	32,00	653	1	1 617 301 260	Battery Pack	
50	4	2 600 110 201	Torx Flat-Head Screw SK16	26,00	653	1	1 607 227 569	Battery Pack 660 MR	
53	3	1 616 P01 080	Torx Over-Head Screw	31,00	654	1	1 607 006 044	Motor	4,295,00
54	1	1 607 400 026	Torx Over-Head Screw	32,00	654	1	1 607 006 046	Steel Gear Shaft	408,00
55	1	1 600 400 P18	Reverse-Transfer Lever	48,00	654	1	1 616 P15 477	Nameplate	
					621	1	1 607 006 046	Gear Housing	665,00

Please observe! Repairing, modifying and testing of electric tools are to be performed professionally. The safety regulations according to IEC 61110, AFNOR and other regulations of the individual countries are to be observed. Subject to change.

The price list supersedes all previous editions. Prices are subject to change without any prior notice.

3 601 J44 0K0
 Bosch Power Tools

 Anzeigen enthalten
 Maßtoleranzen
 Maßabweichungen
 sind möglich

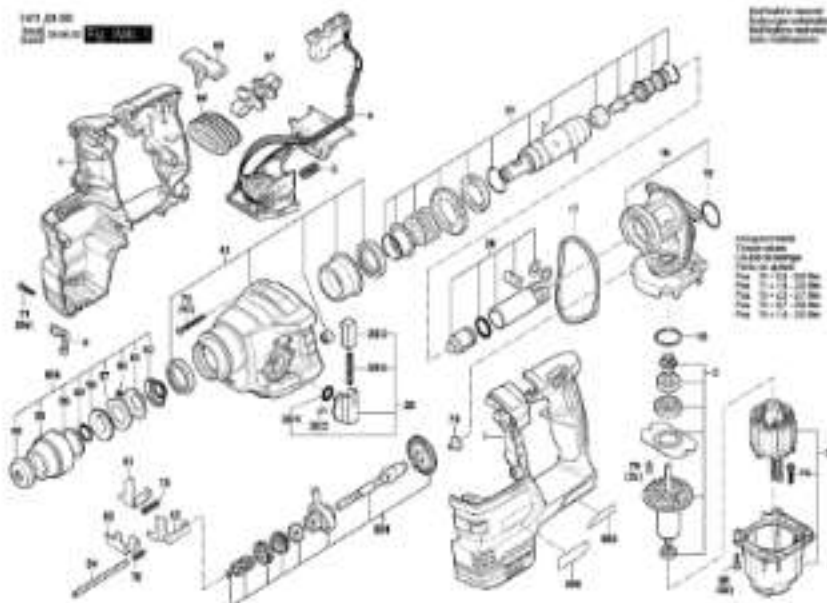
2 / 3

Model: 3 601 J44 0K0 - 10

Item	Pc	Order no.	Description	LF in EUR	Item	Pc	Order no.	Description	LF in EUR
828	1	1 616 P16 716	Gearing Flange	640,00					
838	1	1 607 000 C46	Gear Unit	785,00					
840	1	1 607 000 W1	Push-Button	144,00					
851	1	1 616 P16 403	Electronics Module	4 600,00					
884	1	1 607 000 C46	Filter Unit	487,00					
886	1	1 616 430 000	Grease Tube 225 ML	1 610,00					
885	1	1 616 430 010	Grease Tube 225 ML	1 630,00					

Please observe: Repairing, modifying and testing of electro-tools are to be performed professionally. The safety regulations according to IEC, EN, VDE, AFNOR and other regulations of the individual countries are to be observed. Subject to change.

The price list supersedes all previous editions. Prices are subjected to change without any prior notice.

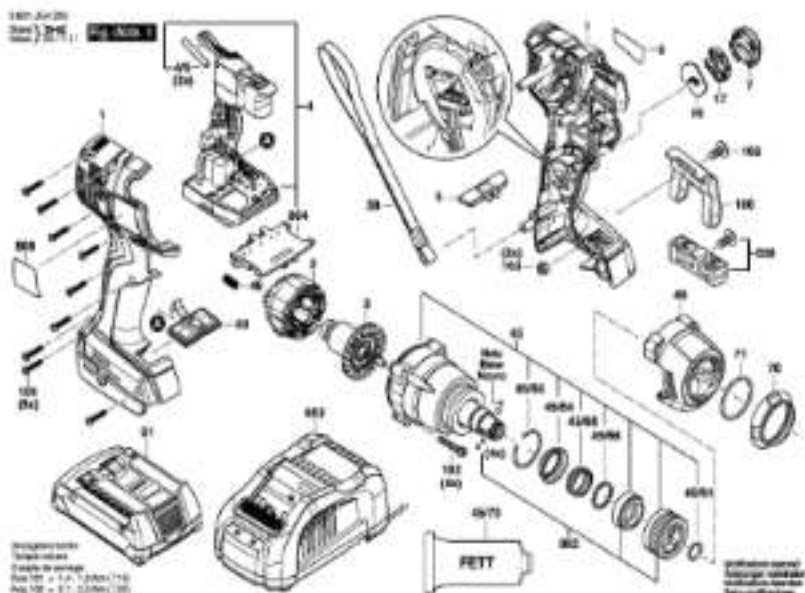


Model: 3 611 J24 680 - 18

Item	Pc	Order no.	Description	LF in EUR	Item	Pc	Order no.	Description	LF in EUR
1	1	1 605 103 291	Motor Housing	754,00	67	1	1 610 102 026	Friction Washer	54,00
2	1	1 605 402 991	Stator	1 520,00	68	1	1 610 P18 260	Support	72,00
3	1	1 605 402 997	Rotor	1 652,00	69	1	1 610 102 040	Friction Washer 1,0 MM	37,00
4	1	1 610 P12 230	Electronics Module	60,00	70	1	1 614 501 077	Spring retaining ring	53,00
4	1	1 605 402 520	Electronic Module	3 022,00	81	1	1 610 501 035	Holding Plate	58,00
5	1	2 604 600 095	Compression Spring	31,00	82	1	1 610 P01 700	Conical helical spring	33,00
6	1	1 605 402 541	Lens	54,00	83	1	1 603 236 010	Ball DIN 5401-Ø7MM-11-Ø7	73,00
17	1	1 610 P17 372	Sealing Ring	60,00	87	1	1 600 400 795	Guide Piece	237,00
18	1	1 610 P51 037	Intermediate Flange	1 122,00	88	1	1 600 400 101	Belows	121,00
19	1	1 610 210 208	O-Ring 34 ØX2,6 MM	50,00	89	1	1 600 400 706	Switch Side	77,00
20	1	1 610 023 151	Clamp Handle BLACK	71,00	70	1	1 603 426 094	Tool Oval-Head Screw	59,00
20C	1	1 614 600 008	Driver Pin	32,00	71	2	1 603 430 023	Tool Oval-Head Screw	31,00
20C3	1	1 610 023 038	Switch Button RED	50,00	72	4	1 610 P08 045	Tool Oval-Head Screw	31,00
20C4	1	1 610 210 045	O-Ring 10 ØX2,7 MM	33,00	74	1	1 610 P00 220	Tool Oval-Head Screw	31,00
20C6	1	1 614 611 008	Compression Spring	71,00	75	1	1 614 543 026	Compression Spring	31,00
21	1	1 610 507 130	Toolholder	1 489,00	76	1	1 614 543 023	Compression Spring	31,00
22	1	1 610 P17 325	Hammer Piston	638,00	79	2	1 610 426 023	Thread-forming tap. Screw	31,00
42	1	1 605 600 584	Gear Housing	235,00	80	4	1 610 P01 180	Screw 4X14	29,00
51	1	1 610 021 024	Soft Plate	35,00	120	1	1 610 P18 271	Auxiliary Handle	312,00
52	1	1 610 021 038	Soft Plate	45,00	120+05	1	1 610 P01 158	Auxiliary Handle	33,00
53	1	1 605 402 195	Soft Plate	39,00	120+21	1	1 617 006 476	Support clamp	54,00
54	1	1 610 023 005	Guide Rod	48,00	120+22	1	1 613 201 010	Push-Button	27,00
55	1	1 610 600 092	Protective Cap	47,00	120+23	1	1 604 610 023	Compression Spring	42,00
56	1	1 610 499 000	Protection Sleeve	51,00	120+34	1	1 611 316 021	Clamping Band Ø50 MM	13,00

Please observe: Repairing, modifying and testing of electro-tools are to be performed professionally. The safety regulations according to IEC 61110, AFNOR and other regulations of the individual countries are to be observed. Subject to change.

The price list supersedes all previous editions. Prices are subject to change without any prior notice.



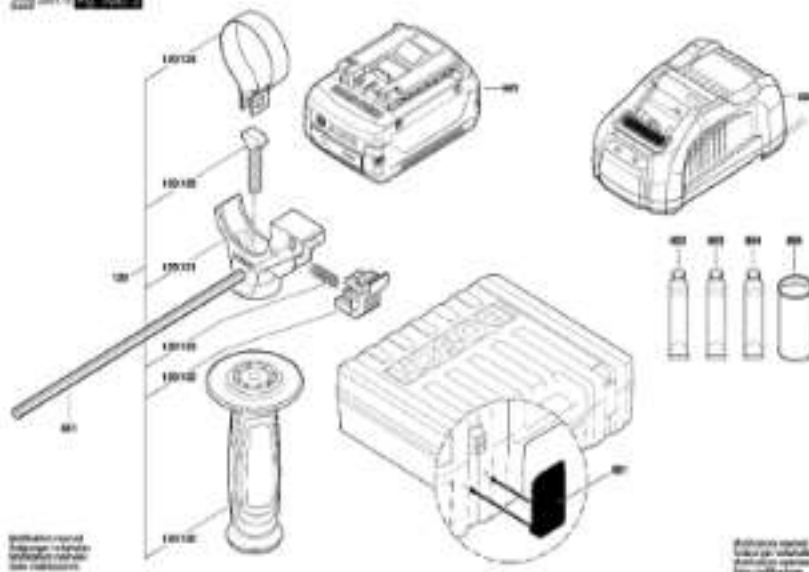
Model: 3 601 J04 200 - 18

Item	Pc	Order no.	Description	LF in EUR	Item	Pc	Order no.	Description	LF in EUR
1	1	1 602 328 922	Housing	641,00	01	1	1 607 335 040	Battery Pack GBA 18V	
2	1	1 616 P14 412	Stator	1.341,00	04	1	1 607 337 357	Battery Pack GBA 18V	
3	1	1 616 P14 402	Rotor	1.044,00	05	1	1 607 337 550	Battery Pack GBB MR	
4	1	1 607 333 350	Electronics Module	6.248,00	100	1	1 609 111 524	Giro	137,00
49	3	1 602 712 038	Shrinkable Tube		101	9	1 609 110 301	Tox Flat-Head Screws 3X16	29,00
5	1	1 602 421 180	Chargeover Lever	122,00	102	4	1 610 020 540	Tox Flat-Head Screws	170,00
7	1	1 602 400 808	Cover Unit	195,00	103	2	1 609 110 826	Nut	20,00
9	1	1 001 110 284	Manufacturers Nameplate		105	1	1 609 110 324	Screw	30,00
16	1	1 607 603 320	Printed Board Assembly	482,00	002	1	1 607 326 321	Charger EU GAL 1800 CV	2.200,00
17	1	1 602 400 853	Cover Panel	195,00	051	1	1 607 325 623	Charger GB 230/10,8-18V	
46	1	1 602 401 P03	Gear Box	3.359,00	003	1	1 609 199 740	Bit Holder	34,00
46-61	1	1 610 300 046	Retaining Ring	22,00	004	1	1 602 320 320	Contact Retainer 18V	200,00
46-64	1	1 602 400 896	Holding Jacket	122,00	005	1	1 001 114 590	Nameplate	
46-65	1	1 604 801 332	Retaining Ring	195,00	002	1	1 602 401 10V	Drive Assembly	207,00
46-66	1	1 604 801 021	Retaining Ring	195,00					
46-68	1	1 610 300 047	Compression Spring	122,00					
46-70	1	1 602 800 048	Grease Tube 45 ML	1.470,00					
46	1	1 602 380 477	Compression Spring	91,00					
46	1	1 602 400 027	Cover	242,00					
50	1	1 602 801 366	Keypad	621,00					
58	1	2 602 100 301	Strap	32,00					
70	1	1 602 401 12L	Protective Cap	193,00					
71	1	1 604 801 027	Retaining Ring	195,00					
81	1	1 607 435 040	Battery Pack HCR GBA						

Please observe: Repairing, modifying and testing of electro-tools are to be performed professionally. The safety regulations according to IEC 61110, AFNOR and other regulations of the individual countries are to be observed. Subject to change.

The price list supersedes all previous editions. Prices are subject to change without any prior notice.

1 611 J24 080
3 611 J24 080



Bitte nicht öffnen!
Nicht öffnen!
Bitte nicht öffnen!

Bitte nicht öffnen!
Nicht öffnen!
Bitte nicht öffnen!

2 / 3

Model: 3 611 J24 080 - 18

Item	Pc	Order no.	Description	LF in EUR	Item	Pc	Order no.	Description	LF in EUR
100/028	1	1 613 000 000	T-Head Bit MEX40 LM	79,00					
091	1	1 613 001 000	Depth Gauge 8W BR210	173,00					
092	1	2 607 337 000	Battery Pack GBH VR						
093	1	1 607 338 000	Battery Pack GBA 18V						
094	1	1 607 339 000	Battery Pack GBA 18V						
095	1	2 607 338 000	Fast Charger GB GAL						
096	1	2 607 339 000	Fast Charger HD GAL						
097	1	2 607 340 000	Fast Charger CH GAL						
098	1	2 607 338 001	Fast Charger EU GAL						
099	2	1 616 P17 425	Latch						
100	1	1 616 P17 056	Label						
101	1	1 616 P18 425	Label						
102	1	1 616 P61 035	Jack Shaft						
103	1	1 617 000 633	Protection Sleeve	287,00					
104	1	1 616 430 001	Grease Tube 225 ML	683,00					
105	1	1 616 430 001	Grease Tube 225 ML	583,00					
106	1	1 616 430 001	Grease Tube 225 ML	1 610,00					
107	1	1 616 430 016	Oil Reservoir 1000 ML	2 758,00					



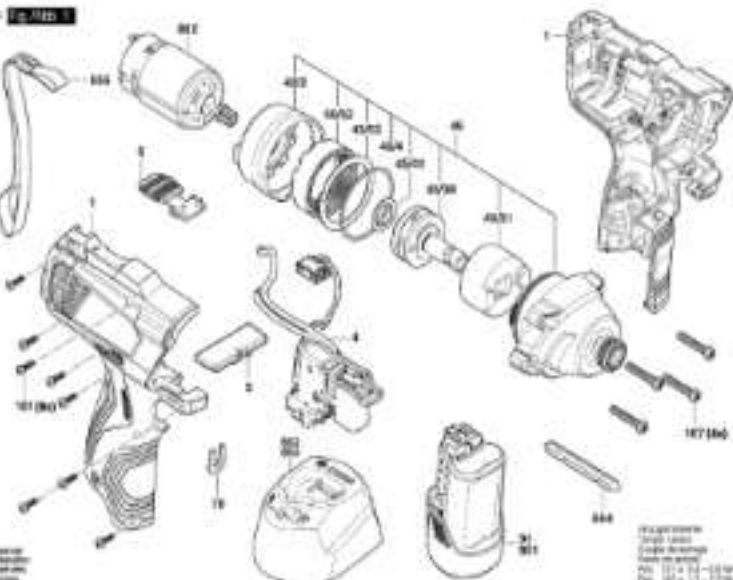
1 / 1

Model: 3 601 J43 180 = 18

Item	Pc	Order no.	Description	LF in EUR	Item	Pc	Order no.	Description	LF in EUR
1	1	1 602 208 824	Housing	492,00					
2	1	1 616 P15 526	Stator	197,00					
3	1	1 602 401 254	Changeover Lever	27,00					
5	1	2 607 202 913	Electronics Module	1.468,00					
9	1	1 601 110 420	Manufacturer's nameplate						
25	1	1 602 402 716	Keyless Chuck	1.383,00					
32	1	1 602 401 230	Switchover Unit	263,00					
42	1	1 601 110 496	Sticker						
45	1	1 602 401 272	Gear Set	1.408,00					
46	1	1 602 280 477	Compression Spring	91,00					
91	1	1 607 426 000	Battery Pack GBA 12V						
91	1	1 607 426 010	Battery Pack GBA 12V						
101	10	2 606 110 201	Tors Flat-Head Screw SK18	23,00					
107	1	2 602 401 226	Countersunk-Head Screw	32,00					
992	1	1 602 402 716	Clip	107,00					
993	1	2 607 228 231	Fast Charger EU DAL						
993	1	2 607 228 232	Fast Charger UK DAL						
993	1	2 607 228 234	Fast Charger LAW						
992	1	1 601 000 802	Rotor	692,00					
993	1	1 601 110 043	Nameplate						

Please observe: Repairing, modifying and testing of electric tools are to be performed professionally. The safety regulations according to IEC 60335-1, VDE 0710, AFNOR and other regulations of the individual countries are to be observed. Subject to change.

The price list supersedes all previous editions. Prices are subject to change without any prior notice.

3 601 JFO 0L0
 3 601 JFO 0L0

 Technische Zeichnung
 Exploded view
 3 601 JFO 0L0

 Exploded view
 3 601 JFO 0L0
 3 601 JFO 0L0
 3 601 JFO 0L0
 3 601 JFO 0L0

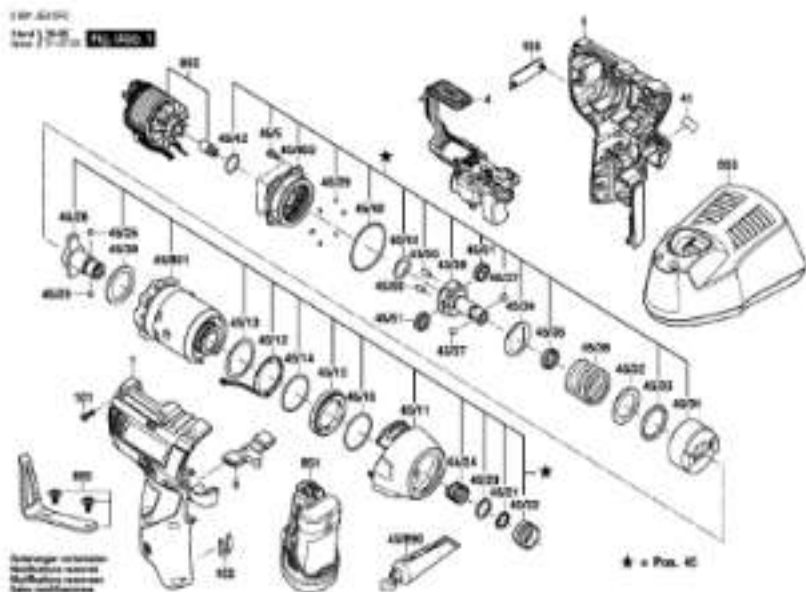
1 / 1

Model: 3 601 JFO 0L0 = 12

Item	Pc	Order no.	Description	LF in EUR	Item	Pc	Order no.	Description	LF in EUR
1	1	2 608 101 03A	Housing	424,00					
4	1	2 607 202 212	Electronics Module	1 115,00					
3	1	2 608 100 000	Button	31,00					
5	1	2 608 101 001	Switchover Unit	108,00					
40	1	2 608 100 004	Gear Box	2 395,00					
400	1	2 608 101 010	Flange Housing	85,00					
404	1	2 608 170 207	Seal	31,00					
4001	1	2 608 111 031	Socket	527,00					
4000	1	2 608 100 005	Jack Shaft	603,00					
4041	1	2 608 110 071	Washer	31,00					
4002	1	2 608 111 007	Ring Gear	101,00					
4003	1	2 608 110 001	Washer	31,00					
70	1	2 608 110 027	Gip	45,00					
21	1	1 607 430 008	Battery Pack GBA 12V						
101	6	2 608 110 003	Screw	35,00					
107	4	2 608 110 027	Screw	31,00					
302	1	2 607 028 038	Fast Charger IND GAL						
304	1	2 608 110 040	Screwdriver Blade	34,00					
305	1	2 608 170 126	Carrying Loop	31,00					
300	1	1 600 800 003	Motor assembly	600,00					
301	1	1 607 430 008	Battery Pack GBA 12V						
303	1	2 607 028 107	Fast Charger EU GAL						
302	1	2 607 028 100	Fast Charger GB GAL						
305	1	2 607 028 105	Fast Charger GAL 12V-20						

Please observe: Repairing, modifying and testing of electric tools are to be performed professionally. The safety regulations according to IEC, EN, VDE, AFNOR and other regulations of the individual countries are to be observed. Subject to change.

The price list supersedes all previous editions. Prices are subject to change without any prior notice.

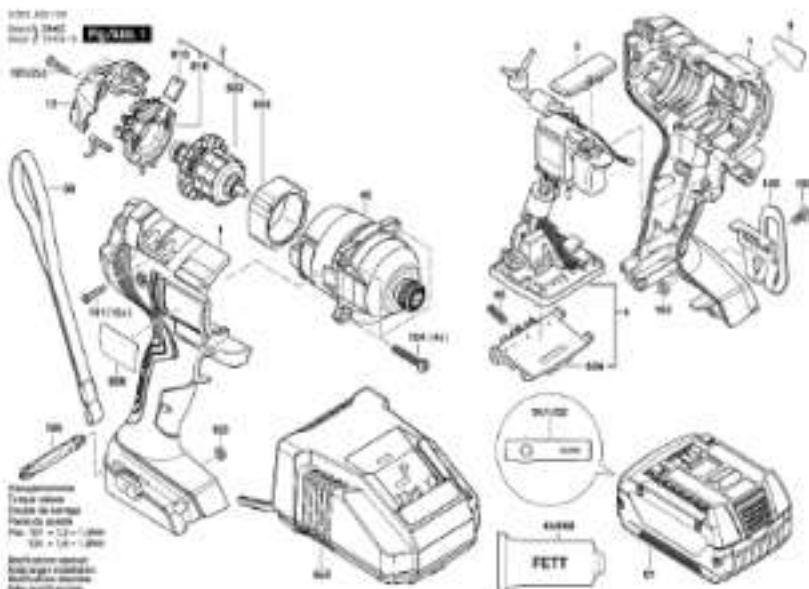


1 / 1

Model: 3 601 JED 0F6 - 12

Item	Pc	Order no.	Description	LF in EUR	Item	Pc	Order no.	Description	LF in EUR
1	1	2 600 101 420	Housing	433,00	4636	1	2 600 111 885	Contact strip	122,00
4	1	1 607 223 520	Electronic Module	3,254,00	4637	2	2 600 111 808	steel ball	31,00
5	1	2 600 101 230	Adjusting lever	31,00	4638	1	2 600 111 830	Jack Shaft	556,00
61	1	2 600 134 180	Slider		4639	6	2 600 111 738	Pin	51,00
46	1	2 600 166 021	Beal Box	2,694,00	4640	1	2 600 170 221	Ball	55,00
46/6	5	2 600 111 708	Screw	31,00	4641	1	2 600 111 873	Washer	55,00
46/10	1	2 600 101 205	Lens	31,00	4642	1	2 600 176 243	O-Ring	31,00
46/11	1	2 600 101 205	Cover	103,00	4650	2	2 600 111 899	Pin	30,00
46/12	1	2 600 120 143	Module Pco	282,00	4651	2	2 600 111 870	Planet Gear	143,00
46/13	1	2 600 170 218	Rubber Pad	57,00	4652	1	2 600 166 784	Gear Housing	418,00
46/14	1	2 600 170 226	O-Ring	55,00	4653	2	2 600 166 785	Flange Housing	500,00
46/16	1	2 600 170 280	Damping rubber	82,00	4653a	1	1 600 400 240	Grease Tube 45 ML	1,470,00
46/20	1	2 600 111 826	Coupling Half	405,00	101	1	2 600 110 825	Screw	35,00
46/21	1	2 600 110 326	Clip	31,00	102	1	2 600 110 827	Clip	45,00
46/22	1	2 600 110 318	Beave	204,00	105	1	2 600 110 334	Color clip	31,00
46/23	1	2 600 110 329	Retaining Ring	31,00	202	1	2 600 166 851	Brushless DO motor	1,972,00
46/24	1	2 600 110 330	Compression Spring	31,00	281	1	1 607 432 000	Battery Pack GBA 12V	
46/25	2	2 600 111 855	steel ball	31,00	283	1	1 607 320 219	Fast Charger EU/GAL	
46/30	1	2 600 111 738	Washer	124,00	282	1	2 600 166 842	Cap	31,00
46/31	1	2 600 111 821	Slider	627,00					
46/32	1	2 600 111 808	Washer	55,00					
46/33	20	2 600 110 813	steel ball	31,00					
46/34	1	2 600 111 857	Thrust Washer	82,00					
46/35	1	2 600 170 220	Foam Plastics Blank	72,00					

Please observe: Repairing, modifying and testing of electro-tools are to be performed professionally. The safety regulations according to IEC 61156, AFNOR and other regulations of the individual countries are to be observed. Subject to change.
The price list supersedes all previous editions. Prices are subjected to change without any prior notice.



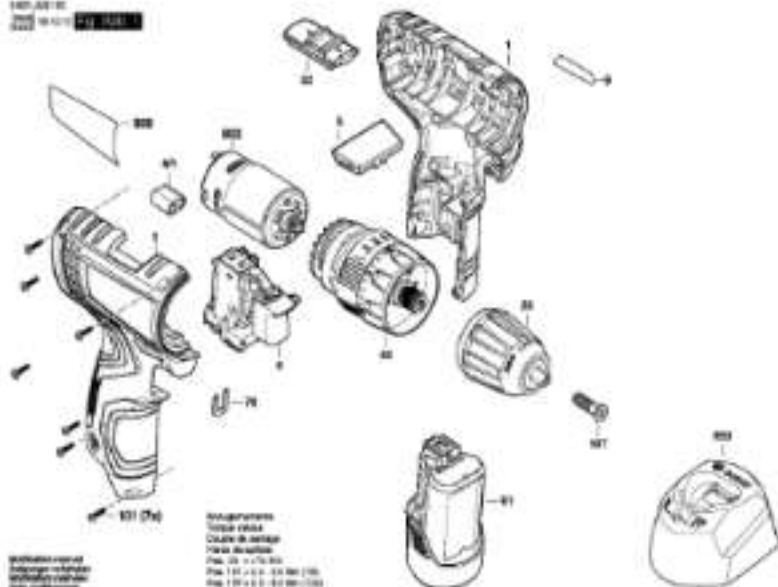
Model: 3 601 J05 1L0 - 18

Item	Pc	Order no.	Description	LF in EUR	Item	Pc	Order no.	Description	LF in EUR
1	1	2 600 101 838	Housing		4523	1	2 600 110 320	Washer	48,00
2	1	1 607 622 976	DC motor	1 377,00	4556	1	2 600 110 321	Washer	48,00
4	1	1 600 401 317	Electronics Module		4808	1	2 600 110 143	Compression Spring	190,00
5	1	2 600 100 566	Button	31,00	4857	1	2 600 110 144	Jack Shaft	623,00
9	1	1 601 110 282	Manufacturers nameplate		4858	1	1 600 210 07H	O-Ring	30,00
10	1	2 600 101 733	Cover	31,00	48820	1	1 600 400 202	Grease Tube 45 ML	1 470,00
45	1	2 600 100 300	Gear Box	2 374,00	48	1	1 600 200 477	Compression Spring	31,00
481	1	2 600 100 266	Housing Assembly	232,00	55	1	2 600 100 301	Strap	30,00
482	1	2 600 101 870	Housing	80,00	91	1	1 607 430 069	Battery Pack GBA 18V	
485	1	2 600 110 607	Ball Bearing	175,00	91	1	2 607 330 603	Slide-In Accu Package	
4810	2	2 600 110 608	Pin	48,00	911322	1	2 601 110 607	Sticker	
4811	2	2 600 110 283	Planet Gear	181,00	100	1	2 600 111 004	Clip	137,00
4812	1	2 600 112 147	Ring Gear	81,00	101	12	2 600 110 201	Tox Flat-Head Screws 3X16	30,00
4830	1	2 600 110 811	Washer	48,00	102	2	2 600 110 828	Nut	39,00
4831	1	2 600 110 812	Washer	48,00	104	4	2 600 400 023	Tox Oval-Head Screws	31,00
4840	1	2 600 110 536	Oil	31,00	105	1	2 600 110 234	Stator	85,00
4841	1	2 600 110 326	Retaining ring	31,00	106	1	2 600 110 242	Screwdriver-Blade	34,00
4842	1	2 600 110 330	Compression Spring	31,00	663	1	1 607 220 537	Fast Charger IN0 GAL	
4843	1	2 600 110 814	Seize	125,00	662	1	1 607 220 243	Fast Charger UK GAL	
4844	2	2 600 110 321	Ball	30,00	802	1	1 600 800 245	Stator	603,00
4845	1	2 600 112 139	Coupling Half	488,00	803	1	1 600 501 509	Rotor	681,00
4880	2	2 600 110 816	Ball	48,00	804	1	1 600 200 478	Contact retainer	487,00
4891	1	2 600 112 142	Striker	480,00	805	1	1 601 114 071	Nameplate	
4892	25	2 600 110 321	Ball	30,00	810	1	1 607 074 139	Carbon-Brush Set	454,00

Please observe: Repairing, modifying and testing of electric tools are to be performed professionally. The safety regulations according to IEC, EN, VDE, AFNOR and other regulations of the individual countries are to be observed. Subject to change.

The price list supersedes all previous editions. Prices are subject to change without any prior notice.

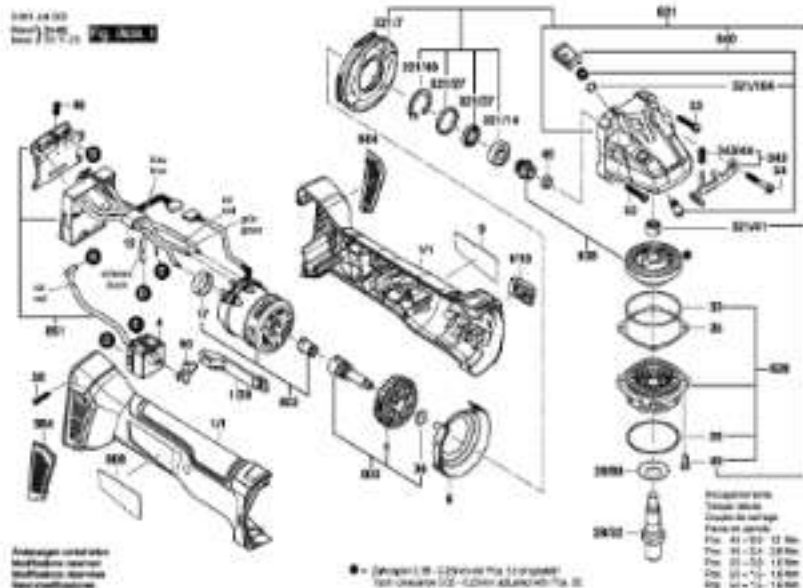
1 601 JGB 180
3 601 JGB 180 | BO



1 / 1

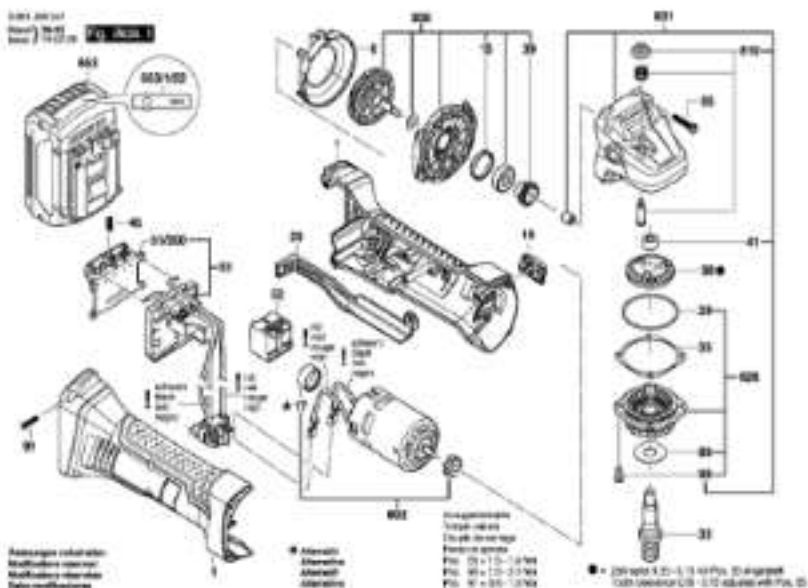
Model: 3 601 JGB 180 - 12

Item	Pc	Order no.	Description	LF in EUR	Item	Pc	Order no.	Description	LF in EUR
1	1	1 601 208 500	Housing	302,00					
4	1	2 607 302 068	Electronic Module						
4	1	2 607 302 600	Switch Assembly	627,00					
6/1	1	1 607 902 554	Female	31,00					
8	1	1 602 401 55U	Chargeover Lever	31,00					
9	1	1 601 110 008	Manufacturer's nameplate						
35	1	2 606 111 312	Keyless Chuck	642,00					
32	1	2 606 166 276	Shiftover Unit	126,00					
46	1	1 600 301 20P	Gear Box	1.001,00					
76	1	2 606 110 638	Clp	30,00					
91	1	1 607 426 006	Battery Pack GBA 12V						
91	1	1 607 426 006	Battery Pack GBA 12.8V						
101	1	2 606 111 490	Socket	35,00					
107	1	2 603 421 226	Countersunk-Head Screw	32,00					
963	1	2 607 328 106	Fast Charger GAL 12V-20						
963	1	2 607 328 159	Fast Charger GB GAL						
963	1	2 607 328 167	Fast Charger EU GAL						
963	1	2 607 328 241	Fast Charger IND GAL						
902	1	1 607 000 07K	Motor Spare Parts Set	692,00					
908	1	1 601 110 611	Nameplate						



Model: 3 601 JJA 002 - 18

Item	Pc	Order no.	Description	LF in EUR	Item	Pc	Order no.	Description	LF in EUR
101	1	1 610 P10 234	Motor Housing	1,043,00	32117	1	1 610 P10 200	Air Distributor	
101A	1	1 610 P10 338	Switch Handle	31,00	32114	1	1 610 P10 088	groove ball bearing	30,00
102	1	1 610 P10 011	Adjusting Sleeve	30,00	32127	1	1 600 200 020	Rubber Ring	23,00
4	1	2 607 200 328	Switch	704,00	32137	1	1 600 400 P17	Holder	45,00
5	1	1 610 P10 041	Fan	149,00	32140	1	1 600 110 211	Retaining clip	50,00
6	1	1 600 001 086	Air-Deflector Ring	128,00	32141	1	1 600 200 020	Plain bearing	31,00
9	1	1 610 P10 207	Manufacturer's nameplate		321104	1	1 600 210 044	O-Ring 4,5X1,0 MM BLUE	30,00
12	1	1 600 400 P02	Ferrite	103,00	343	1	1 607 000 742	Catch Lever	294,00
17	1	1 600 100 P12	Cover	80,00	34344	1	1 604 011 042	Compression Spring	30,00
20	1	1 600 210 100	O-Ring 47,0X1,5 MM	90,00	65011	1	1 610 P10 081	Auxiliary Handle	180,00
20/32	1	1 610 P00 416	Grinding Spindle M 14, 5/8"	349,00	65010	1	1 600 401 001	Quick-Acting Flange	340,00
20/30	1	1 610 P00 200	Cover Disc	70,00	65016	1	1 600 700 014	Clamping Flange	103,00
33	1	1 600 210 026	O-Ring 46,0X1,1 MM	81,00	65010/2	1	1 600 210 088	O-Ring 20,5X1,75 MM	11,00
35	1	1 600 130 014	Shim 0.2 MM THICK	74,00	661	1	1 600 400 030	Protective Cover	120,00
36	1	1 600 130 010	Shim 0.1 MM THICK	74,00	662	1	1 607 200 301	Fast Charger BU GAL	
36	1	1 600 130 015	Shim 0.3 MM THICK	71,00	662	1	1 607 220 621	Charger BU GAL 1000 CV	9,245,00
38	1	1 610 100 023	Washer	40,00	663	1	1 607 400 060	Battery Pack GBA 12V	
46	1	1 610 P17 044	Hex Nut		663	1	1 607 337 059	Battery Pack BBS MR	
48	1	1 600 200 477	Compression Spring	31,00	802	1	1 607 000 044	Motor	4,230,00
48	6	2 314 401 410	Thread-forming Tap Screw	32,00	803	1	1 607 000 040	Revol. Gear Shaft	400,00
50	4	2 600 110 201	Torque Flat-Head Screw SK16	26,00	808	1	1 610 P17 207	Nameplate	
53	3	1 610 P01 080	Torque Oval-Head Screw	31,00	821	1	1 607 000 040	Gear Housing	610,00
54	1	1 607 400 020	Torque Oval-Head Screw	30,00	823	1	1 610 P10 770	Bearing Flange	640,00
55	1	1 600 400 P10	Reverse-Transfer Lever	40,00	833	1	1 607 000 040	Gear Unit	730,00



Model: 3 601 J3A 352 - 18

Item	Pc	Order no.	Description	LF in EUR	Item	Pc	Order no.	Description	LF in EUR
1	1	1 602 102 202	Housing Section 6LUS	720,00	662	1	1 607 225 225	Charger AUS GAL 1250 CV	
2	1	1 602 521 045	Air-Deflector Ring	55,00	663	1	1 607 225 287	Fast Charger CN GAL	
3	1	1 616 P21 073	Manufacturer's nameplate		664	1	1 607 225 325	Fast Charger AUS	4,871,00
15	1	1 602 205 025	Rubber Ring	20,00	665	1	1 607 432 068	Battery Pack GBA 18V	
17	1	1 602 450 191	Cover	35,00	666	1	1 607 237 059	Battery Pack 666 MR	
18	1	1 616 P02 012	Switch Button	20,00	667	1	1 607 432 068	Battery Pack GBA 18V	
20	1	1 616 P12 205	Adjusting Slide	40,00	668-1/22	1	2 601 115 537	Shoer	
22	1	1 616 P02 202	O-Ring 44 DK 1.0 MM	21,00	602	1	1 617 000 880	DC motor 18V	3,950,00
23	1	1 616 P05 616	Grinding Spindle M 14, 50V	327,00	610	1	1 616 P02 373	Push-Button	50,00
24	1	1 616 P02 501	Shim 0.1 MM	21,00	621	1	1 617 000 982	Gear Housing	1,520,00
25	1	1 616 P02 522	Shim 0.2 MM	21,00	623	1	1 617 000 883	Sealing Flange	329,00
26	1	1 616 P12 205	Open Gear	226,00	620	1	1 620 400 081	Set Of Gearwheels	1,400,00
28	1	1 616 P12 207	Bevel Gear	111,00	621	1	1 622 225 297	Auxiliary Handle	112,00
41	1	1 602 200 029	Main bearing	21,00	622	1	1 622 240 043	Round Nut M14	114,00
46	1	1 602 280 477	Compression Spring	81,00	623	1	1 616 P02 327	Pin-Type Face-Wrench	135,00
51	1	1 607 233 342	Electronics Module	2,296,00	625	1	1 625 702 214	Clamping Flange	108,00
61/200	1	1 602 220 472	Contact resistor	487,00	626/2	1	1 620 210 026	O-Ring 20,30x1,78 MM	21,00
62	1	1 607 222 071	On-Off Switch	434,00	626	1	1 616 430 020	Grease Tube 225 ML	1,912,00
65	4	2 002 490 224	Torsion Over-Head Bolts	90,00	627	1	1 622 430 023	Grease Tube 225 ML	1,923,00
66	1	1 616 P02 260	Cover Disc	72,00					
66	4	1 602 435 056	Thread-forming tap, Bore	46,00					
67	4	1 616 P02 219	Tapping Bore	47,00					
69	1	1 602 400 317	Protective Cover Ø125 MM	670,00					
69	1	2 607 225 426	Fast Charger CN						

Please observe: Repairing, modifying and testing of electric tools are to be performed professionally. The safety regulations according to IEC 60335, AFNOR and other regulations of the individual countries are to be observed. Subject to change.

The price list supersedes all previous editions. Prices are subject to change without any prior notice.

Bosch original greases and oils, tested and recommended for Bosch power tools.

Basic guide to correct use of greases and oils in repair

You will find detailed lubrication instructions in the spare part documentation on the internet or on our Service DVD.



BOSCH



What purpose do lubricants serve in a power tool?
Lubricants perform many important tasks: friction and wear reduction, power transfer, cooling, vibration damping, sealing, and corrosion protection. As with all machine parts, lubricants are also subject to aging and wear. They become dirty, overheat or dry out. When this happens, or during every necessary wear repair, they have to be replaced or replenished.

Not all greases are the same, and not all oils are the same.

In addition to a base oil, lubricants usually contain additives which give them certain characteristics.

- ▶ Fluidity
- ▶ Oxidation resistance
- ▶ Friction characteristic

The base oil and the additives are precisely tailored to each other and to the relevant requirements of use. Original greases and oils from Bosch are developed especially for Bosch Power Tools and meet the same high quality standard as the tools themselves.

What has to be observed when greasing and oiling during repairs?

Bosch original greases and oils must not be mixed with each other, nor under any circumstances with non-recommended greases and oils. The specified quantities and the lubrication instructions for each tool must be observed at all times.



Subject to technical alterations.

Your advantages of a grease

Using Bosch original greases and oils during repair pays off:

- ▶ The components of the tool deliver optimum performance
- ▶ Abrasion and wear of the parts are as low as possible
- ▶ The operating time between service intervals is increased
- ▶ The service life of the tool is maximised

Bosch original greases and oils. Tooloil and recommended for Bosch power tools.

How to find the right grease and oil on the internet and on a tool.

You will find all instructions for the greases and oils recommended by Bosch in our spare part documentation. Please note: Repairs must be performed only by trained experts.

Step 1

Use our spare part search via your access to the extreme: <http://partner.bosch.de/en/uk> or on the internet at: www.bosch-professional.co.uk



Step 2

Search for the right spare part list for your tool (by trade name or part number)



Step 3

Under "Technical information" → "Lubrication instructions" you will find the detailed instructions.



There you will find:

- ▶ the 10-digit part number for the suitable grease/oil
- ▶ the position number with which you can easily find the parts you have to lubricate on the spare part drawing
- ▶ the quantity of grease/oil required to perform a repair
- ▶ additional instructions on how to correctly grease/oil the parts during repair. Please note: Make a note of the 10-digit part number for your spare part order

Step 4

Order the right grease/oil straight away with your spare part order.



Search for the part number in the spare part list of the tool or via the "Spare part information" category. Add it to your shopping basket.

Our tip

Do you repair this type of tool quite often? Do you need the information about greasing/oiling as a printout directly at your workplace?

Then simply print the tool-specific drawing and the accompanying lubrication instruction, and you will have all the important information at a glance.



Related to technical literature

How to find the right grease and oil on the Service DVD.

You will find all instructions for the greases and oils recommended by Beach in our spare part documentation. Please note: Repairs must be performed only by trained experts.

Step 1

Use our Service DVD and search for the right spare part list for your tool (by trade name or part number).



Step 2

Order the right grease/oil straightaway with your spare part order.



Simply add the part number to your spare part order.

Step 3

The oil drop () guides you directly to the tool-specific lubrication instructions.

There you will find:

- ▶ the 10-digit part number for the suitable grease/oil
- ▶ the part on number with which you can easily find the parts you have to lubricate on the spare part drawing
- ▶ the quantity of grease/oil required to perform a repair
- ▶ additional instructions on how to correctly grease/oil the parts during repair.

Please note! Make a note of the 10-digit part number for your spare part order.



Our tip

Do you repair this type of tool quite often? Do you need the information about greasing/oiling as a quickout directly at your workplace?

Then simply print the tool-specific drawing and the accompanying lubrication instruction, and you will have all the important information at a glance.





BOSCH

EXPERT CARE WITH ONLINE REPAIR



ONLINE
REPAIR
SERVICE



Free Collection &
Delivery Pan India*
for warranty users



Affordable Repairs,
Real Savings



Quick,
Professional Repair



Repair & Return in
3-5 Days*



24x7 Repair Booking



Digital Payment
Available

LET US TAKE CARE OF YOUR TOOL

Power Tools Service at its best!



[www.bosch.com](#)





BOSCH

AFFORDABLE SPARE PARTS

Tool Model	Tool Type	Bosch Description	Local Description	Pictora	Part No.	2025 List Price
DWS 800	Small Angle Grinder (AG4)	Armature	Motor		1804018658	£ 519
DWS 800	Small Angle Grinder (AG4)	Field	Coil		1804220328	£ 389
CWS 800	Small Angle Grinder (AG4)	Switch	On & off Switch		1801300319	£ 73
CWS 800	Small Angle Grinder (AG4)	Ball Bearing	808 05 (Rubber Seal)		1802000405	£ 38
CWS 800	Small Angle Grinder (AG4)	Grease Ball Bearing	807 205 (Rubber Seal)		1802011226	£ 32
DWS 800	Small Angle Grinder (AG4)	Fan	Armature Fan		1808010141	£ 21
DWS 800	Small Angle Grinder (AG4)	Cable Protector	-		F002021021	£ 21
DWS 800	Small Angle Grinder (AG4)	Brush Holder	Carbon Holder		1818P01811	£ 31
DWS 800	Small Angle Grinder (AG4)	Adjusting Slide	Slack Pad		1802318008	£ 31
DWS 800	Small Angle Grinder (AG4)	Switch Button	Switch Knob		1818P03182	£ 31
DWS 800	Small Angle Grinder (AG4)	Rubber Ring	Armature Front Bearing Rubber Ring		1800208025	£ 29
DWS 800	Small Angle Grinder (AG4)	Intermediate Ring	Armature Front Bearing Rubber Ring		1800202023	£ 71
DWS 800	Small Angle Grinder (AG4)	Grinding Spindle	Spindle		1802323111	£ 89
DWS 800	Small Angle Grinder (AG4)	Gear Housing	Aluminium Housing		1802009488	£ 437
DWS 800	Small Angle Grinder (AG4)	Sealing Flange	Sealing Flange		1818P02105	£ 189
DWS 800	Small Angle Grinder (AG4)	Push-Button	Black Button		1801000288	£ 57
GWS 800	Small Angle Grinder (AG4)	Reset Nut With 2 Pulses	AR Washer Outer		1802008076	£ 34
GWS 800	Small Angle Grinder (AG4)	Coupling Flange	AR Washer Inner		1802303112	£ 44
DWS 800	Small Angle Grinder (AG4)	Bevel Gear Set	Gear Pinion Set		1805A02931	£ 340
CWS 800	Small Angle Grinder (AG4)	Hex-Type Face Wrench	3 Flx Spanner (AG4)		3881100015	£ 38
DWS 800	Small Angle Grinder (AG4)	Motor Housing	Body (Non Breakable)		1818P08172	£ 138
DWS 800	Small Angle Grinder (AG4)	Carbon Brush Set	Carbon (Auto Cut-off)		1807010142	£ 84
CWS 800/1802011226/1802011226	Small Angle Grinder (AG4)	Hex-Type Face Wrench	3 Flx Spanner (AG4)		1801300805	£ 82
Power Supply Cord	Any Product (Up to 800W)	Power Supply Cord	3 Meter Power Cable		F002020191	£ 128
Power Supply Cord	Any Product (Up to 800W)	Wave Cable Connection	2.15 Meter Power Cable		1804880219	£ 128
DWS 2000	Large Angle Grinder (AG7)	Armature	Motor		1804011224	£ 2,781
DWS 2000	Large Angle Grinder (AG7)	Field	Coil		1804220330	£ 1,473
DWS 2000	Large Angle Grinder (AG7)	Switch	On & off Switch		1818P14188	£ 326
DWS 3000/3CO 220/3CO 1424	All Large Angle Grinders/ Cutoff Saws	Brush Holder	Carbon Holder		1804228042	£ 189
DWS 3000/3CO 220/3CO 1424	All Large Angle Grinders/ Cutoff Saws	Carbon Brush Set	Carbon (Auto Cut-off)		1807010141	£ 242
Power Supply Cord	All Tools up to 2200W	Power Supply Cord	2.5 Meter Power Cable		F002021028	£ 209



BOSCH

AFFORDABLE SPARE PARTS

Tool Model	Tool Type	Bosch Description	Local Description	Pictors	Part No.	2023 List Price
GBE 450/201	Impact Drill 16/13 mm	Armature	Rotor		2609120232	1.558
GBE 450/201	Impact Drill 16/13 mm	Field	Coil		2604220118	1.280
GBE 450/201	Impact Drill 16/13 mm	Carbon Brush Set	Carbon (Auto Cut-off)		2610801280	1.45
GBE 450/16 RC	Impact Drill 16 mm	Key Chuck	Chuck 16 mm		1602216012	1.234
GBE 529/201	Impact Drill 13 mm	Key Chuck	Chuck 13 mm		1613FA1608	1.616
GBE 450/201	Impact Drill 16/13 mm	Brush Plate	Carbon Holder Assembly		2609120211	1.231
GBE 450/201	Impact Drill 16/13 mm	Switch	On & off Switch		2607200022	1.211
DHO 8996, 8997 10-82	Plaster	Plaster Knife	Plaster Blade		2609110251	1.238
DHO 8993, 8994 10-82	Plaster	Y-Sub	Plaster Ball		2609100418	1.234
GBL 122-1 AC	Orbital Sander 5"	Rubber Sealing Pad	Velcro Pad 5"		1600601011	1.230
GBH 11 E	Demolition Hammer (Breaker 11 kg)	Impact Mechanism Housing	Aluminum Body		1611000809	18,892
GBH 11 E	Demolition Hammer (Breaker 11 kg)	O-Ring	Hammer Piston/Striker O-Ring		1610210122	1.88
GBH 11 E	Demolition Hammer (Breaker 11 kg)	Stopping Device	Stop		1612300025	1.264
GBH 11 E	Demolition Hammer (Breaker 11 kg)	Armature	Rotor		1619F15104	14,321
GBH 11 E	Demolition Hammer (Breaker 11 kg)	Field	Coil		1619F12230	13,228
GBH 11 E	Demolition Hammer (Breaker 11 kg)	Carbon Brush Set	Carbon (Auto Cut-off)		1611014128	1.261
GBH 11 E	Demolition Hammer (Breaker 11 kg)	Hammer & Gear Part Set	Service Pack/Service Kit		1611000168	11,263
Lubricating Grease	All Hammers	Grease Tube	Narrow Grease		1613400016	1.138
GBH 216	2 Kg Rotary Hammer (up to 28 mm)	Swallow Contact			1611228024	1.42
GBH 200	2 Kg Rotary Hammer (up to 28 mm)	O-Ring	Hammer Piston O-Ring		1610210156	1.25
GBH 200	2 Kg Rotary Hammer (up to 28 mm)	Hammer Piston	Piston		1616100062	1.162
GBH 200	2 Kg Rotary Hammer (up to 28 mm)	Protection Sleeve	Front Cap		1619F21252	1.132
GBH 200	2 Kg Rotary Hammer (up to 28 mm)	Carbon Brush Set	Carbon Brush Set		1619F21111	1.118
GBE 120	Mobile Cutter 4"	Chuck Wrench	Key		1619F10128	1.42
GBE 136/121/241	Mobile Cutter 4", 5"	Bolt	L Nut		1619F6128	1.29
GBE 141	Mobile Cutter 5"	Mounting Flange	AD Washer Inner		1619F21201	1.20
GBE 141	Mobile Cutter 5"	Cleaning Flange	AD Washer Outer		1619F21202	1.21
DHO 182	Hot Air Gun	Heating Element	Heating Coil		1619F21290	1.282
GBE 141	Mobile Cutter 5"	Insulating Cap	Carbon Cap		1619F21292	1.20



BOSCH

WARRANTY GUIDELINES Exclusions

LET US TAKE CARE
OF YOUR TOOL

Power Tool Service at its best!



Service Centers

Spare Part	Images	Non-Manufacturing Defects	Causes / Reasons for Failure	
Armature		Coil Burnt / Segment Damage	Overload	
		Commutator Segment Open / Widened / Worn Out	Debris, Wear, and Damage from Usage	
		Commutator Segment Lift	Debris / Unclean Working	
		Gear Teeth Worn-out	Low Lubricating Grease / Aged Grease	
Field Coil		Coil Burnt / Discolored	Overload	
DC Motors		Burnt / Damaged	Overload	
		DC Motor Pole Shoe Cracked	Mishandling / Drop Damage	
On-Off Switch		Burnt / Short Circuit	Overload	
Speed Governor / Electronics		Burnt / Short Circuit	Overload	
Gear Set		Worn-out / Teeth Damaged	Low Lubricating Grease / Aged Grease	



BOSCH

LET US TAKE CARE OF YOUR TOOL

Power Tools Service at its best!



Genuine, Affordable, Available Spare parts



TOOL GROUP (दूल ग्रुप)	LABOUR CHARGE - लेबर चार्ज	
	Minor Repairs (छोटे रिपेयर)	Major Repairs (बड़े रिपेयर)
SAG, Drills, Impact Drills, Blowers, Cordless... GWS 600, 750, 900... GSB 10, 13, 501, 800... GBM 6, 10, 13-2... GGS 3000, 5000, 2B... GBL 820, 800, GHG 500, 630... GSB, GSR, GDR, GDS, GDX...	₹ 100	₹ 150
LAG, Bench Grinder... GWS 1B, 2000, 20, 23, 24, 26... GBR 15, GBG 35, 60... GPO 12, 950...	₹ 150	₹ 275
Rotary Hammers 2, 3Kg, Jig Saw, Circular Saw... GBH 200, 2-18, 2-26, 2-28, 3-28... GKS 235, GSA 1100, 1300, GST 65, 85, 150... GDS 18, GEX 125, 150... GAS 35, 55...	₹ 150	₹ 250
Aquatak, Nibbler, Shear, Planers, Sanders, Router... Aquatak 100, 110, 120, 130... GNA, GSC... GHO 10, 26, 32, 6500... GSS 140, 2300... GKF 550, POF 1400...	₹ 150	₹ 250
Bench Top, Heavy Duty Drills, Chain Saw... GCO 200, 220, 14-24... GCM 10, 12... GBM 23, 32... GKE 35...	₹ 200	₹ 300
Demolition Hammer, Rotary Hammers 4, 5, 8Kg... GSH 5, 500... GBH 4, 5, 8-45...	₹ 200	₹ 300
Demolition Hammer, Rotary Hammers 10Kg... GSH 11, 12, 16 & 27... GBH 11, 12... GTS 10J...	₹ 200	₹ 375
Core Cutters, HPW... GDB 180, 350... GHP 5-13, 5-65, 75, 8-15XD...	₹ 250	₹ 400

Note

- The above chart gives the labour cost rate of common tools.
- The Service Center will charge labour cost to the customers as per the above chart only.
- For tools other than the one mentioned in the chart, labour cost should be charged by referring to the appropriate Tool Group.

नोट

- उपरोक्त चार्ट सामान्य दूलों के लेबर चार्ज दर देता है।
- ग्राहकों को उपरोक्त चार्ट के अनुसार लेबर चार्ज देना होगा।
- चार्ट में उल्लेखित दूलों के अलावा अन्य दूलों के लेबर चार्ज दरों के लिए संबंधित दूल ग्रुप से लेबर चार्ज दरों की जांच करनी होगी।

Issued in Customer Interest by Bosch Power Tools, Service
(ग्राहकों के हित में जारी किया गया है)



BOSCH

**Creating a brand footprint through
world-class service and customer delight!**



SCAN HERE TO
KNOW MORE



Bosch Limited, Power Tools Division
Post Box No. 3000, Hesur Road, Adugodi, Bangalore,
Karnataka- 560030

Toll Free Number:
1800 425 8665